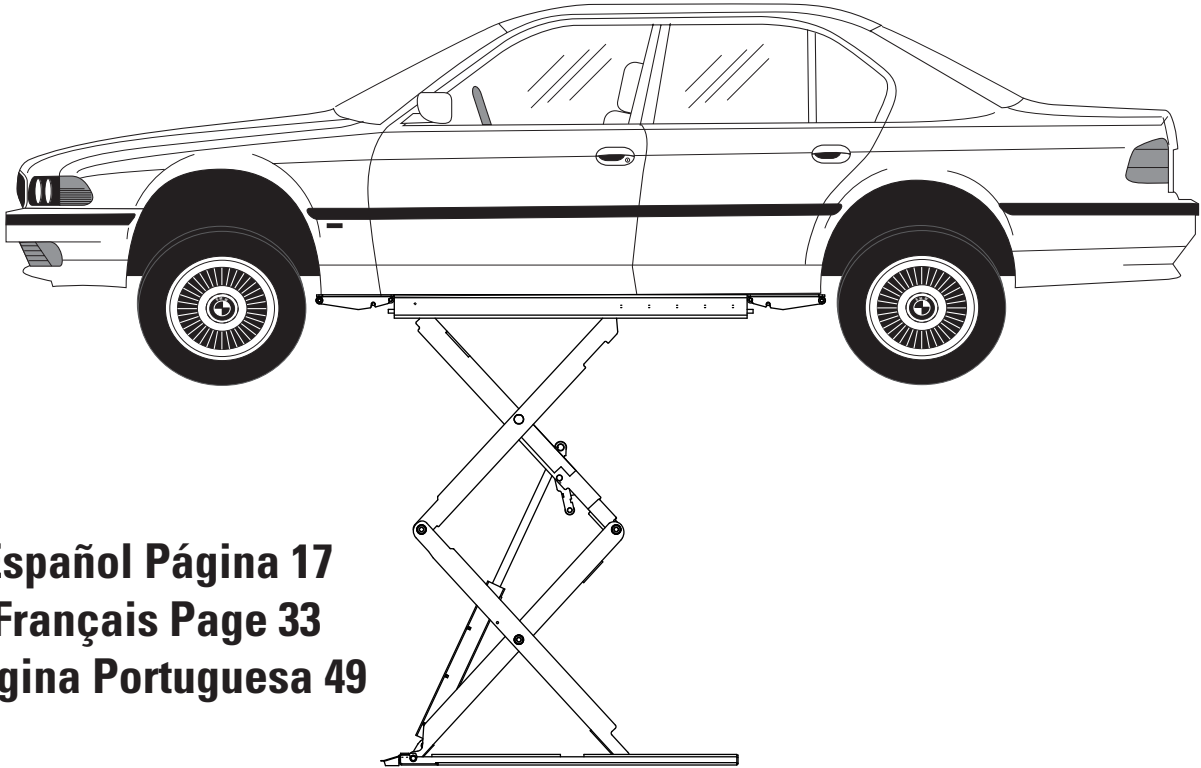


Parts Breakdown

Double Section Scissor Lift

(000 Series)

Capacity 7,700 lbs (3,500 kg)
(Maximum 3,850 lbs (1,750 kg) per pad)



Español Página 17
Français Page 33
Página Portuguesa 49

OWNERS RECORD
Complete information
at right and keep in
a safe place.

Date Installed _____

Installed in Bay # _____

Power Unit Serial # _____

Power Unit Model # _____

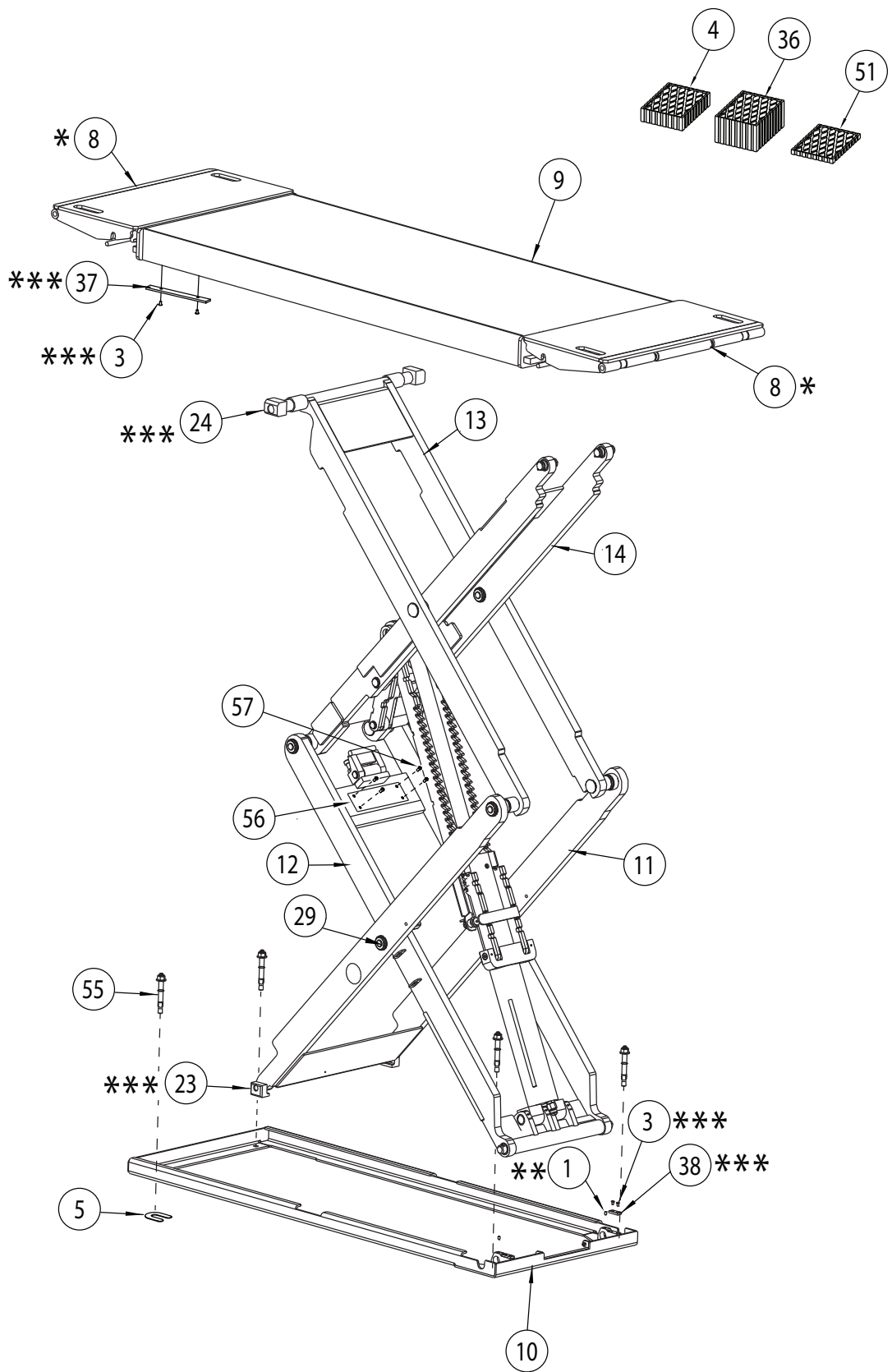
Lift Serial # _____

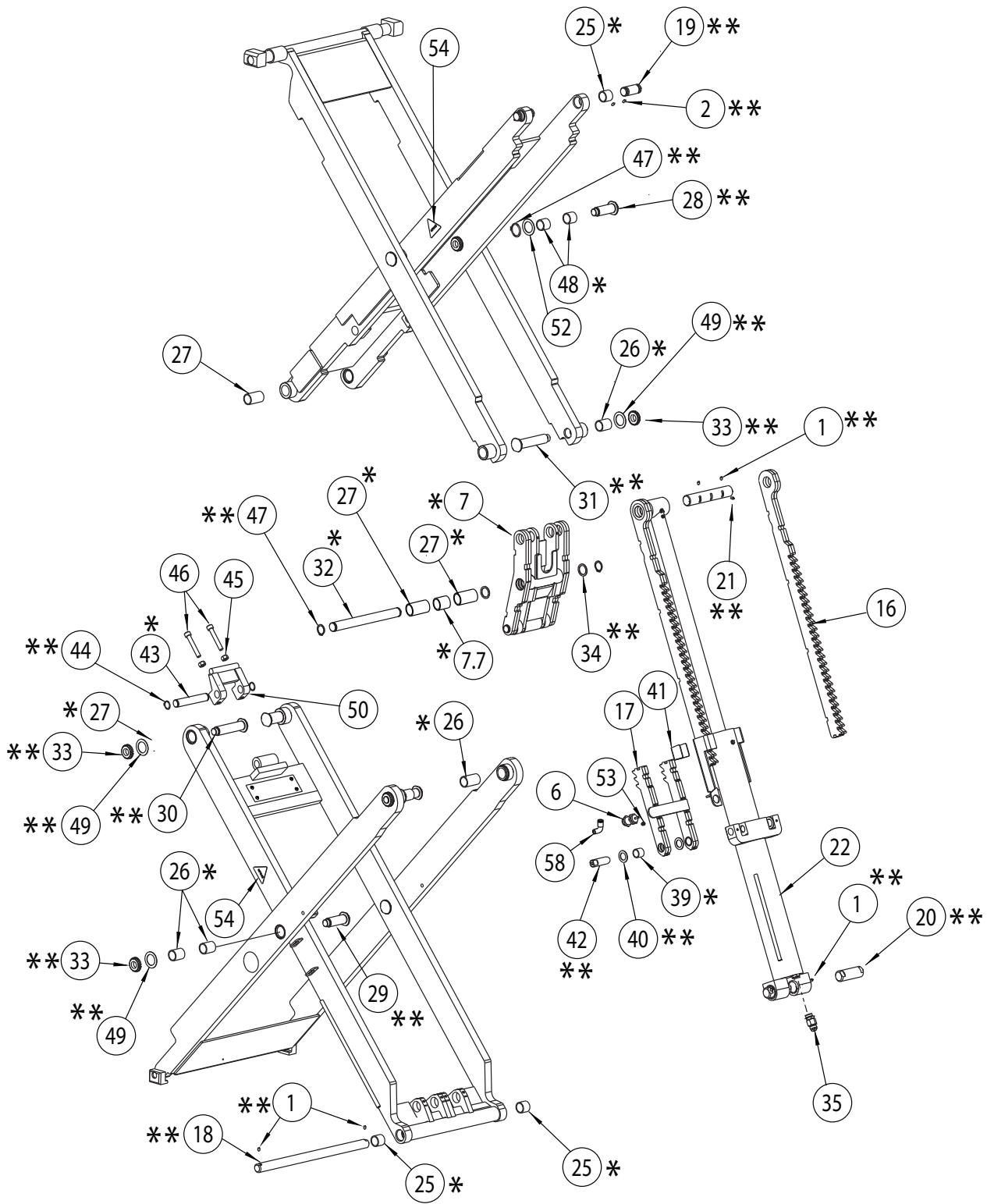
Lift Model # _____

NOTE: For replacement parts -See your nearest Rotary Parts Distributor.

LP20632

ITEM	PART NO.	DESCRIPTION
1	B21-6X10	HEX SOCKET SET SCREW WITH FLAT HEAD M6X10
2	B22-6X10	HEX SOCKET HEAD SCREW WITH POINT HEAD M6X10
3	B26-5X10	SOCKET FLAT HEAD COUNTERSUNK MS M5X10
4	FJ2427	RUBBER BLOCK
5	30400-1025	SHIM
6	ML50-1605	LOCK RELEASE AIR CYLINDER
7	XX110001	KICKER ASSEMBLY
8	XX110036	RAMP ASSEMBLY
9	XX120001	PLATFORM WELDMENT
10	XX120002	BASE WELDMENT
11	XX120003	SCISSOR LEG WELD
12	XX120004	SCISSOR LEG WELD
13	XX120120	SCISSOR LEG WELD
14	XX120130	SCISSOR LEG WELD
16	XX120023	LIFT LOCKS WELDMENT
17	XX120024	LOCK JAW BAR WELD
18	XX130080	PIN, LONG
19	XX130081	PIN, LONG
20	XX130082	LOWER CYLINDER PIN
21	XX130086	UPPER CYLINDER PIN
22	XX140005	CYLINDER
23	XX140007	SLIDER BLOCK(LOWER)
24	XX140008	UPPER SLIDER BLOCK
25	XX140014Y	BEARING, 25 DIAM. X 25 LONG
26	XX140015Y	BEARING, 25 DIAM. X 35 LONG
27	XX140019Y	BEARING, 25 DIAM. X 50 LONG
28	XX140021	UPPER CENTER PIN
29	XX140022	LOWER CENTER PIN
30	XX140023	PIN, LONG
31	XX140024	PIN, SHORT
32	XX140025	KICKER CENTER PIN
33	XG130007	M20x1.0 SLOTTED ROUND LOCKNUT
34	XX140029	WASHER, THIN PLASTIC
35	XX140080	VELOCITY FUSE
36	FJ2428	RUBBER BLOCK
37	XX140047	PLATFORM BUMPER
38	XX140048	PLATFORM RAIL
39	XX140053Y	BEARING, 20 DIAM. X 20 LONG
40	XX140054	WASHER, THIN PLASTIC
41	XX140055	SLIDER BLOCK
42	XX140056	PIN
43	XX130214	PIN
44	B60-20	SNAP RING
45	B30-10	NUT
46	B201-10X65	HEX BOLT M10 X 65
47	B63-25	SNAP RING
48	XX140062	BEARING, 25 DIAM. X 30 LONG
49	K35-7010	Ø19 WASHER
50	XX130210	CUSHION WELDMENT
51	SB700071Y	RUBBER BLOCK
52	B41-24	Ø24 WASHER
53	B35-5	M5 NUT
54	NP945	NAMEPLATE
55	FJ1009	ANCHOR
56	XX130225	STAINLESS STEEL PLATE
57	B25-6X12	M6 X 12 SCREW
58	FJ895	ELBOW

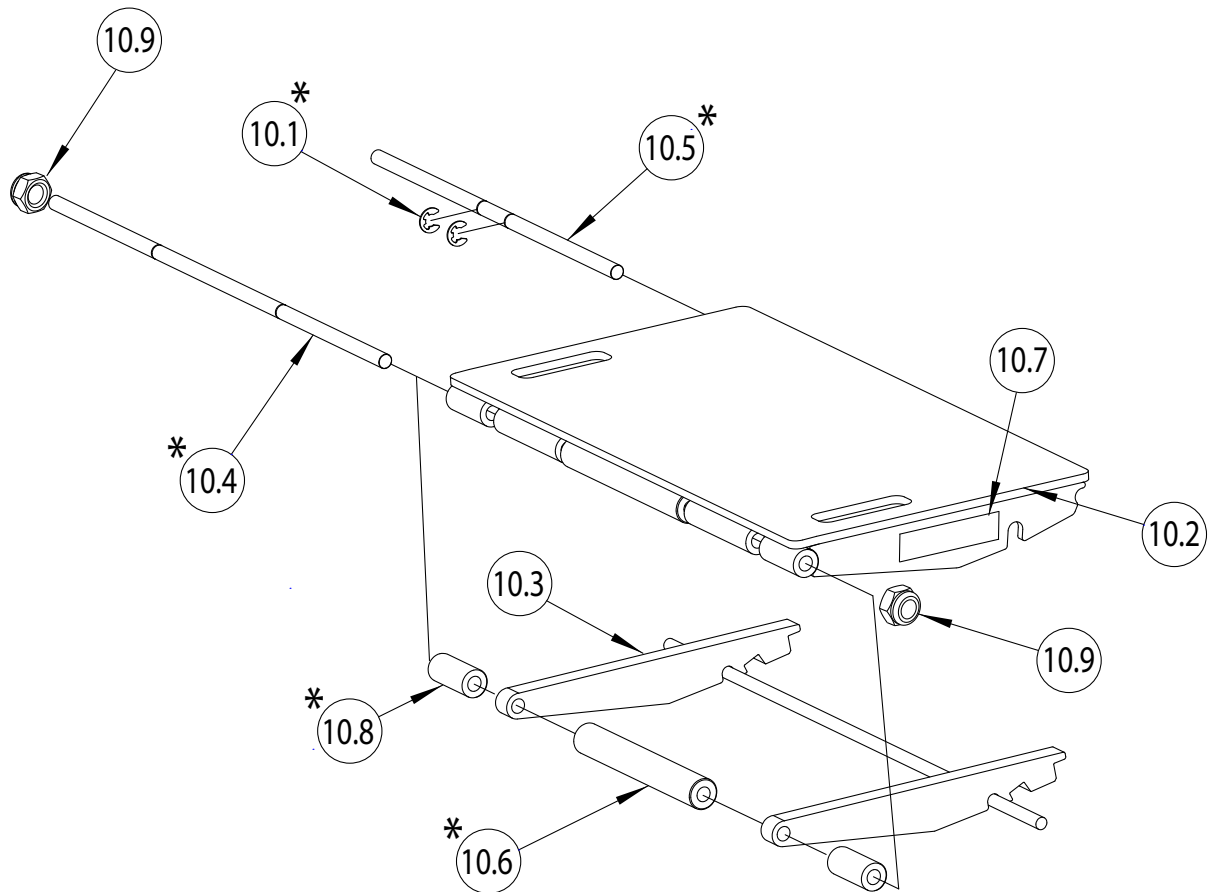




* NOTE: XX100011 REPLACEMENT BEARING KIT INCLUDES ANNOTATED BEARINGS ABOVE FOR **ONE** PLATFORM. FOR ENTIRE LIFT **TWO** BEARING KITS MUST BE ORDERED.

** NOTE: XX100007 REPLACEMENT PIN KIT INCLUDES ANNOTATED PINS ABOVE FOR **ONE** PLATFORM. FOR ENTIRE LIFT **TWO** PIN KITS MUST BE ORDERED.

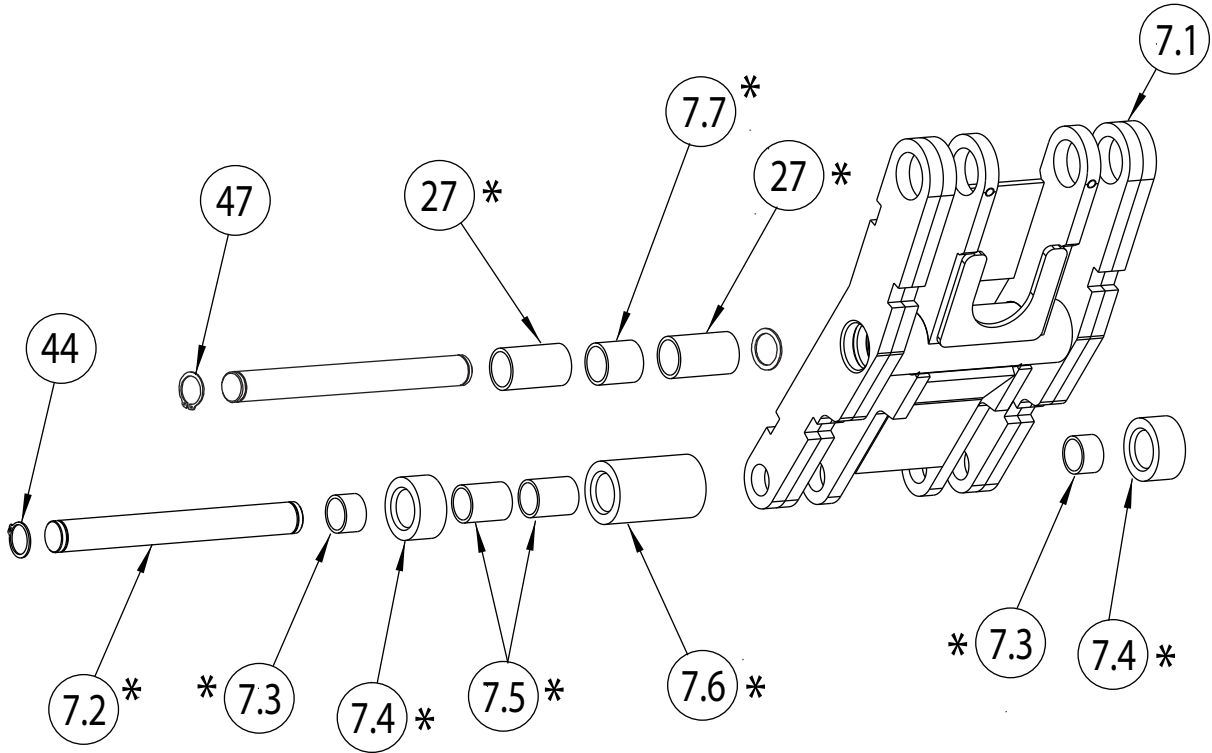
*** NOTE: XX100017 REPLACEMENT SLIDER KIT INCLUDES ANNOTATED SLIDERS ABOVE FOR **BOTH** PLATFORMS (ENTIRE LIFT).



RAMP ASSEMBLY

ITEM	PART NO.	DESCRIPTION
10.1	B61-12	E-CLIP 14MM
10.2	XX120007	RAMP WELDMENT
10.3	XX120008	RAMP SUPPORT WELDMENT
10.4	XX140041	RAMP ROLLER SHAFT
10.5	XX130064	RAMP ROLLER SHAFT
10.6	XX140009	RAMP ROLLER
10.7	NP1207	NAME PLATE
10.8	XX130236	SMALL ROLLER
10.9	B33-12	M12 NYLON LOCK NUT

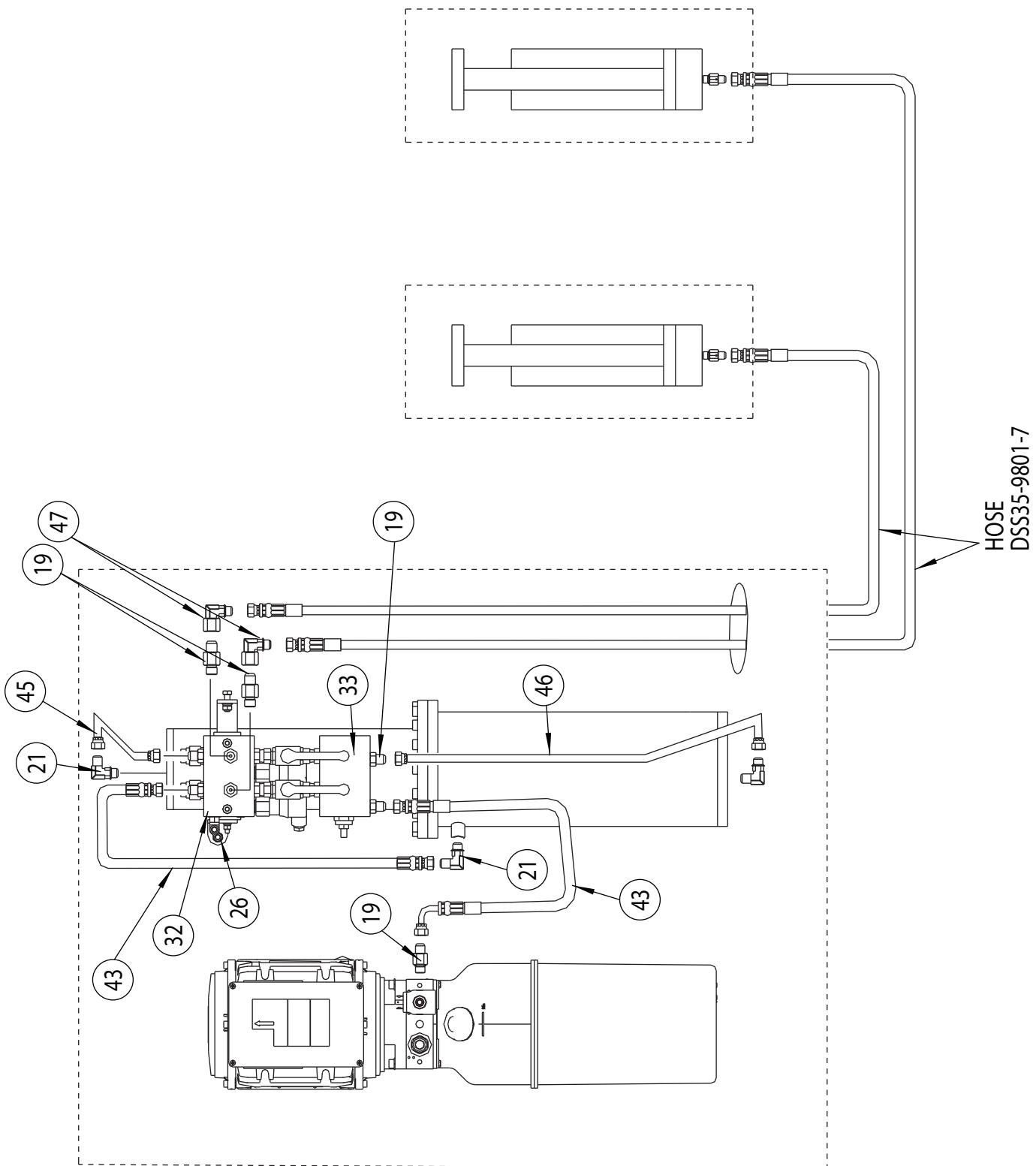
* NOTE: XX100040 REPLACEMENT RAMP ROLLER KIT INCLUDES ANNOTATED ROLLER AND ROLLER SHAFT PARTS FOR FOUR RAMPS.

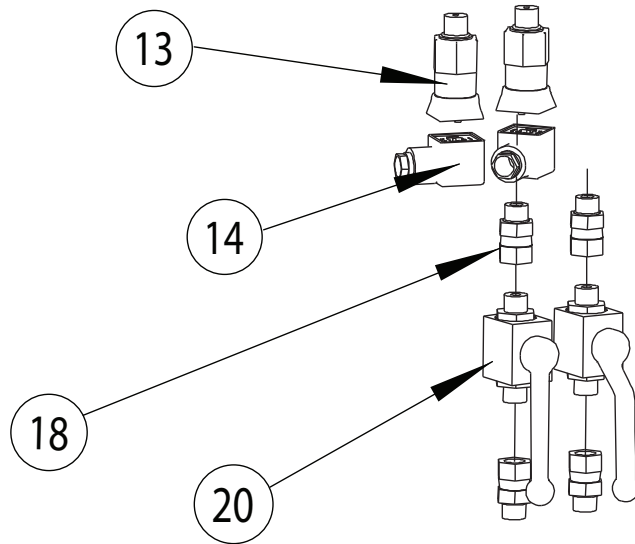


KICKER ASSEMBLY

ITEM	PART NO.	DESCRIPTION
7.1	XX120009	KICKER WELD
7.2	XX130036	ROLLER PIN
7.3	XX140060	BEARING, 20 DIAM. X 15 LONG
7.4	XX140020	ROLLER
7.5	XX140059	BEARING, 25 DIAM. X 30 LONG
7.6	XX140004	ROLLER
7.7	XX140067Y	BEARING, 25 DIAM. X 70 LONG

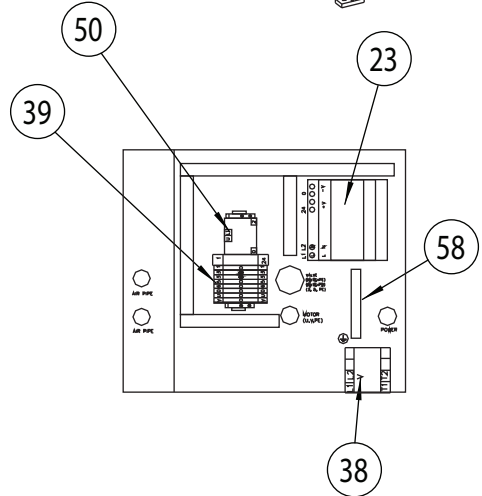
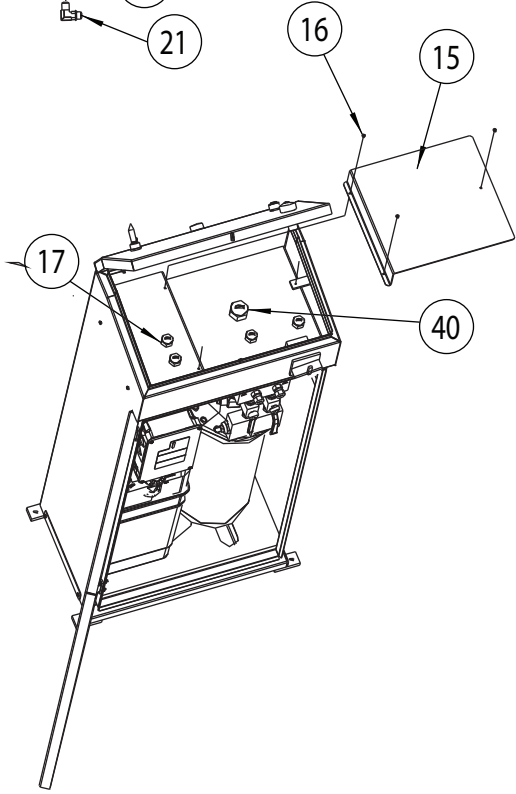
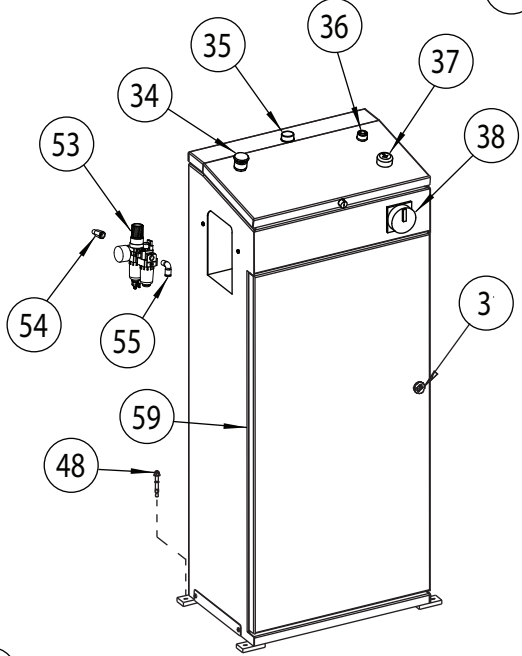
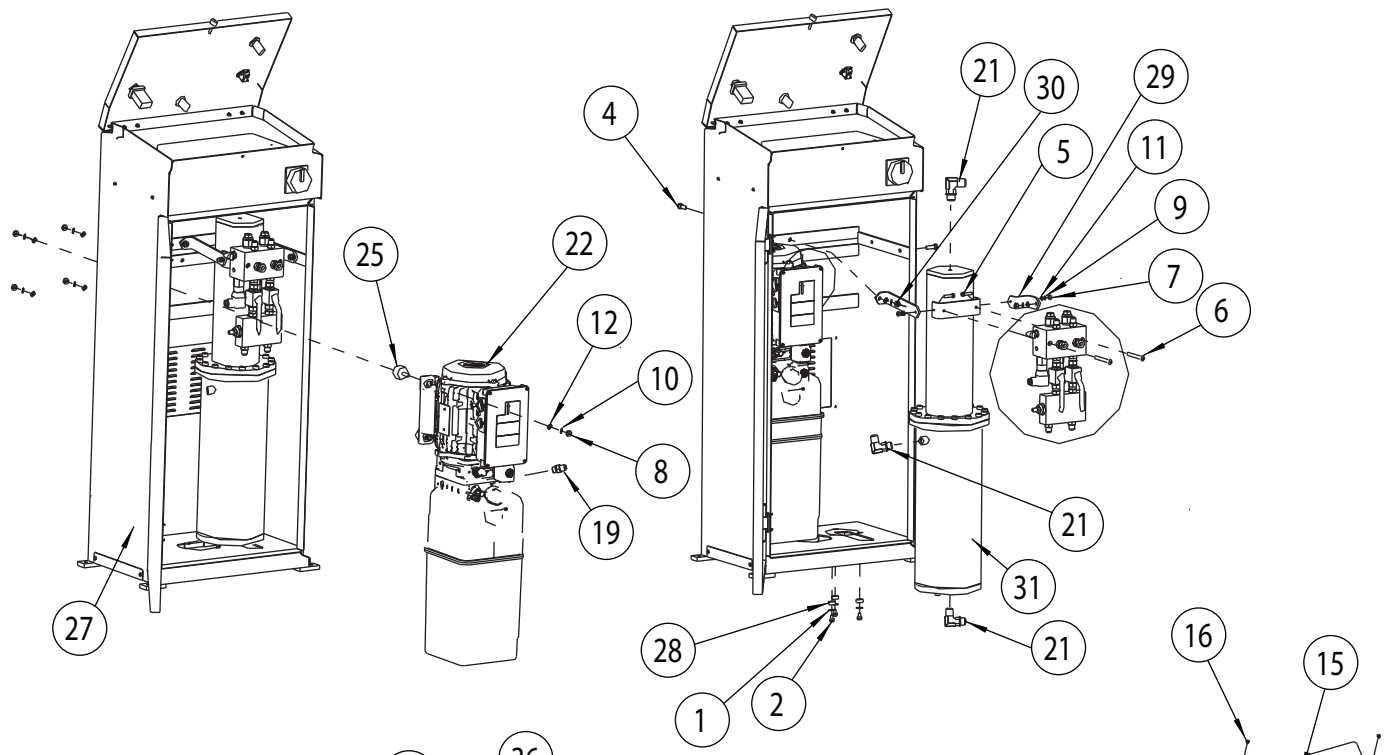
* NOTE: XX100008 REPLACEMENT ROLLER KIT INCLUDES ANNOTATED ROLLER SHAFT AND BEARING PARTS FOR TWO PLATFORMS.



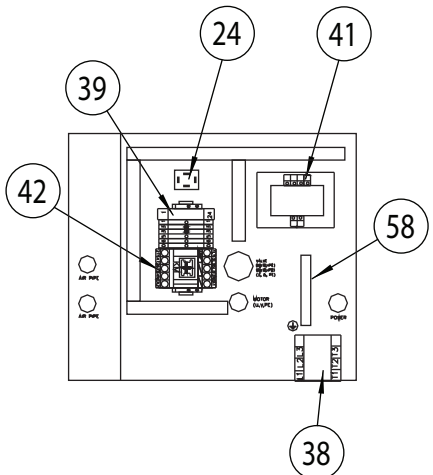


ITEM	QTY	PART NO.	DESCRIPTION
13	2	BAF-SR-65-C-H-9-UL	PRESSURE SWITCH
14	2	C18311N21	DIN CONNECTOR
18	4	DSS35-9802-1	FITTING
20	2	3288813	BALL VALVE

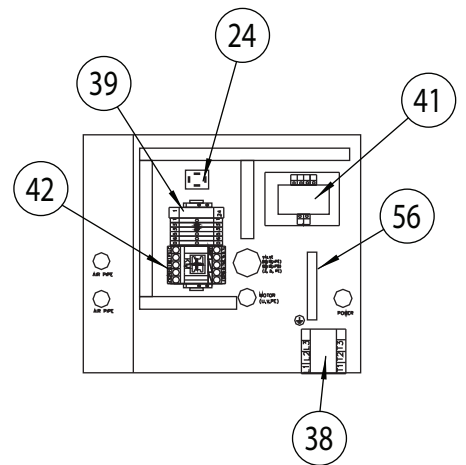
ITEM	PART NO.	DESCRIPTION	ITEM	PART NO.	DESCRIPTION
1	B42-8	8MM BIG WASHER	31	XX140058	MASTER CYLINDER
2	B10-6X12	FLANGE HEX BOLT M6X12	32	FKZJ-201C	MANIFOLD
3	MS715-9-H02	LATCH	33	FKZJ-201B	MANIFOLD
	AB302	LATCH LOCK FOR OLDER MODELS	34	XX140065	LOCK RELEASE AIR VALVE
4	B10-8X25	HEX HEAD BOLT M8X25	35	DQ-QJ-00038	POWER LIGHT
5	B10-6X25	HEX HEAD BOLT M6X25	36	DQ-QJ-00002	RISE PUSH BUTTON (XX110018)
6	B20-8X70	HEX SOCKET HEAD CAP SCREW M8X70	37	DQ-QJ-00001	DOWN PUSH BUTTON (XX110018)
7	B30-6	HEX NUT M6	38	DQ-QJ-00034	DISCONNECT SWITCH
8	B30-8	HEX NUT M8	39	DQ-QJ-00050	TERMINAL BLOCK (XX110017, XX110020)
9	B40-6	LOCK WASHER 6		DQ-QJ-00055	TERMINAL BLOCK (XX110018)
10	B40-8	LOCK WASHER 8	40	AG-25W	LOCK NUT
11	B41-6	FLAT WASHER 6	41	XX100026	TRANSFORMER (XX110018)
12	B41-8	FLAT WASHER		DQ-QJ-00035	TRANSFORMER (XX110018)
13	BAF-5R-6S-C-H-9-UL	PRESSURE SWITCH	42	DQ-QJ-00005	CONTACTOR (XX110018)
14	C18311N21	DIN CONNECTOR	43	DBS35-9801-1	HYDRAULIC HOSE
15	XX130195	ELECTRIC COVER	44	XX140037	VELOCITY FUSE
16	B23-4X6	SCREW 4X6, PHMS	45	DSS35-9801-5	HYDRAULIC STEEL PIPE
17	PG135	CORD GRIP	46	DSS35-9801-6	HYDRAULIC STEEL PIPE
18	DSS35-9802-1	FITTING	47	M130028Y	ELBOW FITTING
19	FJ7352-3	ADAPTER	48	B14-3/8X70	CABINET ANCHOR
20	3288813	BALL VALVE	49	NA	NA
21	SW-002	ELBOW FITTING	50	DQ-QJ-00052	POWER RELAY
22	P3668	1Ø 60Hz 220V POWER UNIT	51	DR-100-24	SWITCH POWER SUPPLY
	P3671	1Ø 50Hz 220V POWER UNIT	52	KBPC2510	BRIDGE RECTIFIER
	P3660	3Ø 50/60Hz 460V POWER UNIT	53	S130405	FILTER-REGULATOR-LUBRICATOR
23	DQ-QJ-00053	SWITCH POWER SUPPLY (DR-100-24)	54	EPC6-N02	MALE CONNECTOR
24	DQ-QJ-00056	BRIDGE RECTIFIER (KBPC2510)	55	EPL6-N02	MALE ELBOW
25	PV-2005	POWER UNIT CONNECT ROD WITH BUMPER	56	DQ-QJ-00046	GROUNDING BAR
26	EPC8-G02	AIR FITTING -Y	57	FA9194	DIODE (XX110017) (NOT SHOWN)
27	XX110014	CABINET, USA VERSION	58	XX140078	FLOW CONTROL O-RING (NOT SHOWN)
28	XX130178	CABINET CYLINDER BUSHING	59	XX100041	HINGE REPLACEMENT KIT (NOT SHOWN)
29	XX130179	CABINET CYLINDER BRACKET			
30	XX130190	CABINET CYLINDER BRACKET			



XX110017, XX110020
(Single Phase)

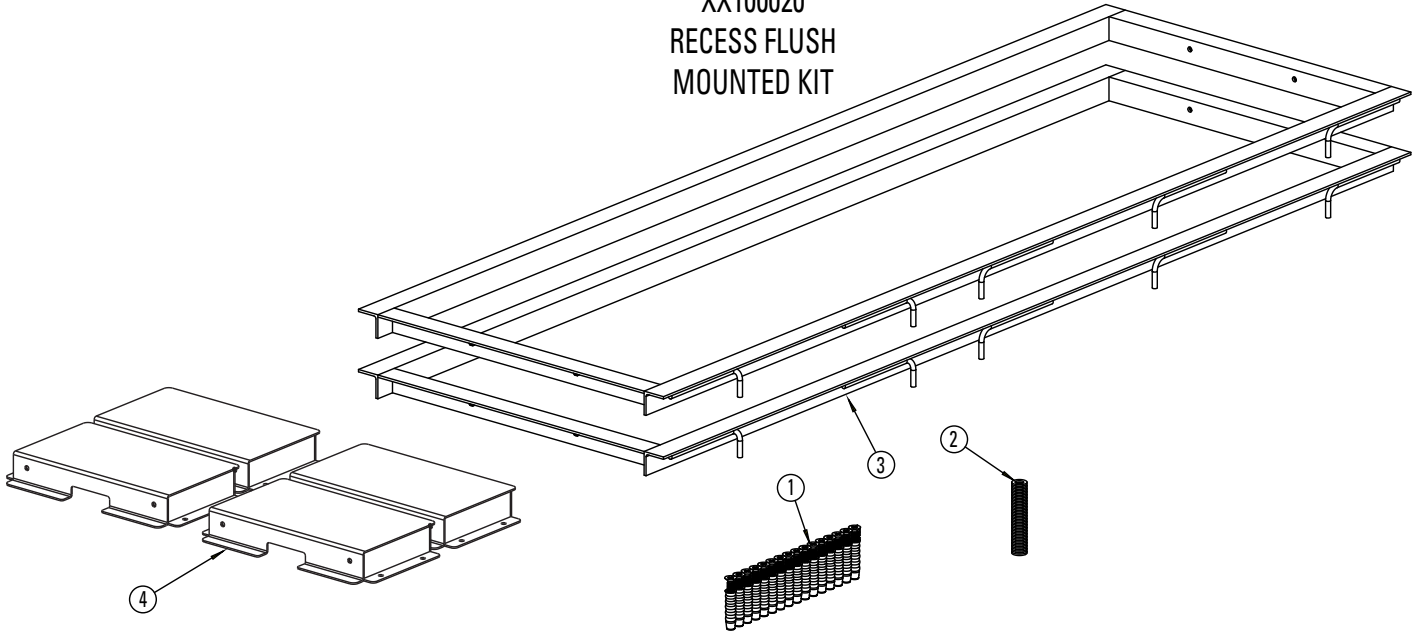


XX110018 WITH XX100026
(Three Phase)

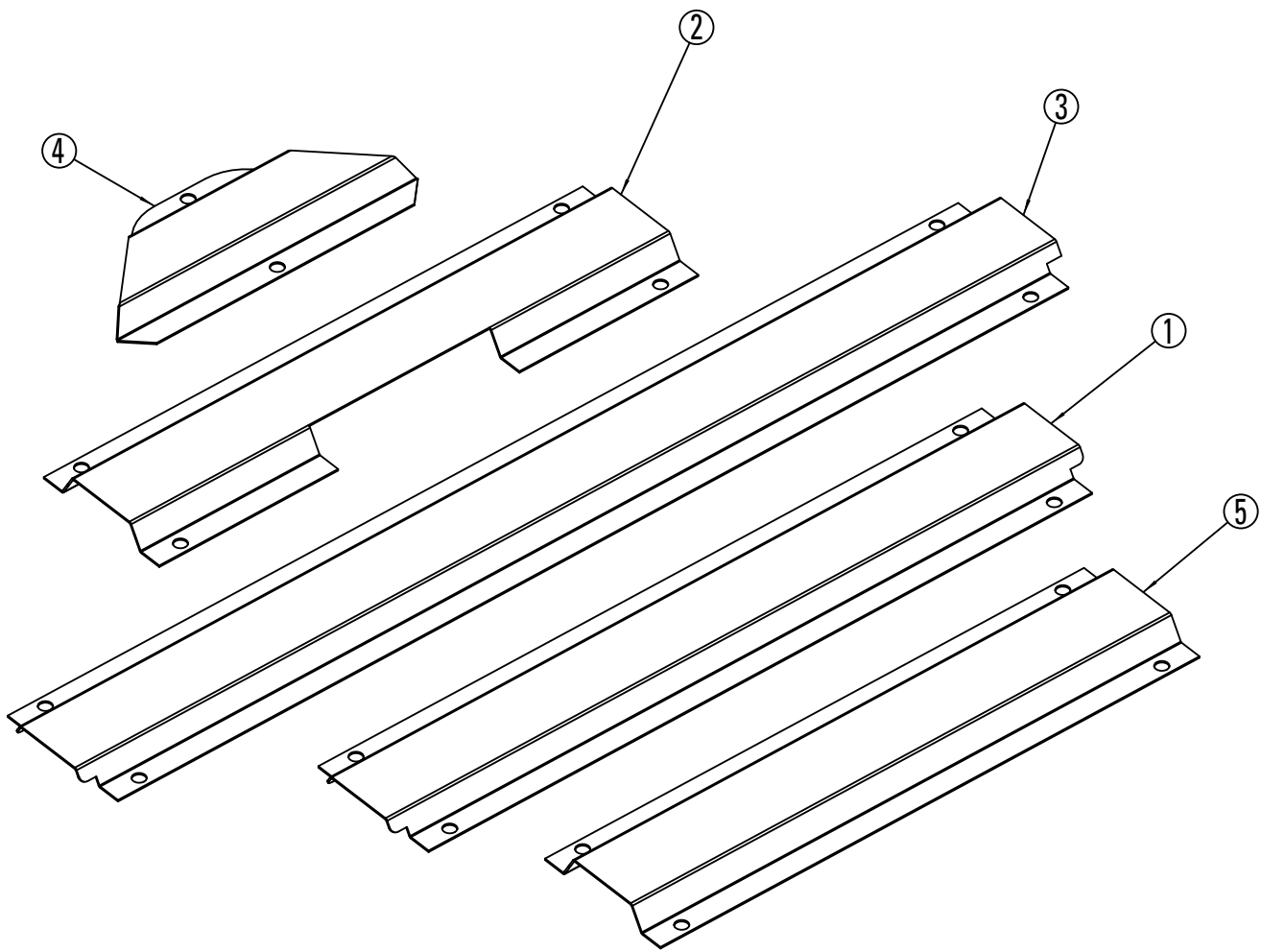


XX110018
(Three Phase)

XX100020
RECESS FLUSH
MOUNTED KIT



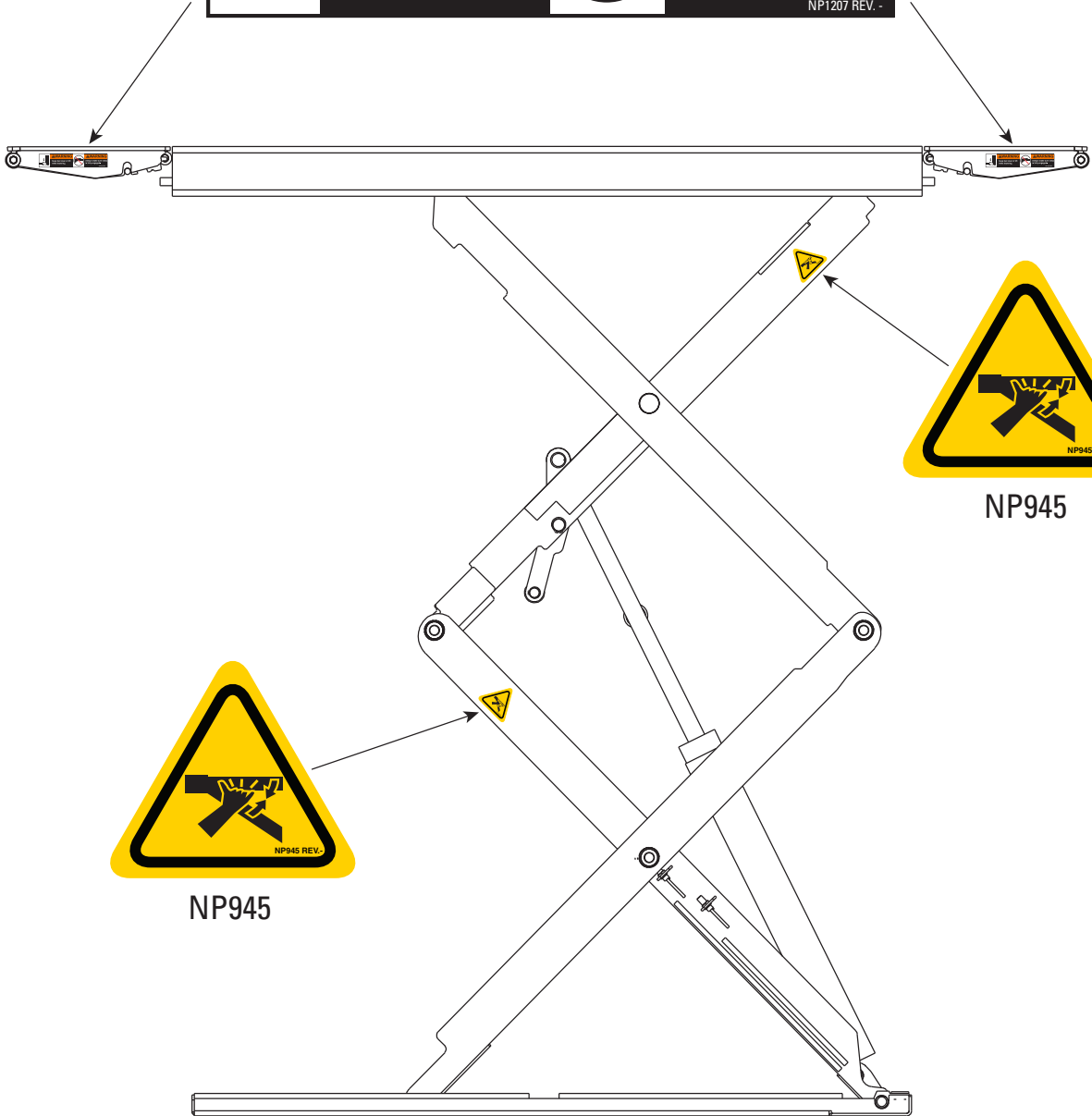
ITEM	QTY	PART NO.	DESCRIPTION
1	16	B14B-6X40	NYLON ANCHOR
2	16	B41-8	FLAT WASHER $\varnothing 8$
3	2	XX120022	RECESS WELDMENT
4	4	XX120030	RECESS BOX WELDMENT



ITEM	QTY	PART NO.	DESCRIPTION
1	2	XX130091Y	HOSE COVER
2	2	XX130092Y	HOSE COVER
3	2	XX130111Y	HOSE COVER
4	1	XX130141Y	HOSE COVER 45°
5	2	XX130156Y	HOSE COVER

NP1207

	⚠ WARNING Keep feet clear of lift while lowering.		⚠ WARNING Always make sure ramp is fully engaged. <small>NP1207 REV. -</small>
---	---	---	---



⚠ WARNING

This unit is supplied by more than one source of energy. Be sure to disconnect all energy sources at main power supply using appropriate lockout/tagout procedures. Before servicing this control panel the lift **MUST** be lowered. Only allow qualified lift service personnel to service control panel.

NP715

CAPACITY
7700 LBS.
(3500 Kg.)

NP1190 Rev. A



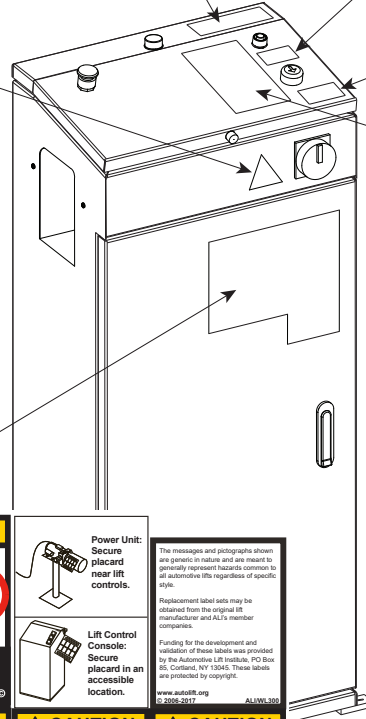
NP584

- Warning label pictographs used with permission of the Automotive Lift Institute.
- Pictografías de etiquetas de advertencia utilizadas con permiso del Automotive Lift Institute.
- Pictogrammes d'avertissement utilisés avec la permission du Automotive Lift Institute.
- Pictogramas de advertência usados com permissão do Automotive Lift Institute.

NOTICE

If attachments, accessories, or configuration modifying components used on this lift are located in the load path and affect operation of the lift, affect the lift electrical listing, or affect intended vehicle accommodation; and if they are not certified for use on this lift, then the certification of this lift shall become null and void. Contact the participant for information pertaining to certified attachments, accessories, or configuration modifying components.

www.autolift.org ©2011 by ALI, Inc. ALI/WLSIA01



ALI WL300

⚠ WARNING Position vehicle with center of gravity midway between adapters.	⚠ WARNING Remain clear of lift when raising or lowering vehicle.	⚠ WARNING Keep feet clear of lift while lowering.	⚠ CAUTION Lift to be used by trained operator only.	Power Unit: Secure placard near lift controls.	<small>The messages and pictographs shown are generic in nature and are meant to generally represent hazards common to all automotive lifts regardless of specific style.</small>
⚠ WARNING Clear area if vehicle is in danger of falling.	⚠ WARNING Avoid excessive rocking of vehicle while on lift.	⚠ WARNING Keep clear of pinch points when lift is moving.	⚠ CAUTION Authorized personnel only in lift area.	Lift Control Console: Secure placard in an accessible location.	<small>Replacement label sets may be obtained from the original lift manufacturer and ALI's member companies.</small>
⚠ CAUTION Use vehicle manufacturer's lift points.	⚠ CAUTION Always use safety stands when removing or installing heavy components.	⚠ CAUTION Read operating and safety manuals before using lift.	⚠ CAUTION Proper maintenance and inspection is necessary for safe operation.	⚠ CAUTION Do not operate a damaged lift.	<small>Funding for the development and validation of these labels was provided by the Automotive Lift Institute, 400 Bush 85, Cortland, NY 13845. These labels are protected by copyright.</small>

! Read and heed all Warning, Caution and Safety Instruction, on lift. Comply with all Health and Safety regulations.

📖 The lift must be used for its intended purpose. Refer to the operating manual. The lift may only be operated by authorized staff.

🔒 The main switch is also an emergency stop switch. In case of emergency, turn the switch to "0". Secure the lift against unauthorized use by locking the main switch.

📏 Do not exceed the load capacity specified on the nameplate. The weight distribution of each platform may not exceed the value given in the operating manual.

🚫

🔒 Always lower to locks Fully lower lift before loading

🚫 Check lift operation before use. Center vehicle on platforms, there must be no obstructions on or near lift while raising or lowering.

🚫 Do not leave lift at full rise for long periods. Always lower to locks.

🚫 Vehicle doors **MUST** be closed. Do not loiter around lift while in operation. Do not climb on raised vehicle or lift.

🔑 Press "LOWER" button and "LOCK RELEASE" button to lower lift. Lift must be raised initially off locks before lowering.

TROUBLESHOOTING AND MAINTENANCE Refer to the Operating and Service Manual.

NP1188 Rev. A

Notes

Vehicle Service GroupSM
2700 Lanier Drive
Madison, IN 47250, USA
1-800-640-5438
www.vsgdover.com



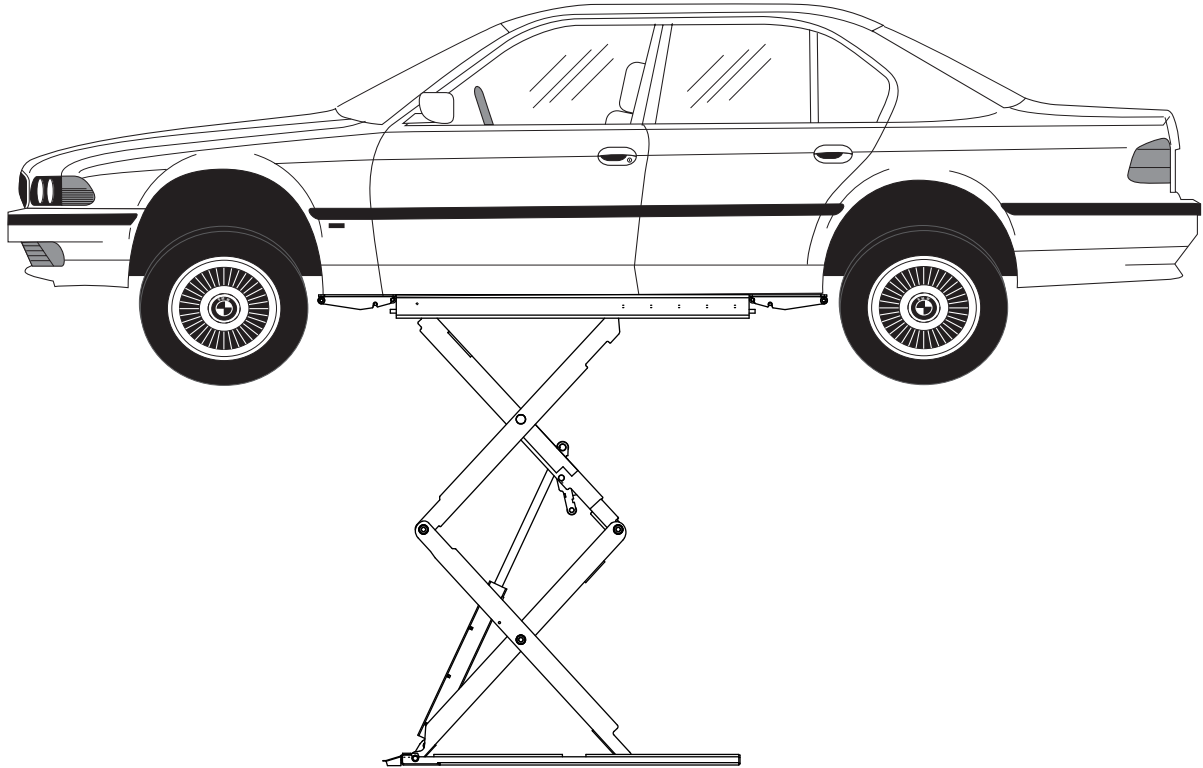
© **Vehicle Service GroupSM**
All Rights Reserved. Unless otherwise
indicated, **Vehicle Service GroupSM**,
and all other trademarks are property
of Dover Corporation and its affiliates.

Avería de partes

Elevador de tijera de sección doble

(Serie 000)

Capacidad 7.700 libras (3.500 kg)
(Máximo 3.850 libras (1.750 kg) por plataforma)



REGISTRO DEL PROPIETARIO

Complete la información
a la derecha y guárdela en
un lugar seguro.

Fecha de Instalación _____

Instalado en la Bahía No. _____

No. de Serie de la Unidad de Energía _____

No. de Modelo de la Unidad de Energía _____

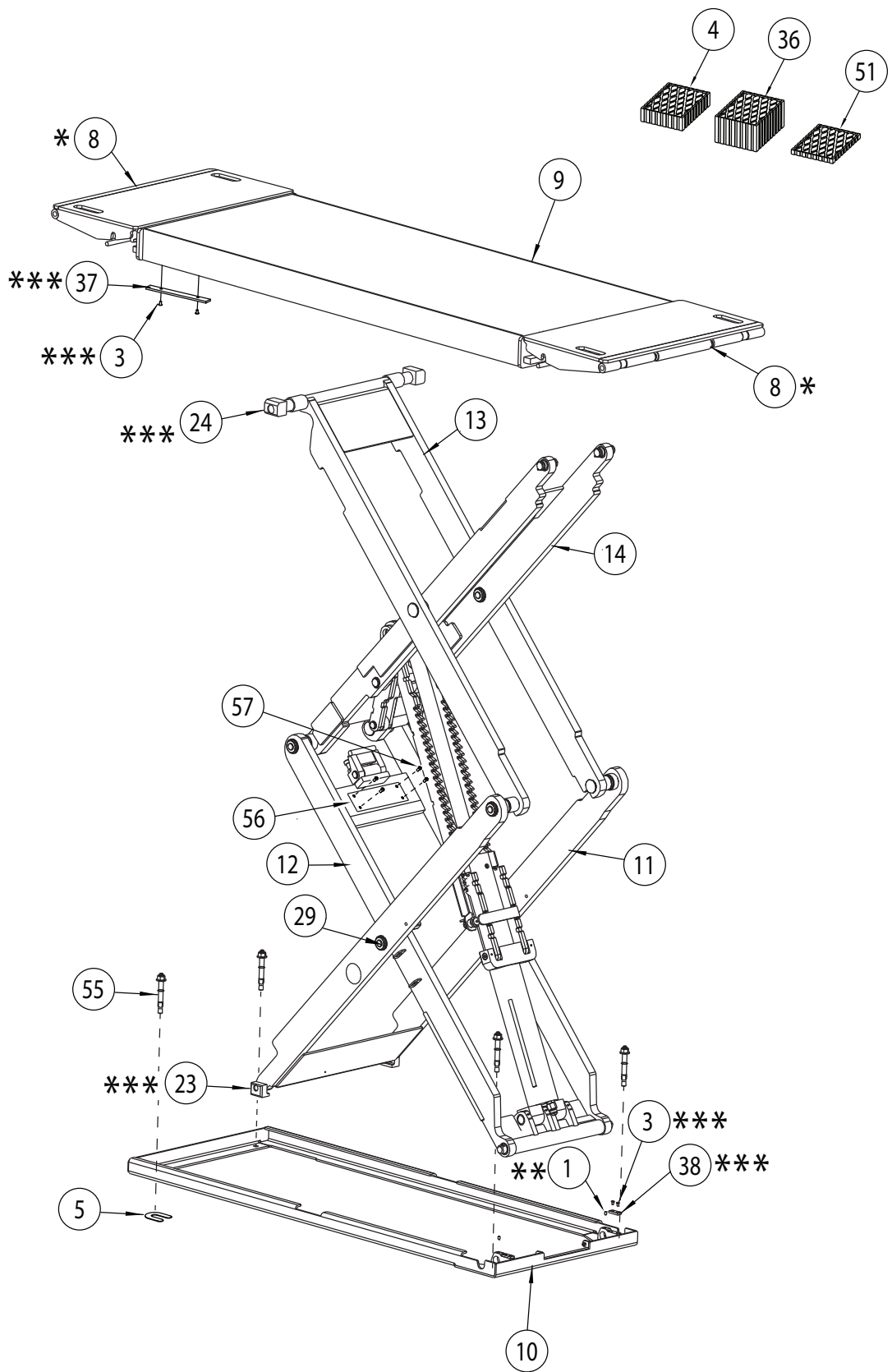
No. de Serie del Elevador _____

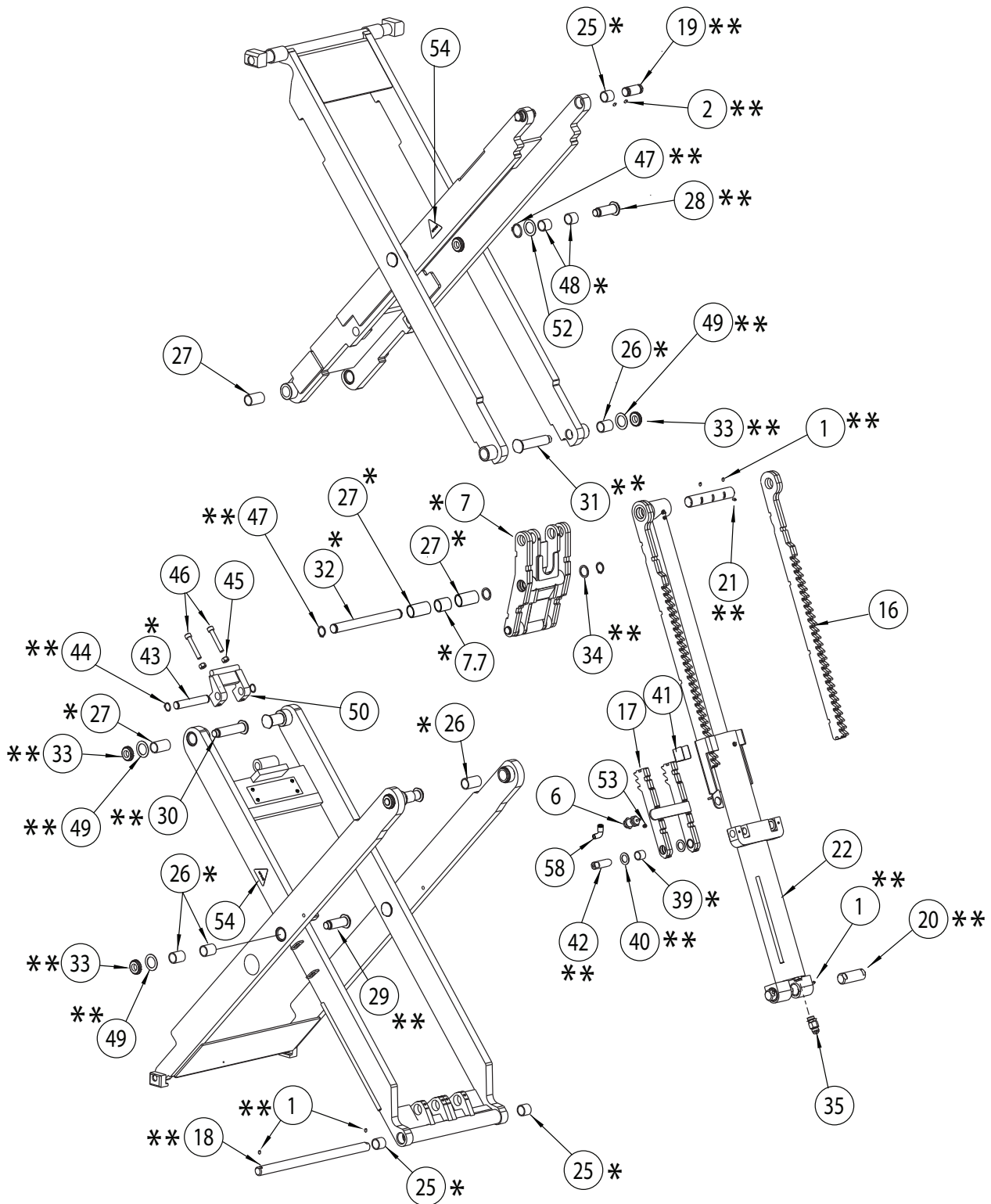
No. de Modelo del Elevador _____

NOTA: Para piezas de repuesto: Vea a su Distribuidor de Piezas Rotary más cercano.

LP20632

ARTÍCULO	PIEZA NO.	DESCRIPCIÓN
1	B21-6X10	TORNILLO DE RETENCIÓN DE CABEZA HEXAGONAL CON CABEZA PLANA M6X10
2	B22-6X10	TORNILLO CON CABEZA HEXAGONAL CON CABEZAL EN PUNTA M6X10
3	B26-5X10	TORNILLO DE CABEZA PLANA Y CABEZAL CÓNCAVO M5X10
4	FJ2427	BLOQUE DE GOMA
5	30400-1025	SEPARADOR
6	ML50-1605	CILINDRO DE AIRE DE LIBERACIÓN DE BLOQUEO
7	XX110001	ENSAMBLAJE DE UNIÓN
8	XX110036	ENSAMBLAJE DE LA RAMPA
9	XX120001	SOLDADURA DE LA PLATAFORMA
10	XX120002	SOLDADURA DE LA BASE
11	XX120003	SOLDADURA DE LA PATA DE LA TIJERA
12	XX120004	SOLDADURA DE LA PATA DE LA TIJERA
13	XX120120	SOLDADURA DE LA PATA DE LA TIJERA
14	XX120130	SOLDADURA DE LA PATA DE LA TIJERA
16	XX120023	SOLDADURA DE BLOQUEOS DEL ELEVADOR
17	XX120024	SOLDADURA DE LA BARRA DE PINZA DE BLOQUEO
18	XX130080	CLAVIJA, LARGA
19	XX130081	CLAVIJA, LARGA
20	XX130082	CLAVIJA DEL CILINDRO INFERIOR
21	XX130086	CLAVIJA DEL CILINDRO SUPERIOR
22	XX140005	CILINDRO
23	XX140007	BLOQUE DESLIZABLE (INFERIOR)
24	XX140008	BLOQUE DESLIZABLE SUPERIOR
25	XX140014Y	RODAMIENTO, 25 DIÁM. X 25 DE LARGO
26	XX140015Y	RODAMIENTO, 25 DIÁM. X 35 DE LARGO
27	XX140019Y	RODAMIENTO, 25 DIÁM. X 50 DE LARGO
28	XX140021	CLAVIJA CENTRAL SUPERIOR
29	XX140022	CLAVIJA CENTRAL INFERIOR
30	XX140023	CLAVIJA, LARGA
31	XX140024	CLAVIJA, CORTA
32	XX140025	CLAVIJA CENTRAL DE LA UNIDAD
33	XG130007	TUERCA DE BLOQUEO REDONDA RANURADA M20X1.0
34	XX140029	ARANDELA, PLÁSTICO DELGADO
35	XX140080	FUSIBLE DE VELOCIDAD
36	FJ2428	BLOQUE DE GOMA
37	XX140047	TOPE DE PLATAFORMA
38	XX140048	RIEL DE PLATAFORMA
39	XX140053Y	RODAMIENTO, 20 DIÁM. X 20 DE LARGO
40	XX140054	ARANDELA, PLÁSTICO DELGADO
41	XX140055	BLOQUE DESLIZABLE
42	XX140056	CLAVIJA
43	XX130214	CLAVIJA
44	B60-20	ANILLO A PRESIÓN
45	B30-10	TUERCA
46	B201-10X65	PERNO HEXAGONAL M10 X 65
47	B63-25	ANILLO A PRESIÓN
48	XX140062	RODAMIENTO, 25 DIÁM. X 30 DE LARGO
49	K35-7010	ARANDELA 019
50	XX130210	SOLDADURA DE AMORTIGUACIÓN
51	SB700071Y	BLOQUE DE GOMA
52	B41-24	ARANDELA 024
53	B35-5	TUERCA M5
54	NP945	PLACA ROTULADORA
55	FJ1009	ANCLA
56	XX130225	PLACA DE ACERO INOXIDABLE
57	B25-6X12	TORNILLO M6 X 12
58	FJ895	EL CODO

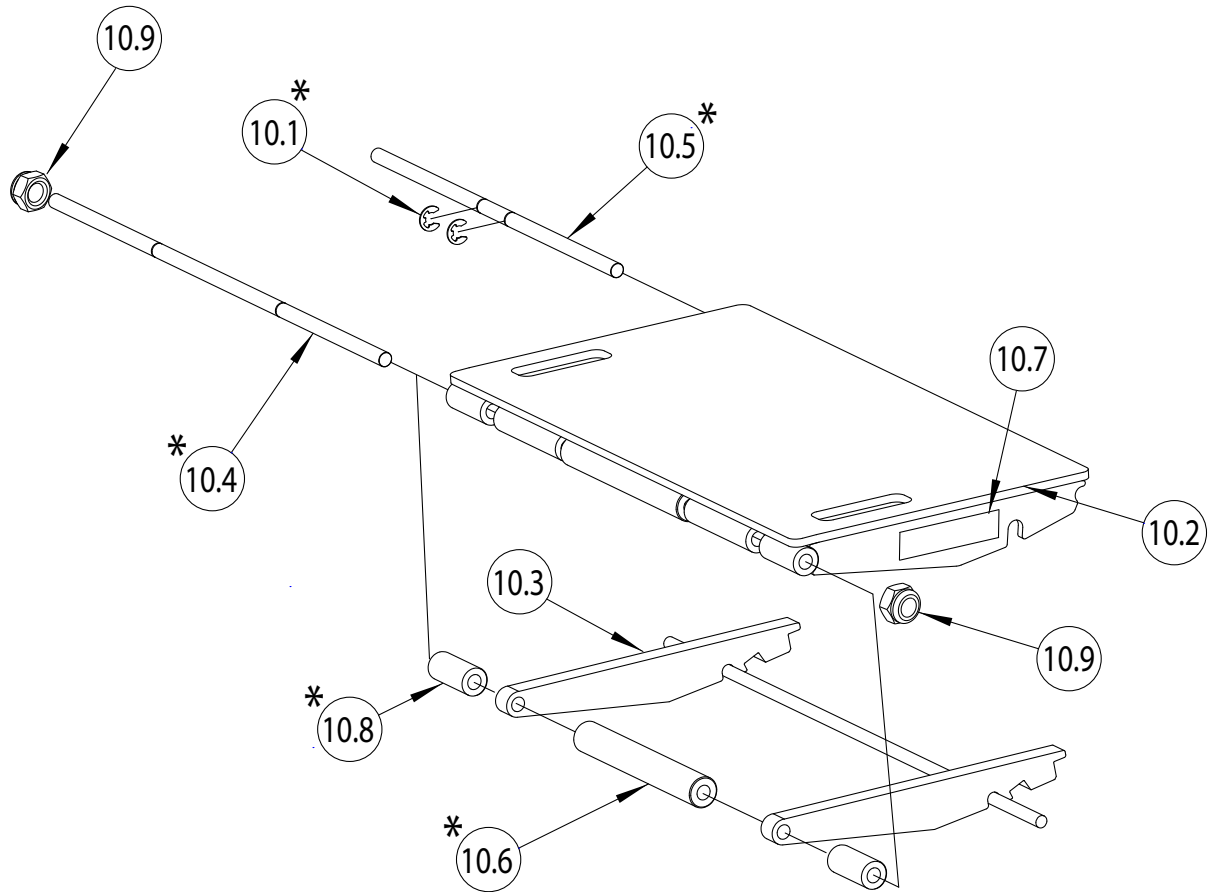




* NOTA: EL KIT DE REEMPLAZO DE RODAMIENTO XX100011 INCLUYE RODAMIENTOS ANTERIORES PARA **UNA** PLATAFORMA. PARA TODO EL ELEVADOR SE DEBEN PEDIR **DOS** KITS DE RODAMIENTOS.

** NOTA: EL KIT DE CLAVIJAS DE REEMPLAZO XX100007 INCLUYE LAS CLAVIJAS INDICADAS ANTERIORMENTE PARA **UNA** PLATAFORMA. PARA TODO EL ELEVADOR SE DEBEN PEDIR **DOS** KITS DE CLAVIJAS.

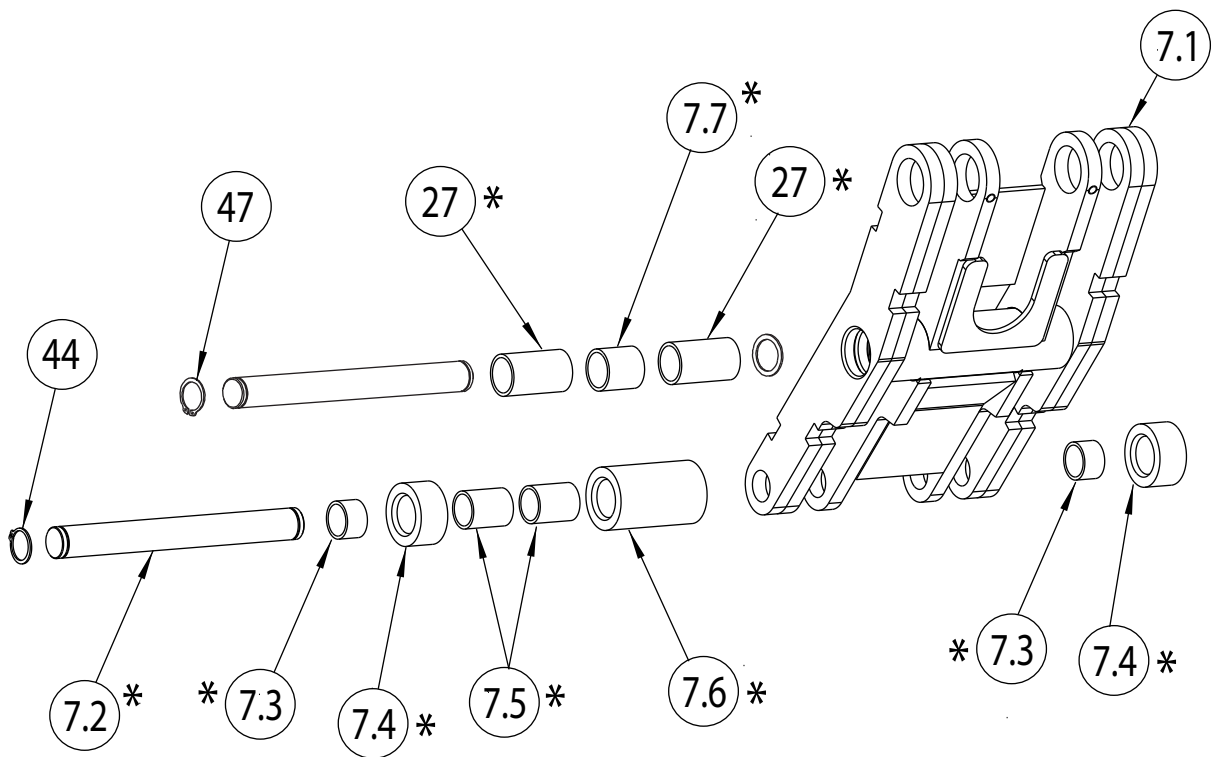
*** NOTA: EL KIT DESLIZADOR DE REEMPLAZO XX100017 INCLUYE LOS DESLIZADORES INDICADOS ANTERIORMENTE PARA LAS **DOS** PLATAFORMAS (ELEVADOR COMPLETO).



ENSAMBLAJE DE LA RAMPA

ARTÍCULO	PIEZA NO.	DESCRIPCIÓN
10.1	B61-12	GANCHO EN E 14 MM
10.2	XX120007	SOLDADURA DE RAMPA
10.3	XX120008	SOLDADURA DE SOPORTE DE LA RAMPA
10.4	XX140041	EJE DEL RODILLO DE LA RAMPA
10.5	XX130064	EJE DEL RODILLO DE LA RAMPA
10.6	XX140009	RODILLO DE LA RAMPA
10.7	NP1207	PLACA DE IDENTIFICACIÓN
10.8	XX130236	RODILLO PEQUEÑO
10.9	B33-12	TUERCA DE NYLON

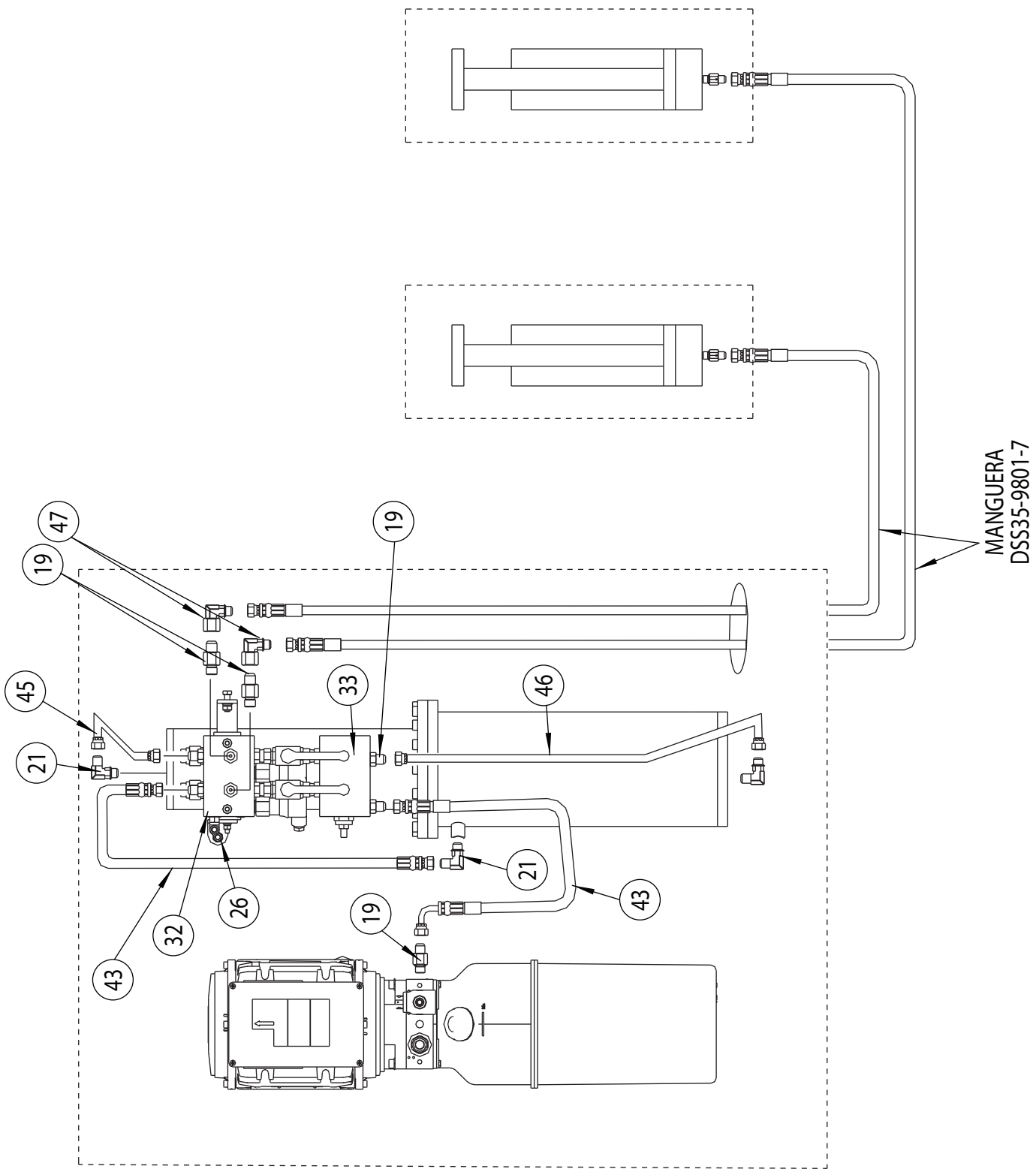
* NOTA: EL KIT DE RODILLO DE RAMPA DE REPUESTO XX100040 INCLUYE LAS PIEZAS DEL RODILLO Y DEL EJE DEL RODILLO INDICADAS ANTERIORMENTE PARA CUATRO RAMPAS.

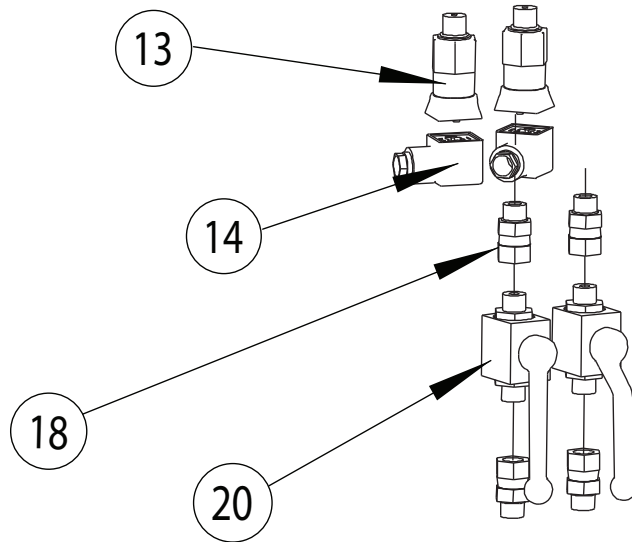


ENSAMBLAJE DE UNIÓN

ARTÍCULO	PIEZA NO.	DESCRIPCIÓN
7.1	XX120009	SOLDADURA DE UNIÓN
7.2	XX130036	CLAVIJA DEL RODILLO
7.3	XX140060	RODAMIENTO, 20 DIÁM. X 15 DE LARGO
7.4	XX140020	RODILLO
7.5	XX140059	RODAMIENTO, 25 DIÁM. X 30 DE LARGO
7.6	XX140004	RODILLO
7.7	XX140067Y	RODAMIENTO, 25 DIÁM. X 70 DE LARGO

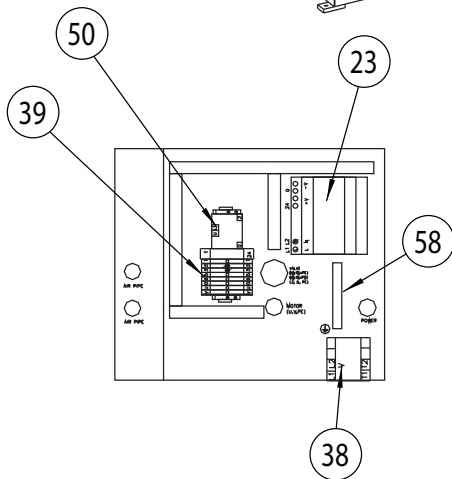
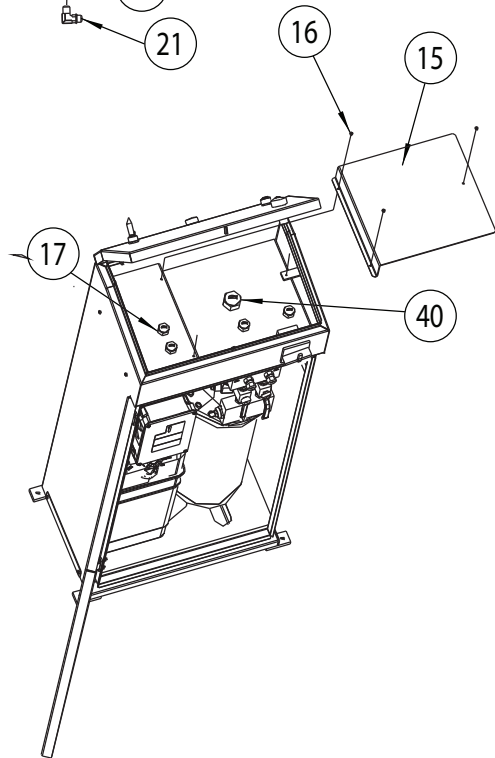
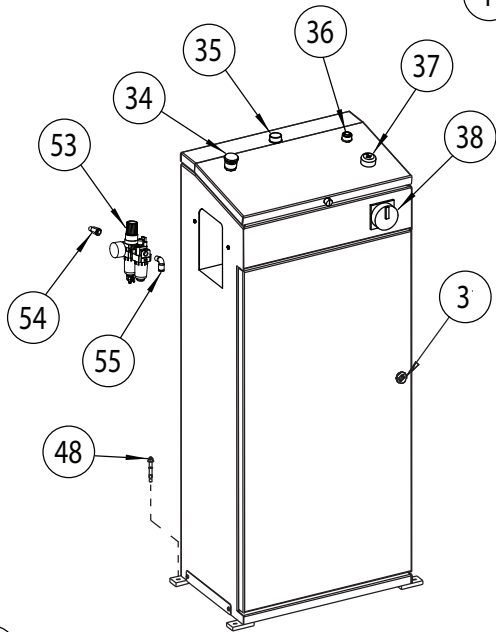
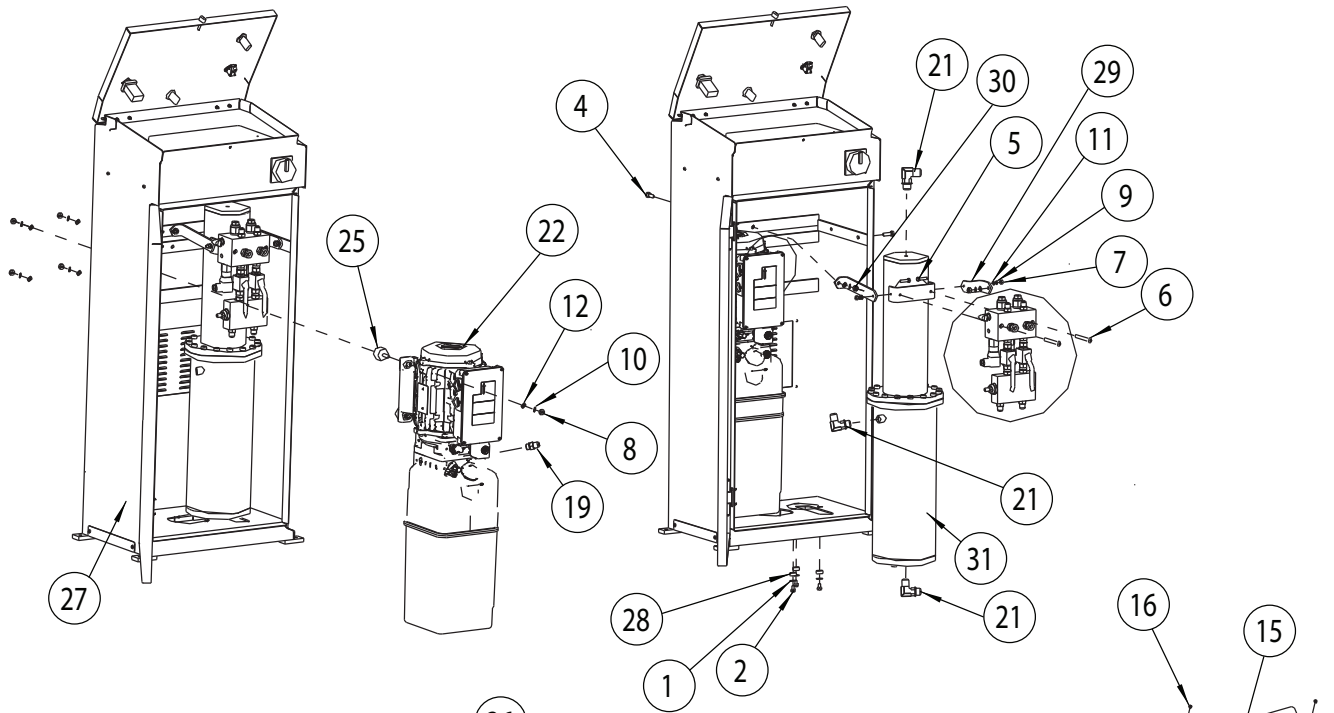
* NOTA: EL KIT DE RODILLO DE REEMPLAZO XX100008 INCLUYE LAS PIEZAS INDICADAS DEL EJE DEL RODILLO Y RODAMIENTOS PARA DOS PLATAFORMAS.



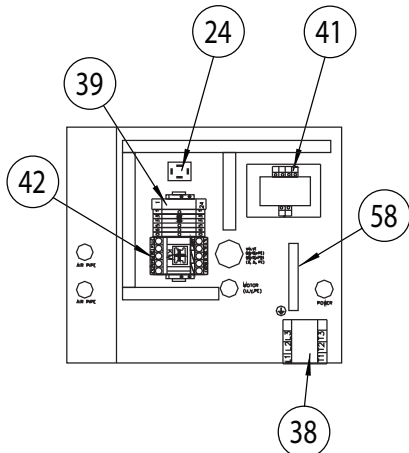


ARTÍCULO	CANT.	PIEZA NO.	DESCRIPCIÓN
13	2	BAF-SR-65-C-H-9-UL	INTERRUPTOR DE PRESIÓN
14	2	C18311N21	CONECTOR DIN
18	4	DSS35-9802-1	ACCESORIO
20	2	3288813	VÁLVULA DE BOLA

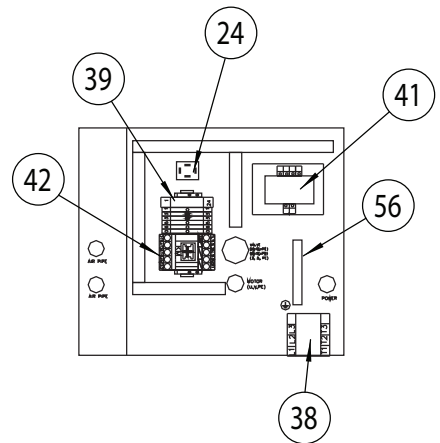
ARTÍCULO	PIEZA NO.	DESCRIPCIÓN	ARTÍCULO	PIEZA NO.	DESCRIPCIÓN
1	B42-8	ARANDELA GRANDE DE 8 MM	31	XX140058	CILINDRO MAESTRO
2	B10-6X12	PERNO HEXAGONAL DE BRIDA M6X12	32	FKZJ-201C	COLECTOR
3	MS715-9-H02	PESTILLO	33	FKZJ-201B	COLECTOR
	AB302	CERRADURA VIEJA MODELO ANTIGUO	34	XX140065	VÁLVULA DE AIRE DE LIBERACIÓN DE BLOQUEO
4	B10-8X25	PERNO DE CABEZA HEXAGONAL M8X25	35	DQ-QJ-00038	LUZ DE ENCENDIDO
5	B10-6X25	PERNO DE CABEZA HEXAGONAL M6X25	36	DQ-QJ-00002	BOTÓN DE ELEVACIÓN (XX110018)
6	B20-8X70	TORNILLO DE CABEZA CIEGA HEXAGONAL M8X70	37	DQ-QJ-00001	BOTÓN DE DESCENSO (XX110018)
7	B30-6	TUERCA HEXAGONAL M6	38	DQ-QJ-00034	INTERRUPTOR DE DESCONEJÓN
8	B30-8	TUERCA HEXAGONAL M8	39	DQ-QJ-00050	BLOQUE DE TERMINALES (XX110017, XX110020)
9	B40-6	ARANDELA DE BLOQUEO 6		DQ-QJ-00055	BLOQUE DE TERMINALES (XX110018)
10	B40-8	ARANDELA DE BLOQUEO 8	40	AG-25W	TUERCA DE BLOQUEO
11	B41-6	ARANDELA PLANA 6	41	XX100026	TRANSFORMADOR (XX110018)
12	B41-8	ARANDELA PLANA		DQ-QJ-00035	TRANSFORMADOR (XX110018)
13	BAF-5R-6S-C-H-9-UL	INTERRUPTOR DE PRESIÓN	42	DQ-QJ-00005	CONTACTOR (XX110018)
14	C18311N21	CONECTOR DIN	43	DBS35-9801-1	MANGUERA HIDRÁULICA
15	XX130195	CUBIERTA ELÉCTRICA	44	XX140037	FUSIBLE DE VELOCIDAD
16	B23-4X6	TORNILLO 4X6, PHMS	45	DSS35-9801-5	TUBERÍA HIDRÁULICA DE ACERO
17	PG135	ASEGURADOR DE CABLE	46	DSS35-9801-6	TUBERÍA HIDRÁULICA DE ACERO
18	DSS35-9802-1	ACCESORIO	47	M130028Y	ACCESORIO DE CODO
19	FJ7352-3	ADAPTADOR	48	B14-3/8X70	ANCLA DEL GABINETE
20	3288813	VÁLVULA DE BOLA	49	NA	NA
21	SW-002	ACCESORIO DE CODO	50	DQ-QJ-00052	RELÉ DE CORRIENTE
22	P3668	10 UNIDADES DE POTENCIA DE 60Hz 220V	51	DR-100-24	FUENTE DE ALIMENTACIÓN DEL INTERRUPTOR
	P3671	10 UNIDADES DE POTENCIA DE 50Hz 220V	52	KBPC2510	RECTIFICADOR DE PUENTE
	P3660	30 UNIDADES DE POTENCIA DE 50/60Hz 460V	53	S130405	FILTRO-REGULADOR-LUBRICADOR
23	DQ-QJ-00053	FUENTE DE ALIMENTACIÓN DEL INTERRUPTOR (DR-100-24)	54	EPC6-N02	CONECTOR MACHO
24	DQ-QJ-00056	RECTIFICADOR DE PUENTE (KBPC2510)	55	EPL6-N02	CODO MACHO
25	PV-2005	VARILLA DE CONEXIÓN DE LA UNIDAD DE POTENCIA CON TOPE	56	DQ-QJ-00046	BARRA A TIERRA
26	EPC8-G02	ACCESORIO DE AIRE - Y	57	FA9194	DIODO (XX110017) (NO MOSTRADA)
27	XX110014	GABINETE, VERSIÓN PARA EE. UU.	58	XX140078	ANILLO O DE CONTROL DE FLUJO (NO MOSTRADA)
28	XX130178	COJINETE DEL CILINDRO DEL GABINETE	59	XX100041	KIT DE REEMPLAZO DE BISAGRAS (NO MOSTRADA)
29	XX130179	SOPORTE DEL CILINDRO DEL GABINETE			
30	XX130190	SOPORTE DEL CILINDRO DEL GABINETE			



XX110017, XX110020
(Single Phase)

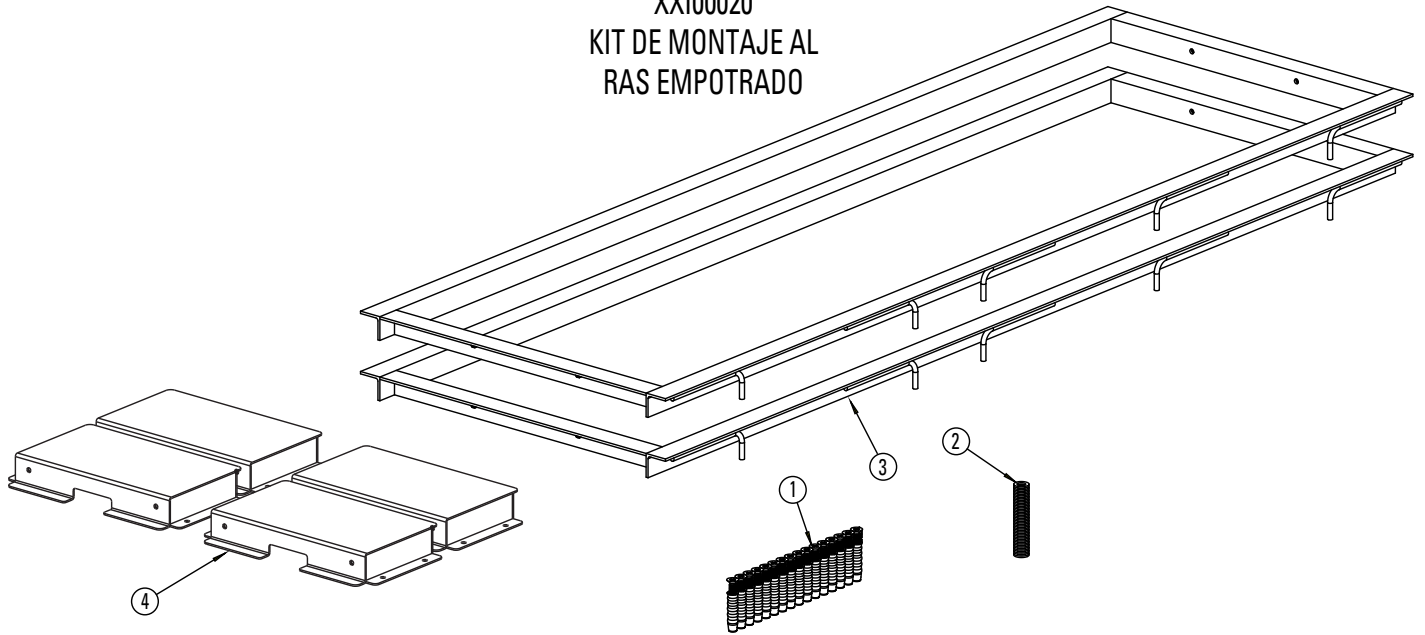


XX110018 WITH XX100026
(Three Phase)

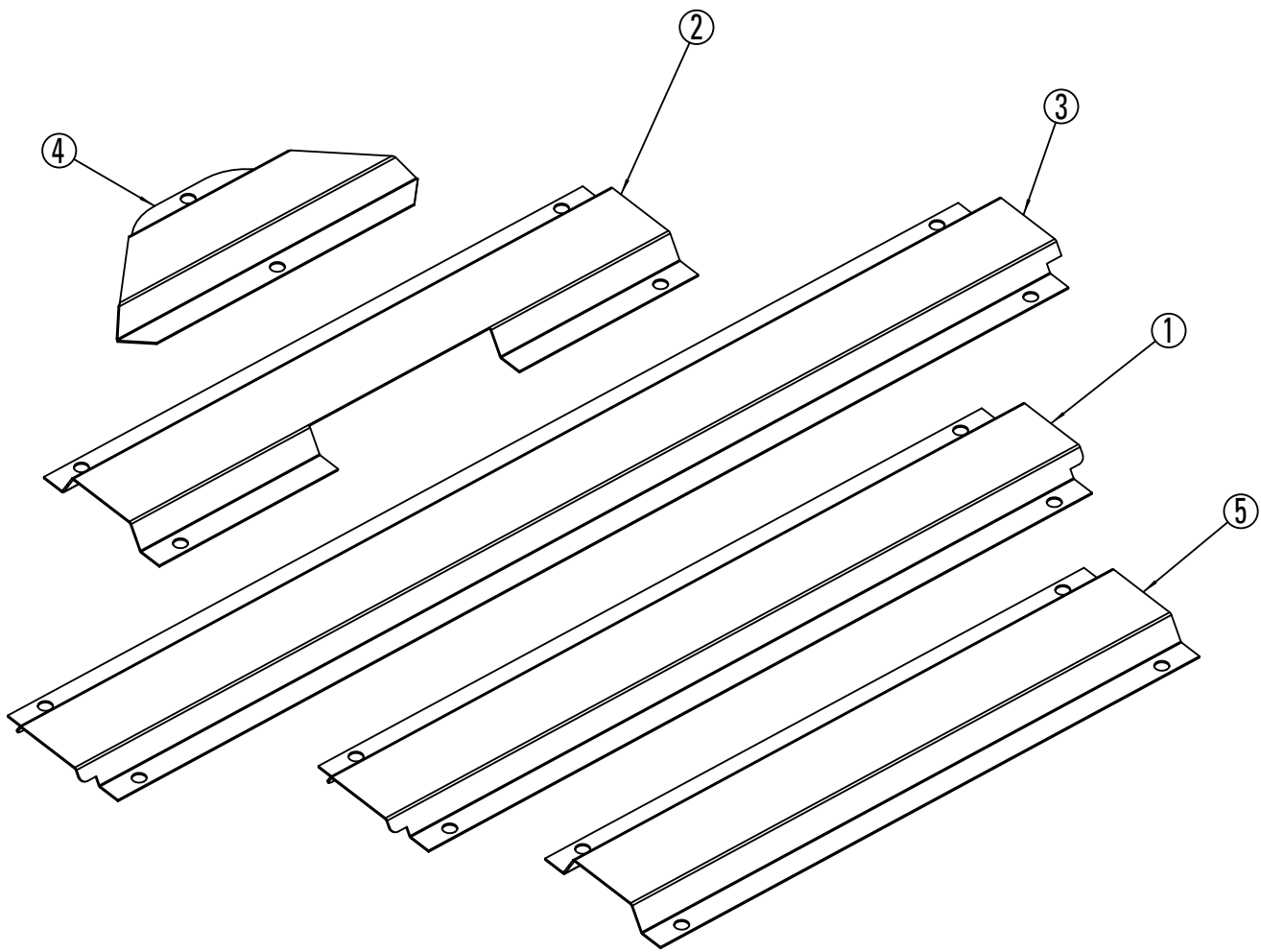


XX110018
(Three Phase)

XXI00020
KIT DE MONTAJE AL
RAS EMPOTRADO



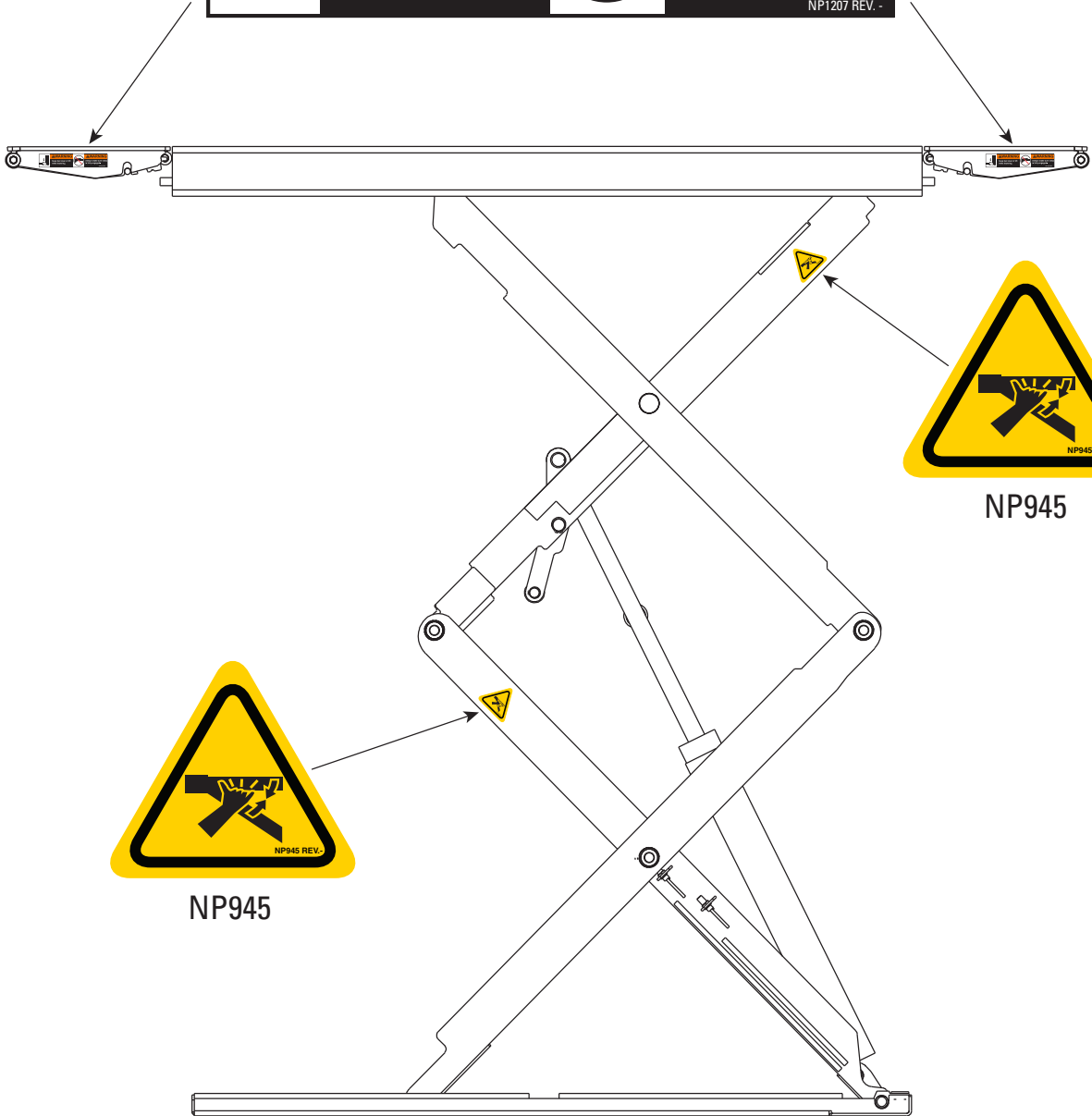
ARTÍCULO	CANT.	PIEZA NO.	DESCRIPCIÓN
1	16	B14B-6X40	ANCLA DE NAILON
2	16	B41-8	ARANDELA PLANA 08
3	2	XX120022	SOLDADURA EMPOTRADA
4	4	XX120030	SOLDADURA DE CAJA DE RECESO



ARTÍCULO	CANT.	PIEZA NO.	DESCRIPCIÓN
1	2	XX130091Y	CUBIERTA DE LA MANGUERA
2	2	XX130092Y	CUBIERTA DE LA MANGUERA
3	2	XX130111Y	CUBIERTA DE LA MANGUERA
4	1	XX130141Y	CUBIERTA DE LA MANGUERA 45°
5	2	XX130156Y	CUBIERTA DE LA MANGUERA

NP1207

	⚠ WARNING Keep feet clear of lift while lowering.		⚠ WARNING Always make sure ramp is fully engaged. <small>NP1207 REV. -</small>
---	---	---	---



⚠ WARNING

This unit is supplied by more than one source of energy. Be sure to disconnect all energy sources at main power supply using appropriate lockout/tagout procedures. Before servicing this control panel the lift **MUST** be lowered. Only allow qualified lift service personnel to service control panel.

NP715

CAPACITY
7700 LBS.
(3500 Kg.)

NP1190 Rev. A



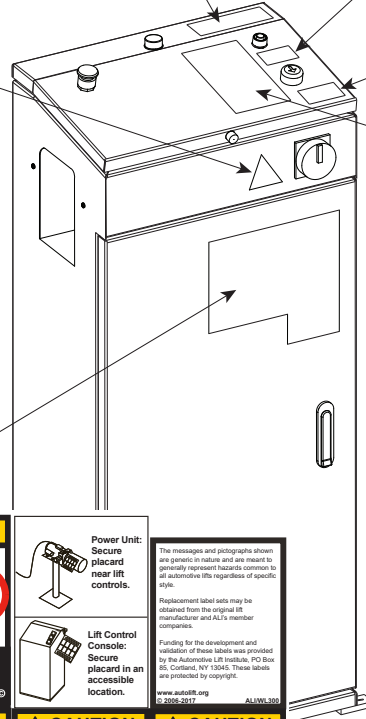
NP584

- Warning label pictographs used with permission of the Automotive Lift Institute.
- Pictografías de etiquetas de advertencia utilizadas con permiso del Automotive Lift Institute.
- Pictogrammes d'avertissement utilisés avec la permission du Automotive Lift Institute.
- Pictogramas de advertência usados com permissão do Automotive Lift Institute.

NOTICE

If attachments, accessories, or configuration modifying components used on this lift are located in the load path and affect operation of the lift, affect the lift electrical listing, or affect intended vehicle accommodation; and if they are not certified for use on this lift, then the certification of this lift shall become null and void. Contact the participant for information pertaining to certified attachments, accessories, or configuration modifying components.

www.autolift.org ©2011 by ALI, Inc. ALI/WLSIA01



ALI WL300

⚠ WARNING Position vehicle with center of gravity midway between adapters.	⚠ WARNING Remain clear of lift when raising or lowering vehicle.	⚠ WARNING Keep feet clear of lift while lowering.	⚠ CAUTION Lift to be used by trained operator only.	Power Unit: Secure placard near lift controls.	<small>The messages and pictographs shown are generic in nature and are meant to generally represent hazards common to all automotive lifts regardless of specific style.</small>
⚠ WARNING Clear area if vehicle is in danger of falling.	⚠ WARNING Avoid excessive rocking of vehicle while on lift.	⚠ WARNING Keep clear of pinch points when lift is moving.	⚠ CAUTION Authorized personnel only in lift area.	Lift Control Console: Secure placard in an accessible location.	<small>Replacement label sets may be obtained from the original lift manufacturer and ALI's member companies.</small>
⚠ CAUTION Use vehicle manufacturer's lift points.	⚠ CAUTION Always use safety stands when removing or installing heavy components.	⚠ CAUTION Vehicle doors MUST be closed. Do not loiter around lift while in operation. Do not climb on raised vehicle or lift.	⚠ CAUTION Lift to be used by trained operator only.	⚠ CAUTION Lift to be used by trained operator only.	<small>Funding for the development and validation of these labels was provided by the Automotive Lift Institute, 400 Bus 85, Cortland, NY 13845. These labels are protected by copyright.</small>
NOTICE Read operating and safety manuals before using lift.	NOTICE Proper maintenance and inspection is necessary for safe operation.	NOTICE Do not operate a damaged lift.			<small>www.autolift.org ©2009-2011 ALI/WL300</small>

! Read and heed all Warning, Caution and Safety Instruction, on lift. Comply with all Health and Safety regulations.

📖 The lift must be used for its intended purpose. Refer to the operating manual. The lift may only be operated by authorized staff.

🔒 The main switch is also an emergency stop switch. In case of emergency, turn the switch to "0". Secure the lift against unauthorized use by locking the main switch.

📏 Do not exceed the load capacity specified on the nameplate. The weight distribution of each platform may not exceed the value given in the operating manual.

🚫

🔒

🚫
Check lift operation before use. Center vehicle on platforms, there must be no obstructions on or near lift while raising or lowering.

🚫
Do not leave lift at full rise for long periods. Always lower to locks.

🚫
Vehicle doors MUST be closed. Do not loiter around lift while in operation. Do not climb on raised vehicle or lift.

🔑
Press "LOWER" button and "LOCK RELEASE" button to lower lift. Lift must be raised initially off locks before lowering.

TROUBLESHOOTING AND MAINTENANCE Refer to the Operating and Service Manual.

NP1188 Rev. A

Notas:

Vehicle Service GroupSM
2700 Lanier Drive
Madison, IN 47250, USA
1-800-640-5438
www.vsgdover.com



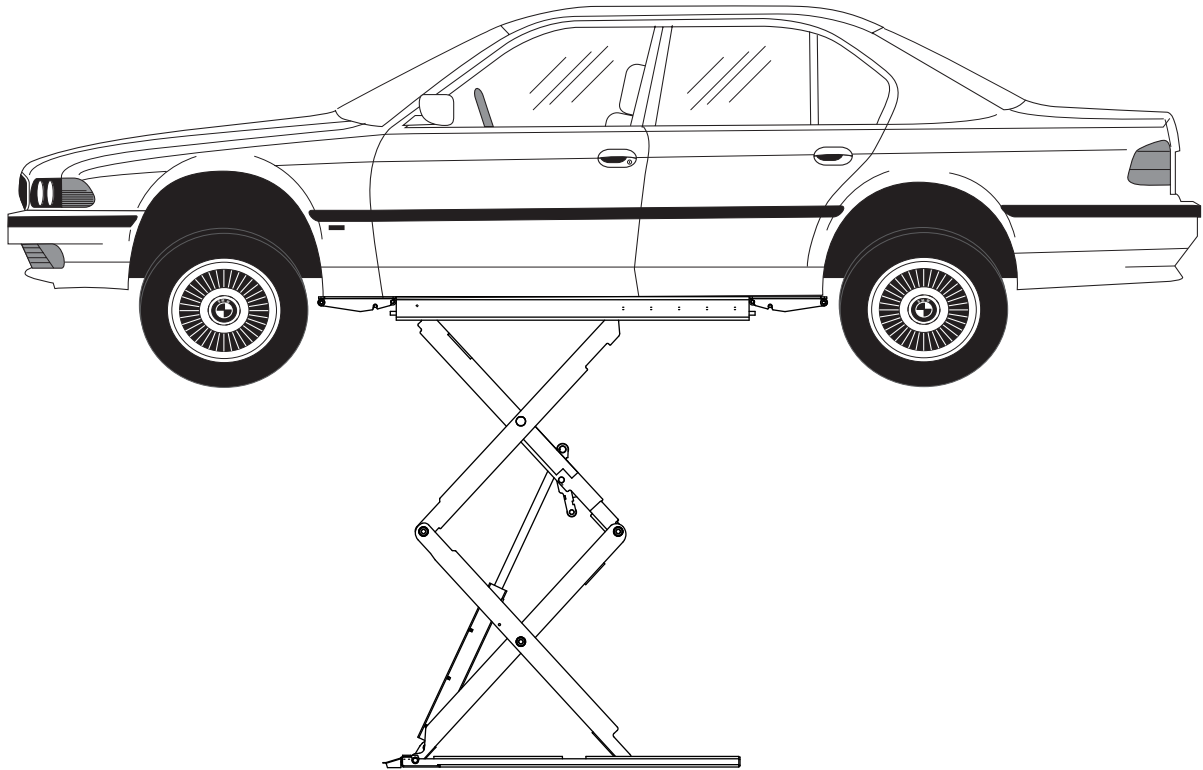
© **Vehicle Service GroupSM**
Todos os direitos reservados. Salvo disposição
em contrário indicado, **Vehicle Service GroupSM**,
e todas as outras marcas registradas são de
propriedade da Dover Corporation e suas afiliadas.

Répartition des pièces

Section Double de la Table Élévatrice

(000 Séries)

Capacité 7,700 lbs (3,500 kg)
(Maximum 3,850 lbs (1,750 kg) par plaquette)



DOSSIER PROPRIÉTAIRE

Information complète
à droite et garder dans
un endroit sûr.

Date Installé _____

Installé dans le Segment # _____

Unité de puissance Série # _____

Unité de puissance Modèle # _____

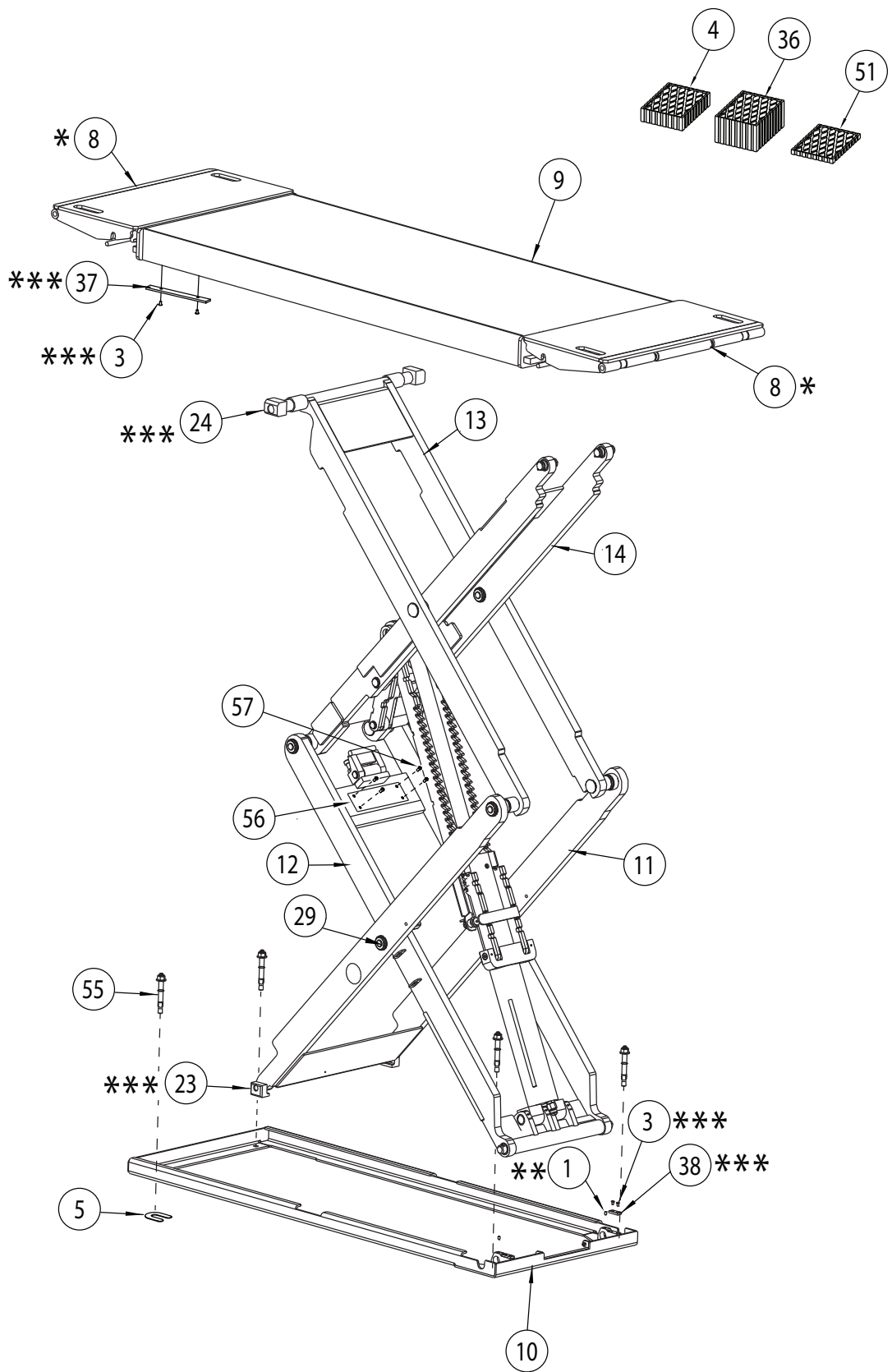
Table élévatrice Série # _____

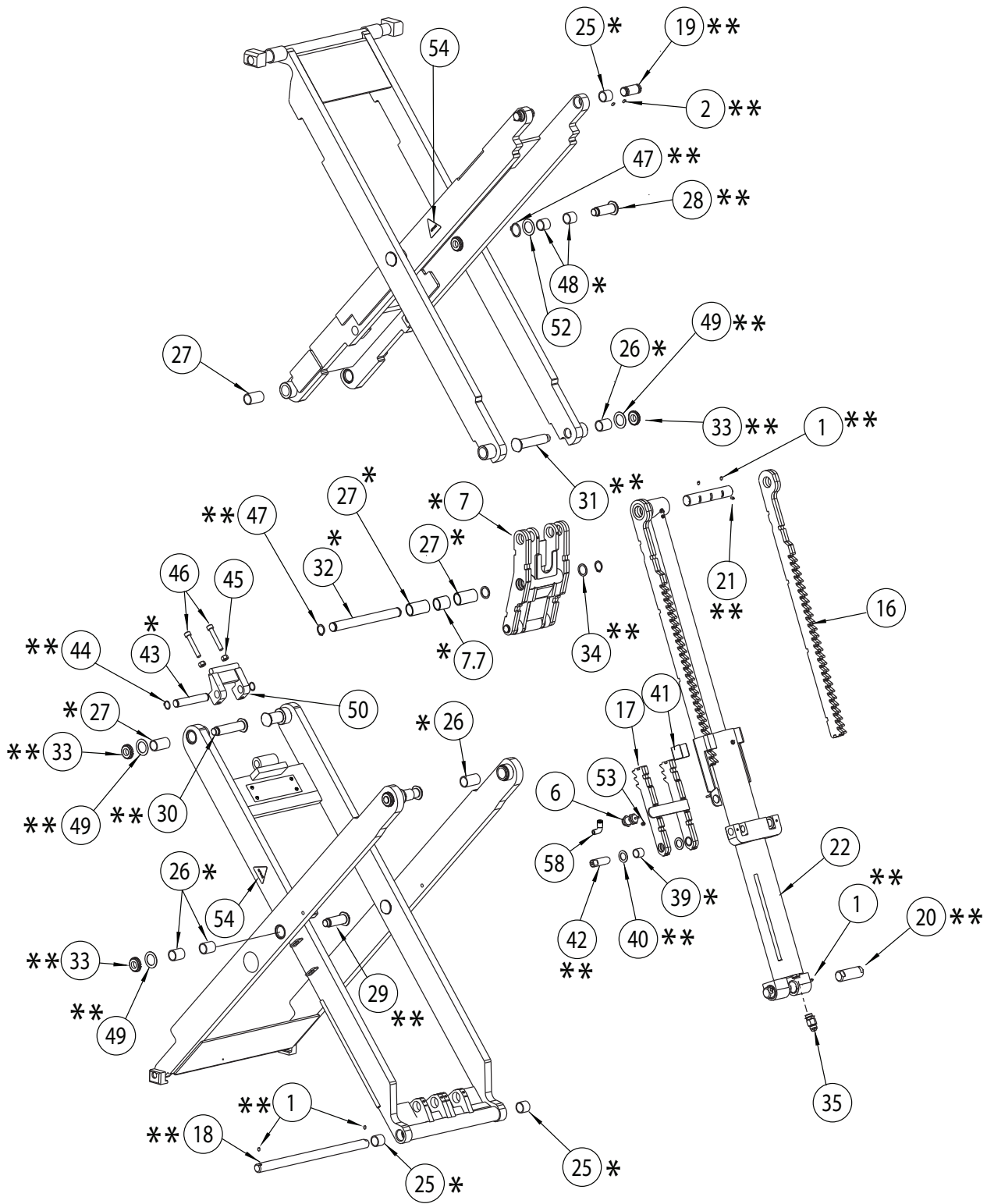
Table élévatrice Modèle # _____

NOTE : Pour des pièces de remplacement - Voir votre distributeur de pièces Rotary le plus proche.

LP20632

ITEM	NO. PIÈCE	DESCRIPTION
1	B21-6X10	GOUJON FILETÉ À 6 PANS CREUX À TÊTE PLATE M6X10
2	B22-6X10	GOUJON FILETÉ À 6 PANS CREUX À TÊTE POINTUE M6X10
3	B26-5X10	GOUJON À TÊTE PLATE FRAISÉE MS M5X10
4	FJ2427	BLOC DE CAOUTCHOUC
5	30400-1025	CALE
6	ML50-1605	LIBÉRATION DU CRAN DE SÛRETÉ À CYLINDRE À AIR
7	XX110001	ASSEMBLAGE KICKER
8	XX110036	RAMPE D'ASSEMBLAGE
9	XX120001	SOUDURE DE PLATEFORME
10	XX120002	SOUDURE DE BASE
11	XX120003	PATTE DE SOUDAGE EN CISEAU
12	XX120004	PATTE DE SOUDAGE EN CISEAU
13	XX120120	PATTE DE SOUDAGE EN CISEAU
14	XX120130	PATTE DE SOUDAGE EN CISEAU
16	XX120023	SOUDURE DE SERRURES DE LA TABLE ÉLÉVATRICE
17	XX120024	SOUDURE DE LA BARRE DU CROCHET DE VERROUILLAGE
18	XX130080	GOUPILLE, LONGUE
19	XX130081	GOUPILLE, LONGUE
20	XX130082	GOUPILLE DU CYLINDRE DU BAS
21	XX130086	GOUPILLE DU CYLINDRE DU HAUT
22	XX140005	CYLINDRE
23	XX140007	BLOC COULISSANT (INFÉRIEUR)
24	XX140008	BLOC COULISSANT SUPÉRIEUR
25	XX140014Y	SURFACE, 25 DIAM. X 25 LONG
26	XX140015Y	SURFACE, 25 DIAM. X 35 LONG
27	XX140019Y	SURFACE, 25 DIAM. X 50 LONG
28	XX140021	GOUPILLE DU CENTRE SUPÉRIEUR
29	XX140022	GOUPILLE DU CENTRE INFÉRIEUR
30	XX140023	GOUPILLE, LONGUE
31	XX140024	GOUPILLE, COURTE
32	XX140025	GOUPILLE DU CENTRE KICKER
33	XG130007	M20x1.0 S EMBOÎTEMENT ROND DU CONTRE-ÉCROU
34	XX140029	RONDELLE, PLASTIQUE MINCE
35	XX140080	FUSIBLE DE VITESSE
36	FJ2428	BLOC DE CAOUTCHOUC
37	XX140047	PLATEFORME PARE-CHOC
38	XX140048	PLATEFORME RAIL
39	XX140053Y	SURFACE, 20 DIAM. X 20 LONG
40	XX140054	RONDELLE, PLASTIQUE MINCE
41	XX140055	BLOC COULISSANT
42	XX140056	GOUPILLE
43	XX130214	GOUPILLE
44	B60-20	RESSORT D'ARRÊT
45	B30-10	ÉCROU
46	B201-10X65	BOULON À TÊTE HEXAGONALE M10 X 65
47	B63-25	RESSORT D'ARRÊT
48	XX140062	SURFACE, 25 DIAM. X 30 LONG
49	K35-7010	Ø19 RONDELLE
50	XX130210	COUSSIN DE SOUDAGE
51	SB700071Y	BLOC DE CAOUTCHOUC
52	B41-24	Ø24 RONDELLE
53	B35-5	M5 ÉCROU
54	NP945	PLAQUE SIGNALÉTIQUE
55	FJ1009	ANCRE
56	XX130225	PLAQUE EN ACIER INOXYDABLE
57	B25-6X12	VIS M6 X 12
58	FJ895	LE COUDE

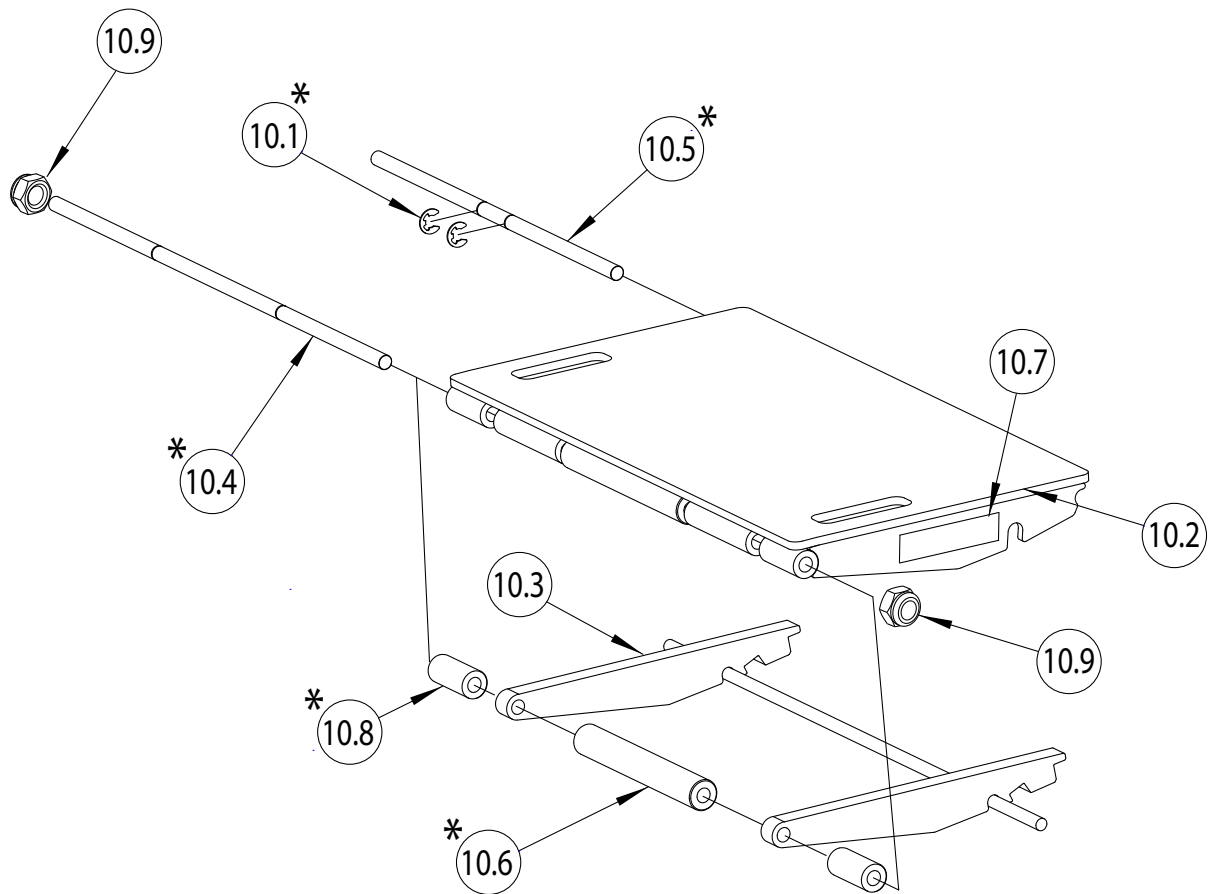




* NOTE : XX100011 ENSEMBLE DE REMPLACEMENT DU ROULEMENT INCLUANT UN ROULEMENT ANNOTÉ CI-AVANT POUR **UNE** PLATEFORME. POUR TOUTE LA TABLE ÉLEVATRICE, **DEUX** ENSEMBLES DE ROULEMENT DOIVENT ÊTRE COMMANDÉS.

** NOTE : XX100007 REMPLACEMENT D'UN ENSEMBLE DE GOUPILLES INCLUANT DES GOUPILLES ANNOTÉES CI-AVANT POUR **UNE** PLATEFORME. POUR TOUTE LA TABLE ÉLEVATRICE, **DEUX** ENSEMBLES DE ROULEMENT DOIVENT ÊTRE COMMANDÉS.

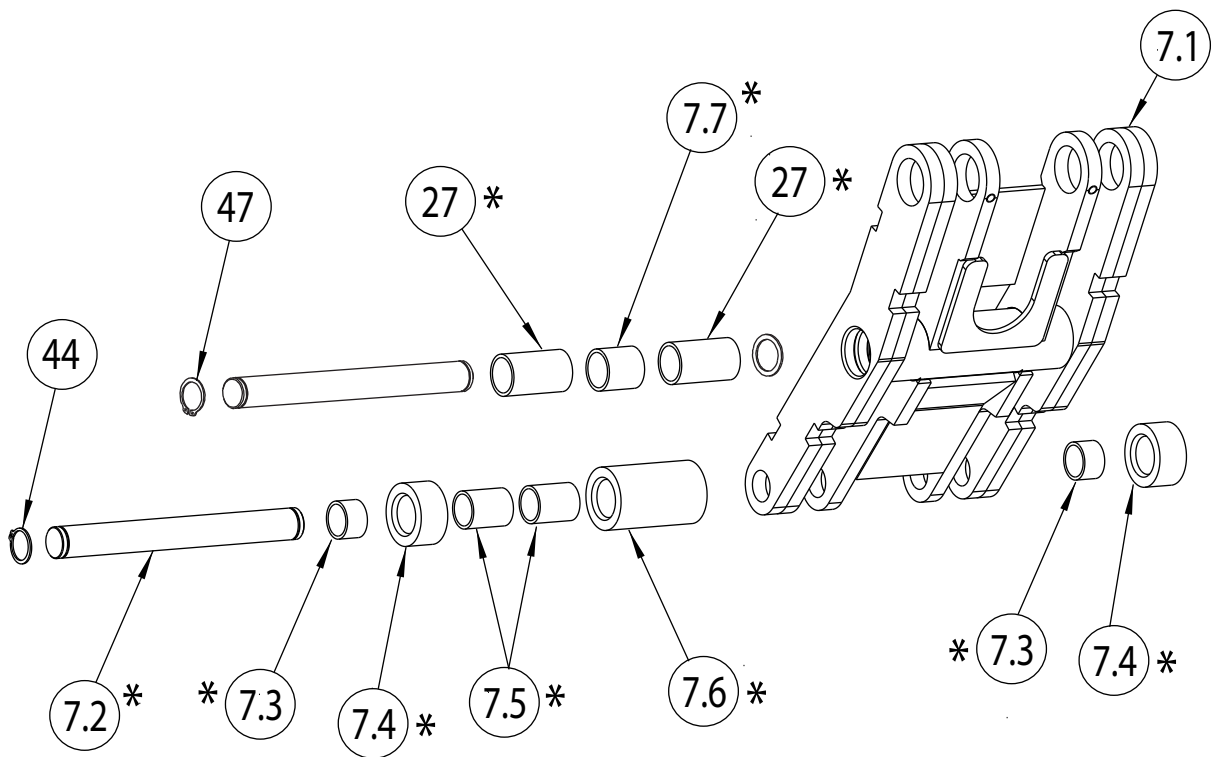
*** NOTE : XX100017 REMPLACEMENT D'UN ENSEMBLE DE COULISSEAUX INCLUANT DES COULISSEAUX ANNOTÉS CI-AVANT POUR LES **DEUX** PLATEFORMES (TABLE ÉLEVATRICE ENTIÈRE).



ASSEMBLAGE DE LA RAMPE

ITEM	NO. PIÈCE	DESCRIPTION
10.1	B61-12	E-AGRAFE 14MM
10.2	XX120007	SOUDAGE DE LA RAMPE
10.3	XX120008	SUPPORT DE SOUDAGE DE LA RAMPE
10.4	XX140041	RAMPE DE L'ARBRE DU ROULEAU
10.5	XX130064	RAMPE DE L'ARBRE DU ROULEAU
10.6	XX140009	RAMPE DU ROULEAU
10.7	NP1207	PLAQUE SIGNALÉTIQUE
10.8	XX130236	PETIT ROULEAU
10.9	B33-12	ÉCROU DE VERRON NYLON

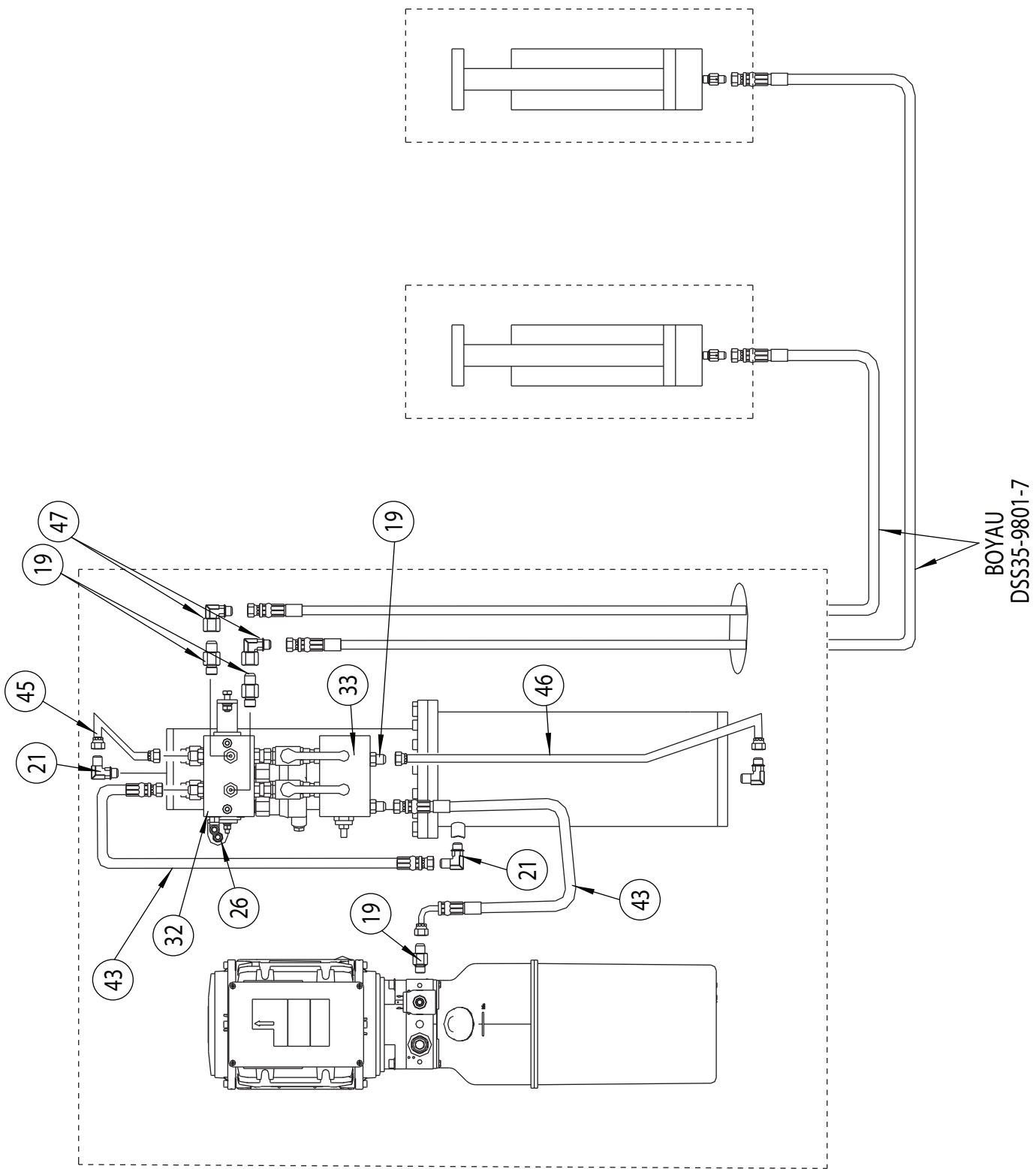
* NOTE: XX100040 REMPLACEMENT DE L'ENSEMBLE DE LA RAMPE DU ROULEAU INCLUANT LE ROULEAU ANNOTÉ ET LES PIÈCES DE L'ARBRE DU ROULEAU POUR QUATRE RAMPE.

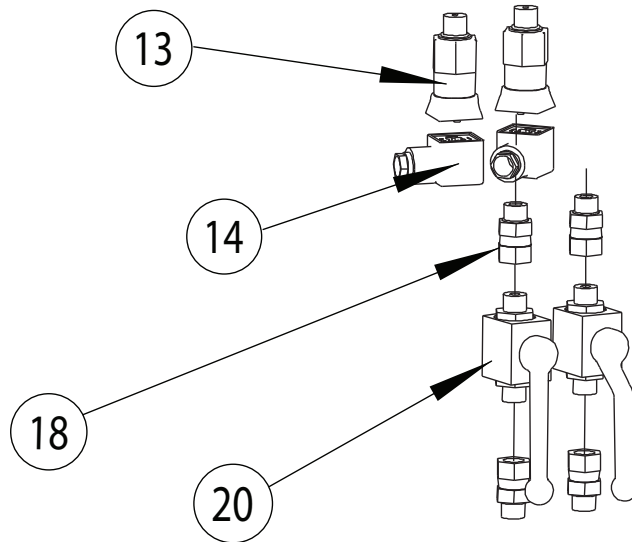


ASSEMBLAGE DU KICKER

ITEM	NO. PIÈCE	DESCRIPTION
7.1	XX120009	SOUDURE DU KICKER
7.2	XX130036	AXE DE GALET
7.3	XX140060	SURFACE, 20 DIAM. X 15 LONG
7.4	XX140020	ROULEAU
7.5	XX140059	SURFACE, 25 DIAM. X 30 LONG
7.6	XX140004	ROULEAU
7.7	XX140067Y	SURFACE, 25 DIAM. X 70 LONG

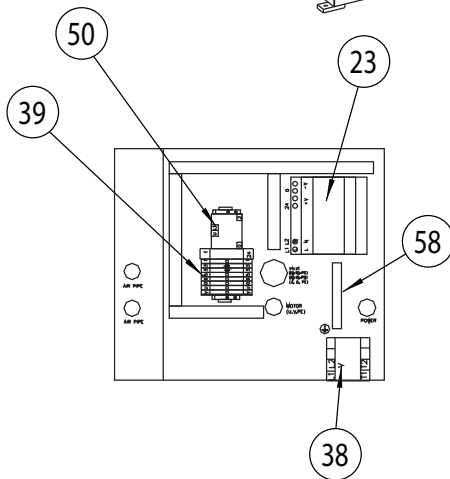
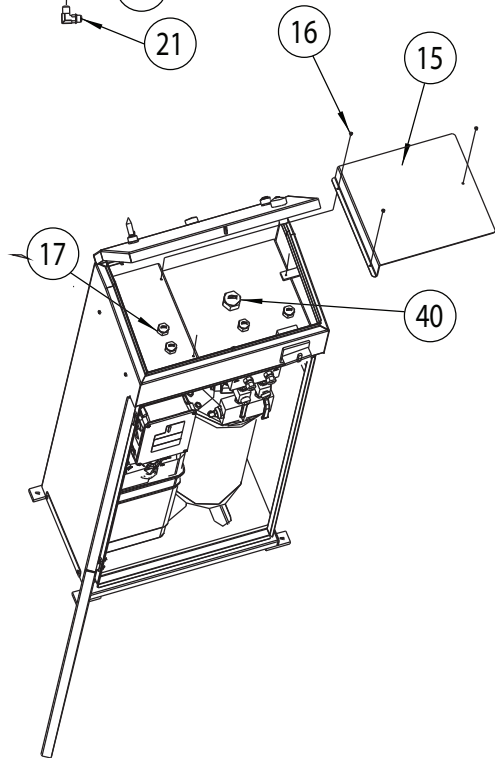
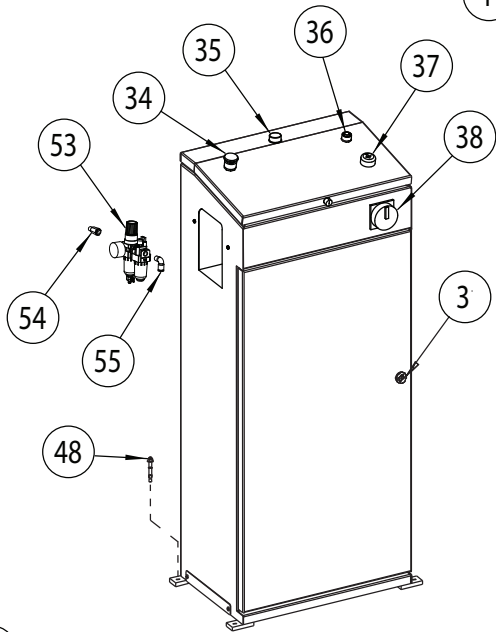
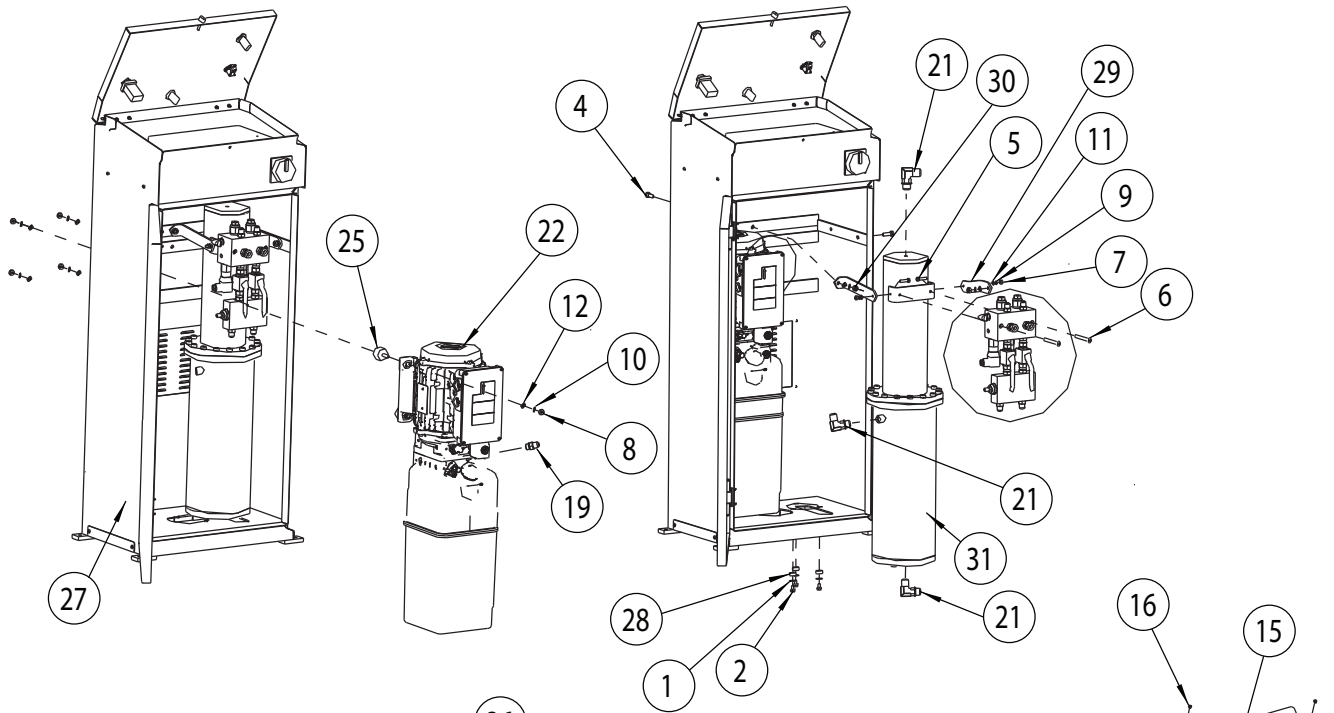
* NOTE : XX100008 REMPLACEMENT DE L'ENSEMBLE À ROULEAU INCLUANT LES PIÈCES POUR L'ARBRE À ROULEAU ET LE ROULEMENT ANNOTÉES POUR DEUX PLATEFORMES.



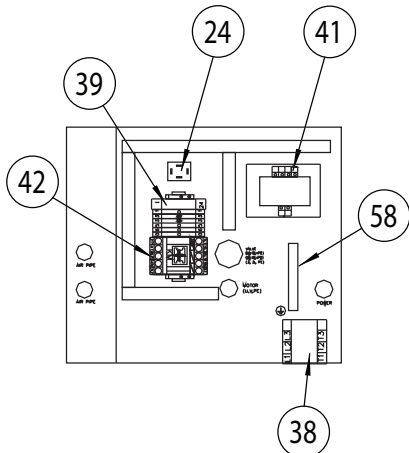


ITEM	QTÉ	NO. PIÈCE	DESCRIPTION
13	2	BAF-SR-65-C-H-9-UL	INTERRUPTEUR DE PRESSION
14	2	C18311N21	CONNECTEUR DIN
18	4	DSS35-9802-1	RACCORD
20	2	3288813	CLAPET À BILLE

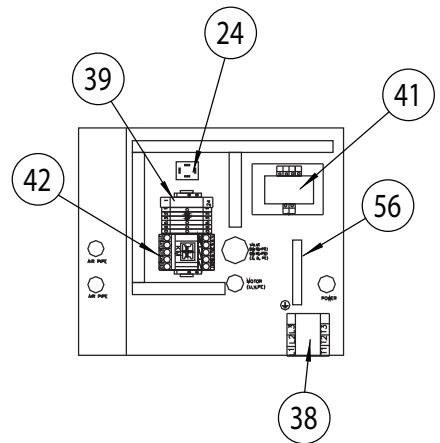
ITEM	NO. PIÈCE	DESCRIPTION	ITEM	NO. PIÈCE	DESCRIPTION
1	B42-8	8MM GROSSE RONDELLE	31	XX140058	CYLINDRE MAÎTRE
2	B10-6X12	BOULON À TÊTE HEXAGONALE À BRIDE M6X12	32	FKZJ-201C	COLLECTEUR
3	MS715-9-H02	LOQUET	33	FKZJ-201B	COLLECTEUR
	AB302	VERROU DE VERROUILLAGE POUR LES ANCIENS MODÈLES	34	XX140065	LIBÉRATION DU CRAN DE SÛRETÉ À VALVE CYLINDRIQUE
4	B10-8X25	BOULON À TÊTE HEXAGONALE M8X25	35	DQ-QJ-00038	VOYANT D'ALIMENTATION
5	B10-6X25	BOULON À TÊTE HEXAGONALE M6X25	36	DQ-QJ-00002	BOUTON-POUSSOIR MONTER (XX110018)
6	B20-8X70	DOUILLE HEXAGONALE À VIS À TÊTE BOUCHON M8X70	37	DQ-QJ-00001	BOUTON-POUSSOIR DESCENDRE (XX110018)
7	B30-6	ÉCROU HEXAGONALE M6	38	DQ-QJ-00034	SECTIONNEUR
8	B30-8	ÉCROU HEXAGONALE M8	39	DQ-QJ-00050	BLOC DE JONCTION (XX110017, XX110020)
9	B40-6	RONDELLE DE BLOCAGE 6		DQ-QJ-00055	BLOC DE JONCTION (XX110018)
10	B40-8	RONDELLE DE BLOCAGE 8	40	AG-25W	CONTRE-ÉCROU
11	B41-6	RONDELLE PLATE 6	41	XX100026	TRANSFORMEUR (XX110018)
12	B41-8	RONDELLE PLATE		DQ-QJ-00035	TRANSFORMEUR (XX110018)
13	BAF-5R-6S-C-H-9-UL	INTERRUPTEUR DE PRESSION	42	DQ-QJ-00005	CONTACTEUR (XX110018)
14	C18311N21	CONNECTEUR DIN	43	DBS35-9801-1	BOYAU HYDRAULIQUE
15	XX130195	COUVERCLE ÉLECTRIQUE	44	XX140037	FUSIBLE DE VITESSE
16	B23-4X6	VIS 4X6, PHMS	45	DSS35-9801-5	TUYAU D'ACIER HYDRAULIQUE
17	PG135	SERRE-CÂBLE	46	DSS35-9801-6	TUYAU D'ACIER HYDRAULIQUE
18	DSS35-9802-1	RACCORD	47	M130028Y	RACCORD COUDÉ
19	FJ7352-3	ADAPTEUR	48	B14-3/8X70	ANCRAGE DE CABINET
20	3288813	CLAPET À BILLE	49	NA	NA
21	SW-002	RACCORD COUDÉ	50	DQ-QJ-00052	RELAIS DE PUISSANCE
22	P3668	1Ø 60Hz 220V UNITÉ DE PUISSANCE	51	DR-100-24	INTERRUPTEUR D'ALIMENTATION
	P3671	1Ø 50Hz 220V UNITÉ DE PUISSANCE	52	KBPC2510	PONT REDRESSEUR
	P3660	3Ø 50/60Hz 460V UNITÉ DE PUISSANCE	53	S130405	FILTRE-RÉGULATEUR-LUBRIFICATEUR
23	DQ-QJ-00053	INTERRUPTEUR D'ALIMENTATION (DR-100-24)	54	EPL6-N02	COUDE MÂLE
24	DQ-QJ-00056	PONT REDRESSEUR (KBPC2510)	55	EPL6-N02	COUDE MÂLE
25	PV-2005	L'UNITÉ DE PUISSANCE RELIE LA TIGE AVEC LE PARE-CHOC	56	DQ-QJ-00046	BARRE DE MISE À LA TERRE
26	EPC8-G02	RACCORD D'AIR -Y	57	FA9194	DIODE (XX110017) (NON MONTRÉE)
27	XX110014	CABINET, VERSION AMÉRICAINE	58	XX140078	CONTRÔLE DE FLUX O-RING (NON MONTRÉE)
28	XX130178	BAGUE DU CYLINDRE DU CABINET	59	XX100041	KIT DE REMPLACEMENT DE CHARNIÈRE (NON MONTRÉE)
29	XX130179	AGRAFE DE SOUTIEN DU CABINET			
30	XX130190	AGRAFE DE SOUTIEN DU CABINET			



XX110017, XX110020
(Single Phase)

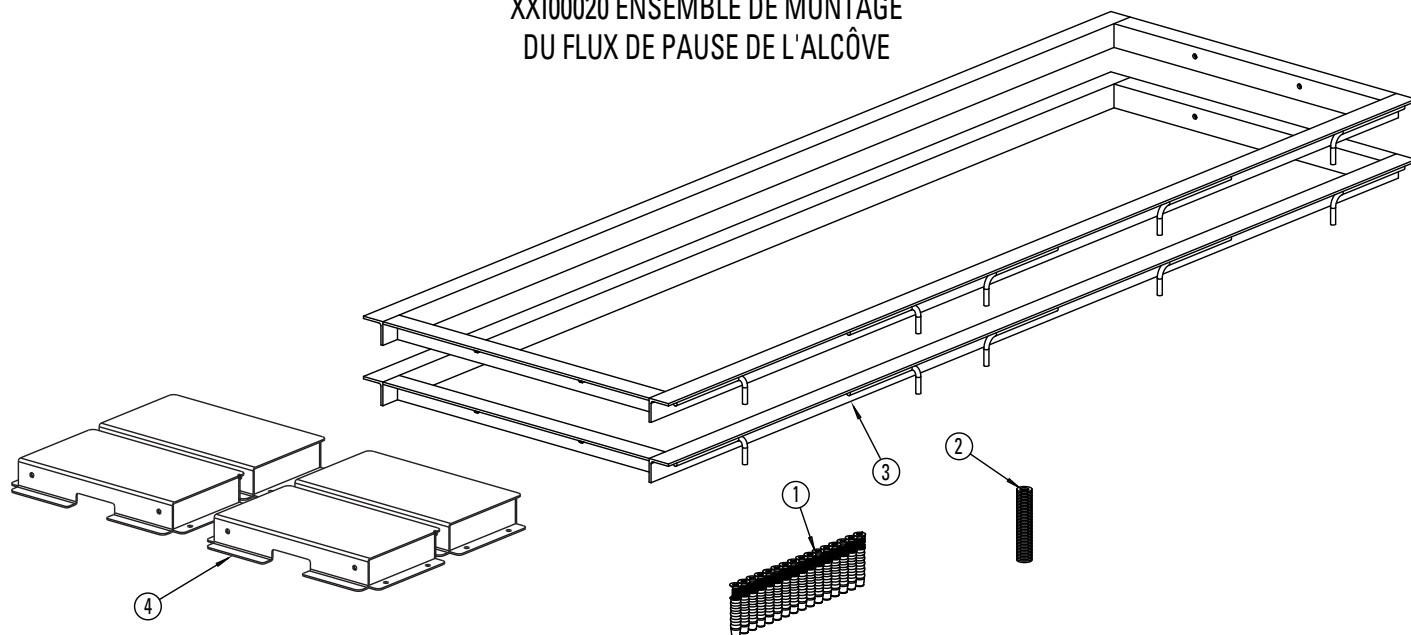


XX110018 WITH XX100026
(Three Phase)

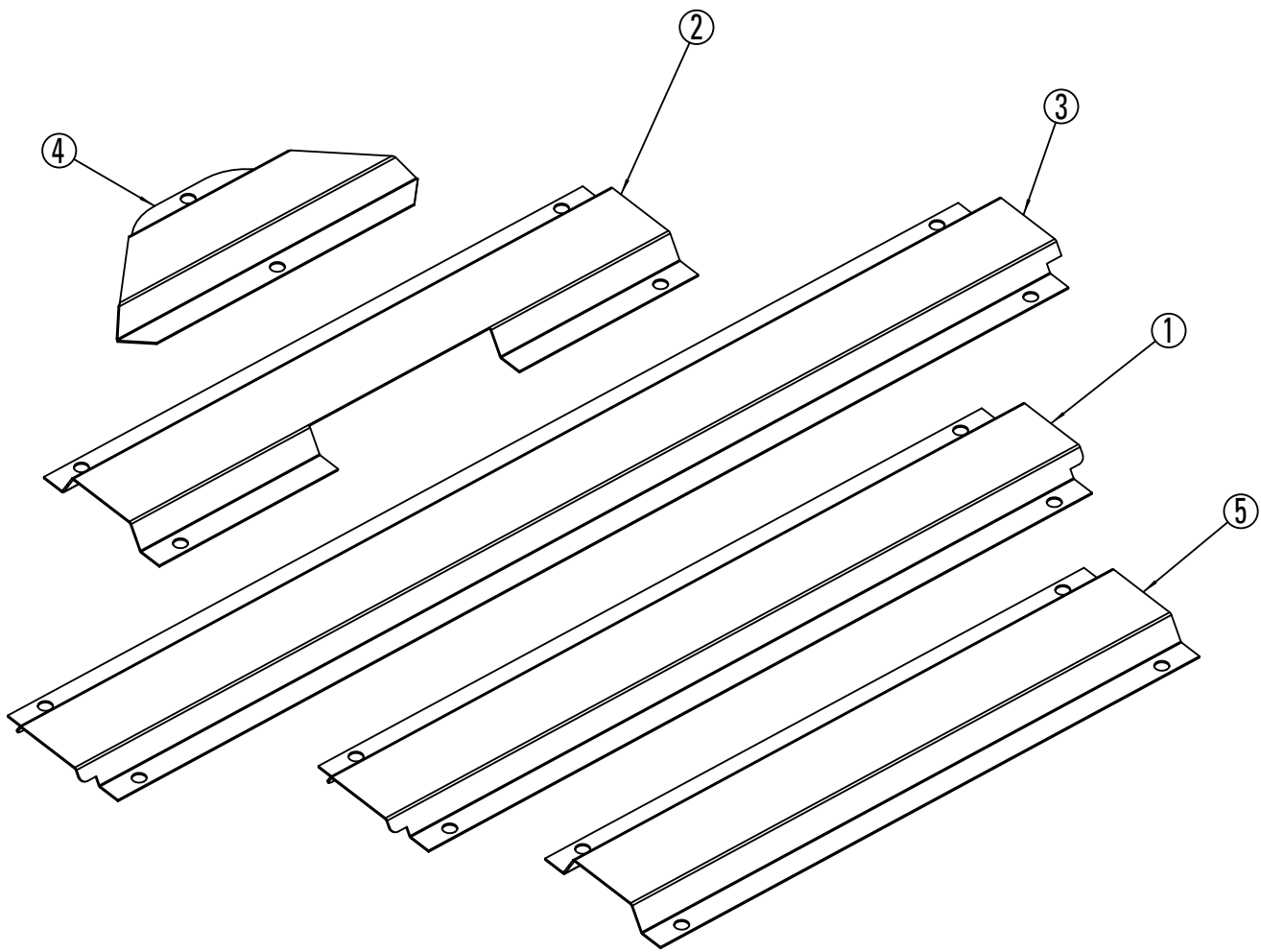


XX110018
(Three Phase)

XXI00020 ENSEMBLE DE MONTAGE
DU FLUX DE PAUSE DE L'ALCÔVE



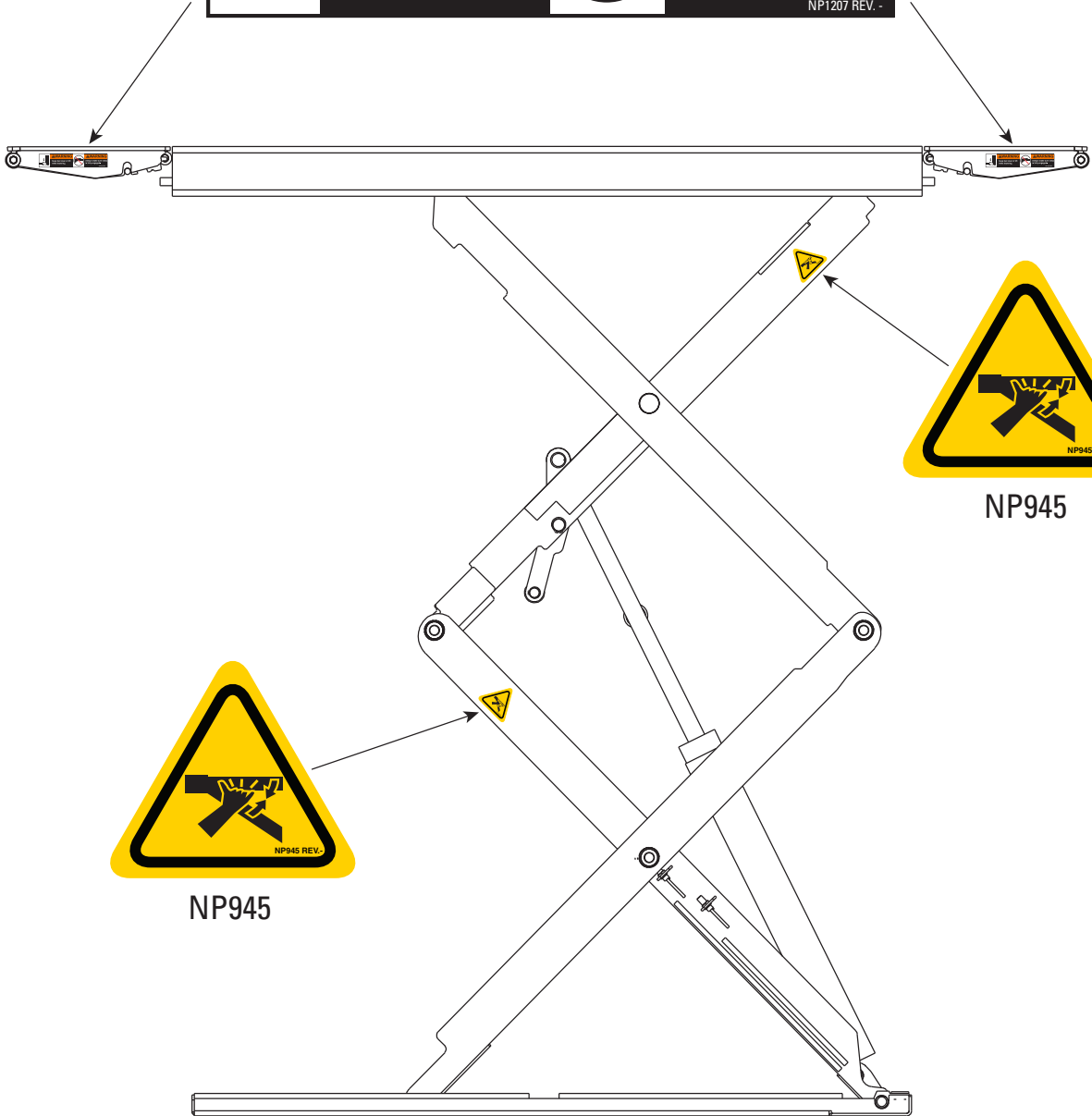
ITEM	QTÉ	NO. PIÈCE	DESCRIPTION
1	16	B14B-6X40	ANCRAGE EN NYLON
2	16	B41-8	RONDELLE PLATE Ø 8
3	2	XX120022	ALCÔVE DE SOUDAGE
4	4	XX120030	BOITE DE NICHE



ITEM	QTÉ	NO. PIÈCE	DESCRIPTION
1	2	XX130091Y	COUVRE-BOYAU
2	2	XX130092Y	COUVRE-BOYAU
3	2	XX130111Y	COUVRE-BOYAU
4	1	XX130141Y	COUVRE-BOYAU 45°
5	2	XX130156Y	COUVRE-BOYAU

NP1207

	⚠ WARNING Keep feet clear of lift while lowering.		⚠ WARNING Always make sure ramp is fully engaged. <small>NP1207 REV. -</small>
---	---	---	---



⚠ WARNING

This unit is supplied by more than one source of energy. Be sure to disconnect all energy sources at main power supply using appropriate lockout/tagout procedures. Before servicing this control panel the lift **MUST** be lowered. Only allow qualified lift service personnel to service control panel.

NP715

CAPACITY
7700 LBS.
(3500 Kg.)

NP1190 Rev. A



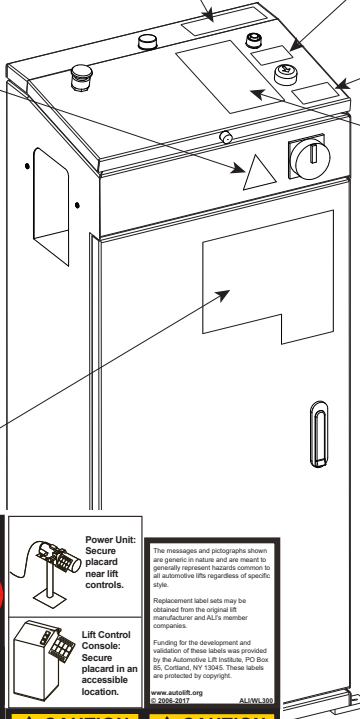
NP584

- Warning label pictographs used with permission of the Automotive Lift Institute.
- Pictografías de etiquetas de advertencia utilizadas con permiso del Automotive Lift Institute.
- Pictogrammes d'avertissement utilisés avec la permission du Automotive Lift Institute.
- Pictogramas de advertência usados com permissão do Automotive Lift Institute.

NOTICE

If attachments, accessories, or configuration modifying components used on this lift are located in the load path and affect operation of the lift, affect the lift electrical listing, or affect intended vehicle accommodation; and if they are not certified for use on this lift, then the certification of this lift shall become null and void. Contact the participant for information pertaining to certified attachments, accessories, or configuration modifying components.

www.autolift.org ©2011 by ALI, Inc. ALI/WLSIA01



NP1188

ALI WL300

⚠ WARNING Position vehicle with center of gravity midway between adapters.	⚠ WARNING Remain clear of lift when raising or lowering vehicle.	⚠ WARNING Keep feet clear of lift while lowering.	⚠ CAUTION Lift to be used by trained operator only.	Power Unit: Secure placard near lift controls.	<small>The messages and pictographs shown are generic in nature and are meant to generally represent hazards common to all automotive lifts regardless of specific style. Replacement label sets may be obtained from the original lift manufacturer and ALI's member companies. Funding for the development and validation of these labels was provided by the Automotive Lift Institute, 400 Bush 85, Cortland, NY 13845. These labels are protected by copyright. www.autolift.org ©2009-2011 ALI/WL300</small>
⚠ WARNING Clear area if vehicle is in danger of falling.	⚠ WARNING Avoid excessive rocking of vehicle while on lift.	⚠ WARNING Keep clear of pinch points when lift is moving.	⚠ CAUTION Authorized personnel only in lift area.	⚠ CAUTION Use vehicle manufacturer's lift points.	⚠ CAUTION Always use safety stands when removing or installing heavy components.
NOTICE Read operating and safety manuals before using lift.	NOTICE Proper maintenance and inspection is necessary for safe operation.	NOTICE Do not operate a damaged lift.			

! Read and heed all Warning, Caution and Safety Instruction, on lift. Comply with all Health and Safety regulations.

The lift must be used for its intended purpose. Refer to the operating manual. The lift may only be operated by authorized staff.

The main switch is also an emergency stop switch. In case of emergency, turn the switch to "0".
Secure the lift against unauthorized use by locking the main switch.

Do not exceed the load capacity specified on the nameplate. The weight distribution of each platform may not exceed the value given in the operating manual.

Always lower to locks Fully lower lift before loading

Check lift operation before use. Center vehicle on platforms, there must be no obstructions on or near lift while raising or lowering.

Do not leave lift at full rise for long periods. Always lower to locks.

Vehicle doors **MUST** be closed. Do not loiter around lift while in operation. Do not climb on raised vehicle or lift.

Press "LOWER" button and "LOCK RELEASE" button to lower lift. Lift must be raised initially off locks before lowering.

TROUBLESHOOTING AND MAINTENANCE Refer to the Operating and Service Manual.

NP1188 Rev. A

Remarques

Vehicle Service GroupSM
2700 Lanier Drive
Madison, IN 47250, États-Unis
1-800-640-5438
www.vsgdover.com



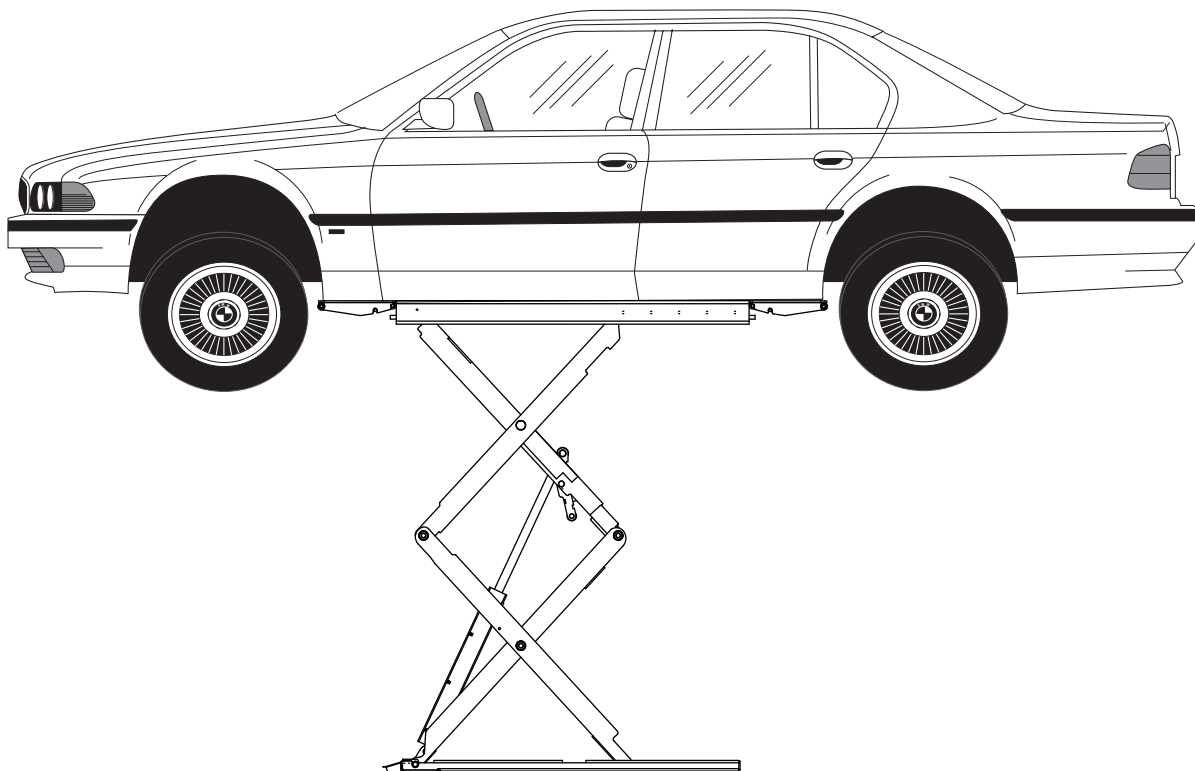
© **Vehicle Service GroupSM**
Tous droits réservés. À moins d'indication contraire,
Vehicle Service GroupSM, et toutes les autres
marques déposées sont la propriété de
Dover Corporation et ses filiales.

Descrição de peças

Elevador de tesoura de dupla seção

(Série 000)

Capacidade 7.700 lb (3.500 kg)
(Máximo de 3.850 lb - 1.750 kg - por calço)



REGISTRO DO PROPRIETÁRIO

Preencha as informações corretamente e mantenha em um local seguro.

Data de instalação _____

Instalado na baia nº _____

Nº de série da unidade de potência _____

Nº do modelo da unidade de potência _____

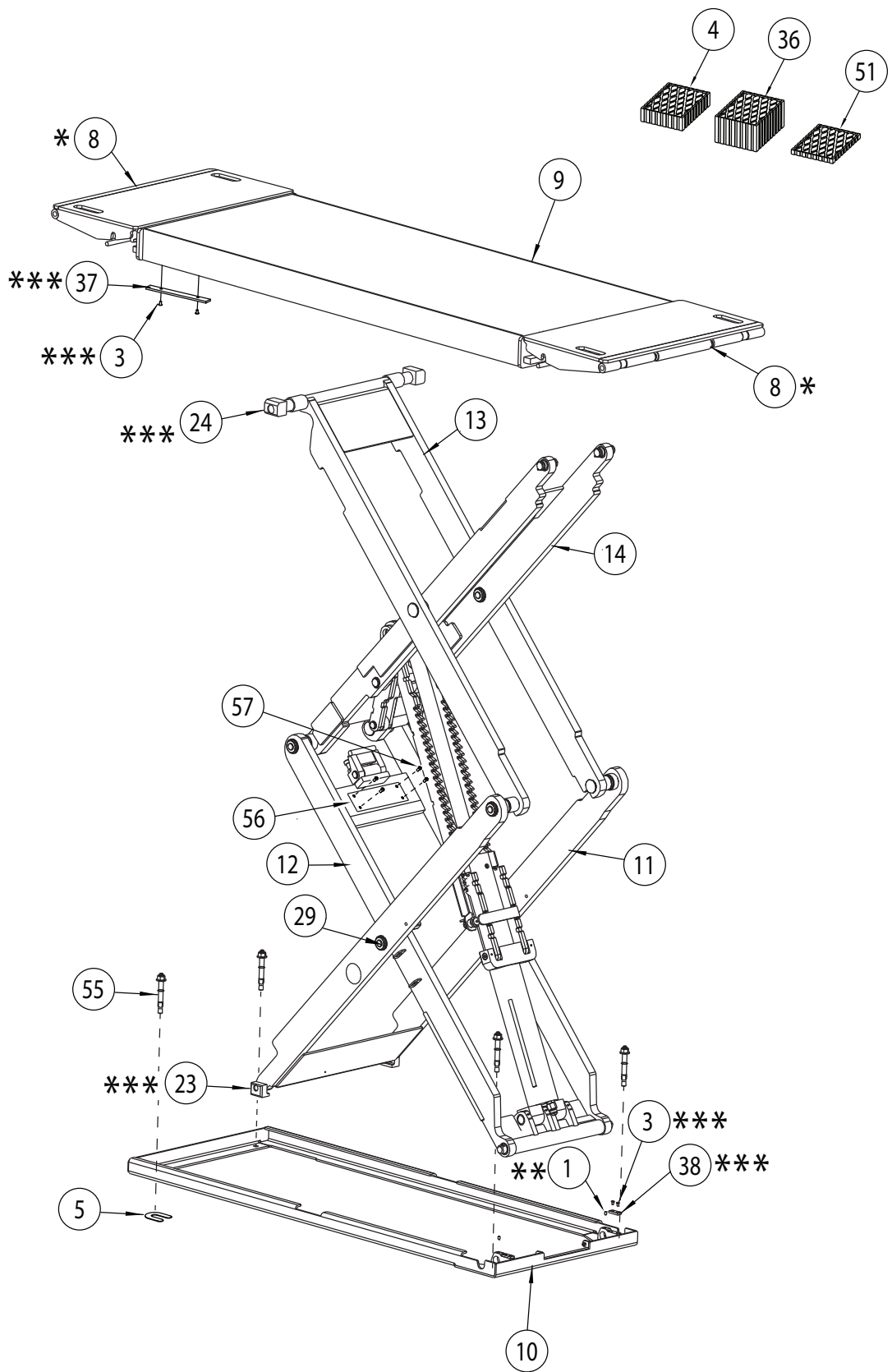
Nº de série do elevador _____

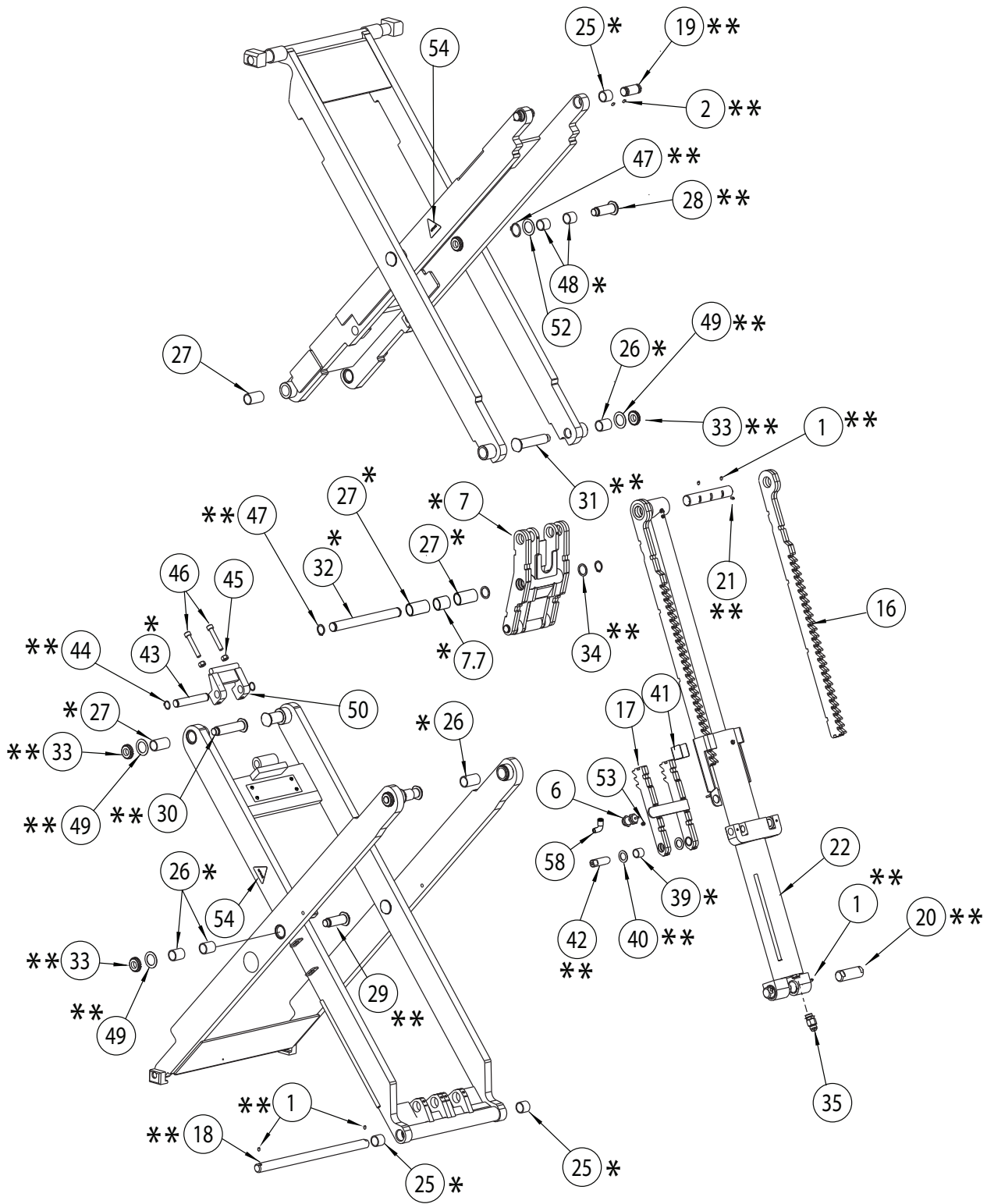
Nº do modelo do elevador _____

OBSERVAÇÃO: Para peças de reposição - Consulte o seu distribuidor de peças Rotary mais próximo.

LP20632

ITEM	Nº DA PEÇA	DESCRIÇÃO
1	B21-6X10	PARAFUSO DO CONJUNTO DE SOQUETE SEXTAVADO COM CABEÇA PLANA M6X10
2	B22-6X10	PARAFUSO DO CONJUNTO DE SOQUETE SEXTAVADO COM CABEÇA PONTUDA M6X10
3	B26-5X10	SOQUETE DE CABEÇA PLANA EMBUTIDA MS M5X10
4	FJ2427	BLOCO DE BORRACHA
5	30400-1025	CALÇO
6	ML50-1605	TRAVA DE LIBERAÇÃO DO CILINDRO DE AR
7	XX110001	CONJUNTO DO TIRANTE
8	XX110036	CONJUNTO DA RAMPA
9	XX120001	SOLDAGEM DA PLATAFORMA
10	XX120002	SOLDAGEM DA BASE
11	XX120003	SOLDA DA PERNA DA TESOURA
12	XX120004	SOLDA DA PERNA DA TESOURA
13	XX120120	SOLDA DA PERNA DA TESOURA
14	XX120130	SOLDA DA PERNA DA TESOURA
16	XX120023	SOLDAGEM DAS TRAVAS DO ELEVADOR
17	XX120024	SOLDA DA BARRA DA TRAVA DE MANDÍBULA
18	XX130080	PINO, LONGO
19	XX130081	PINO, LONGO
20	XX130082	PINO DO CILINDRO INFERIOR
21	XX130086	PINO DO CILINDRO SUPERIOR
22	XX140005	CILINDRO
23	XX140007	BLOCO DESLIZANTE (INFERIOR)
24	XX140008	BLOCO DESLIZANTE (SUPERIOR)
25	XX140014Y	ROLAMENTO, 25 DIÂM. X 25 LONGO
26	XX140015Y	ROLAMENTO, 25 DIÂM. X 35 LONGO
27	XX140019Y	ROLAMENTO, 25 DIÂM. X 50 LONGO
28	XX140021	PINO CENTRAL SUPERIOR
29	XX140022	PINO CENTRAL INFERIOR
30	XX140023	PINO, LONGO
31	XX140024	PINO, CURTO
32	XX140025	PINO CENTRAL DO TIRANTE
33	XG130007	CONTRAPORCA ARREDONDADA COM FENDA M20x1.0
34	XX140029	ARRUELA, PLÁSTICA FINA
35	XX140080	FUSÍVEL DE VELOCIDADE
36	FJ2428	BLOCO DE BORRACHA
37	XX140047	AMORTECEDOR DA PLATAFORMA
38	XX140048	TRILHO DA PLATAFORMA
39	XX140053Y	ROLAMENTO, 20 DIÂM. X 20 LONGO
40	XX140054	ARRUELA, PLÁSTICA FINA
41	XX140055	BLOCO DESLIZANTE
42	XX140056	PINO
43	XX130214	PINO
44	B60-20	ANEL DE PRESSÃO
45	B30-10	PORCA
46	B201-10X65	PARAFUSO SEXTAVADO M10 X 65
47	B63-25	ANEL DE PRESSÃO
48	XX140062	ROLAMENTO, 25 DIÂM. X 30 LONGO
49	K35-7010	ARRUELA Ø19
50	XX130210	SOLDAGEM DO COXIM
51	SB700071Y	BLOCO DE BORRACHA
52	B41-24	ARRUELA Ø24
53	B35-5	PORCA M5
54	NP945	PLACA DE IDENTIFICAÇÃO
55	FJ1009	FIXAÇÃO
56	XX130225	PLACA DE AÇO INOXIDÁVEL
57	B25-6X12	PARAFUSO M6 X 12
58	FJ895	O COTOVELO

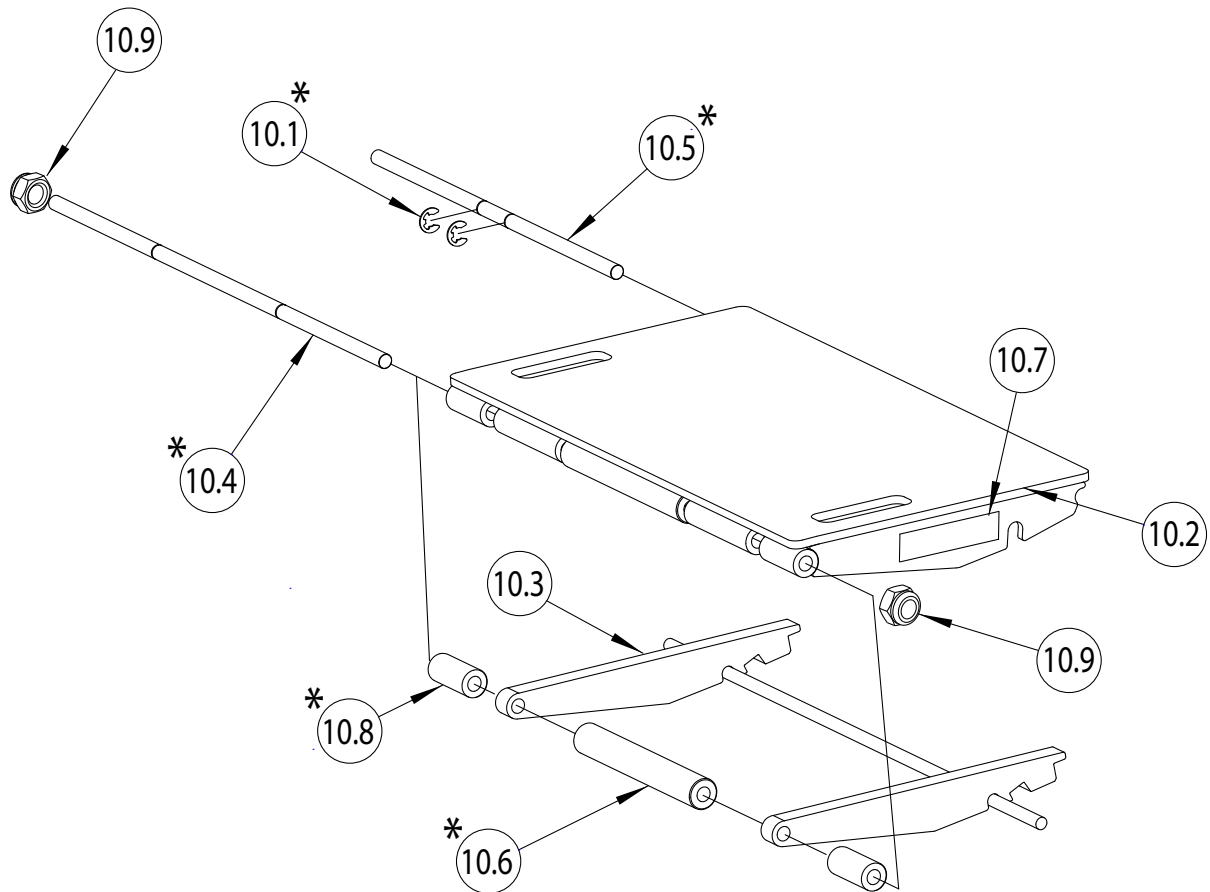




* OBSERVAÇÃO: O CONJUNTO DE SUBSTITUIÇÃO DO ROLAMENTO XX100011 INCLUI OS ROLAMENTOS DESCRITOS ACIMA PARA **UMA** PLATAFORMA. PARA O ELEVADOR COMPLETO **DOIS** CONJUNTOS DE ROLAMENTOS DEVEM SER SOLICITADOS.

** OBSERVAÇÃO: O CONJUNTO DE SUBSTITUIÇÃO DO PINO XX100007 INCLUI OS PINOS DESCRITOS ACIMA PARA **UMA** PLATAFORMA. PARA O ELEVADOR COMPLETO **DOIS** CONJUNTOS DE PINOS DEVEM SER SOLICITADOS.

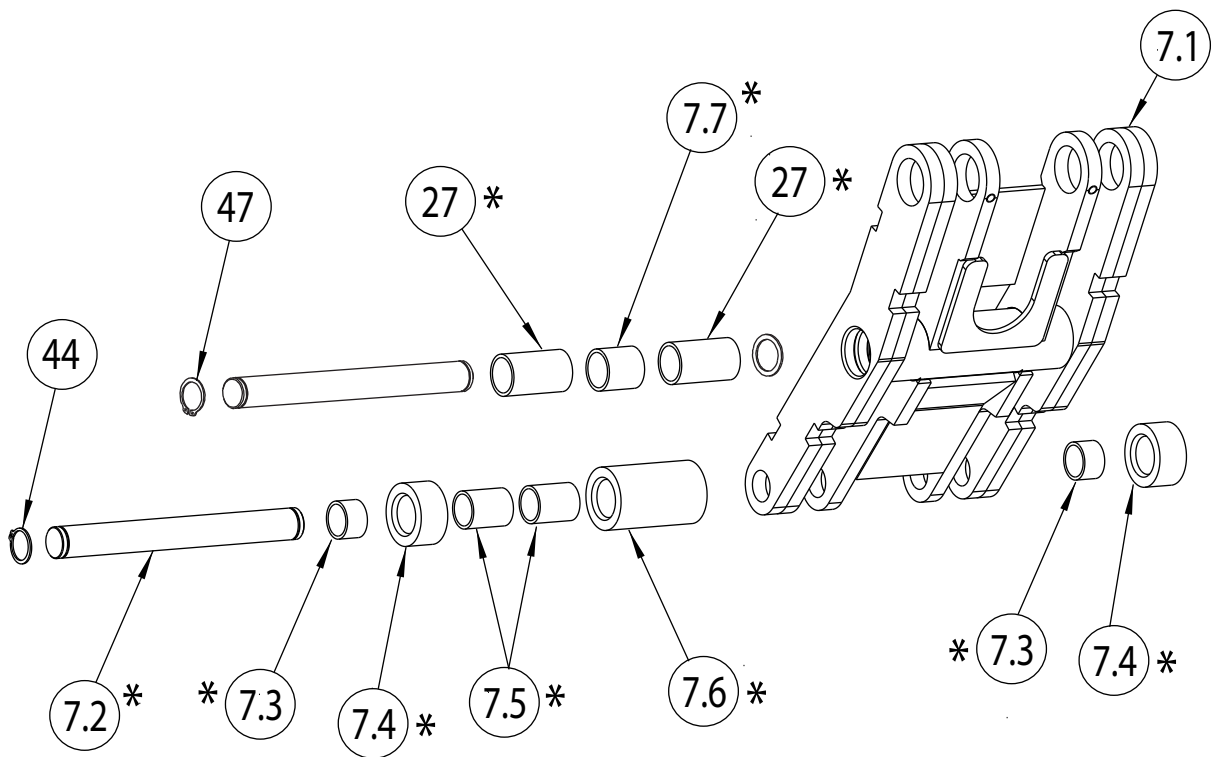
*** OBSERVAÇÃO: O CONJUNTO DE SUBSTITUIÇÃO DO DESLIZADOR XX100017 INCLUI OS DESLIZADORES DESCRITOS ACIMA PARA **AMBAS** AS PLATAFORMAS (ELEVADOR COMPLETO).



CONJUNTO DA RAMPA

ITEM	Nº DA PEÇA	DESCRIÇÃO
10.1	B61-12	E-CLIP 14 MM
10.2	XX120007	SOLDAGEM DA RAMPA
10.3	XX120008	SOLDAGEM DO SUPORTE DA RAMPA
10.4	XX140041	EIXO DO ROLO DA RAMPA
10.5	XX130064	EIXO DO ROLO DA RAMPA
10.6	XX140009	ROLO DA RAMPA
10.7	NP1207	PLACA DE IDENTIFICAÇÃO
10.8	XX130236	ROLO PEQUENO
10.9	B33-12	M12 NYLON LOCK NUT

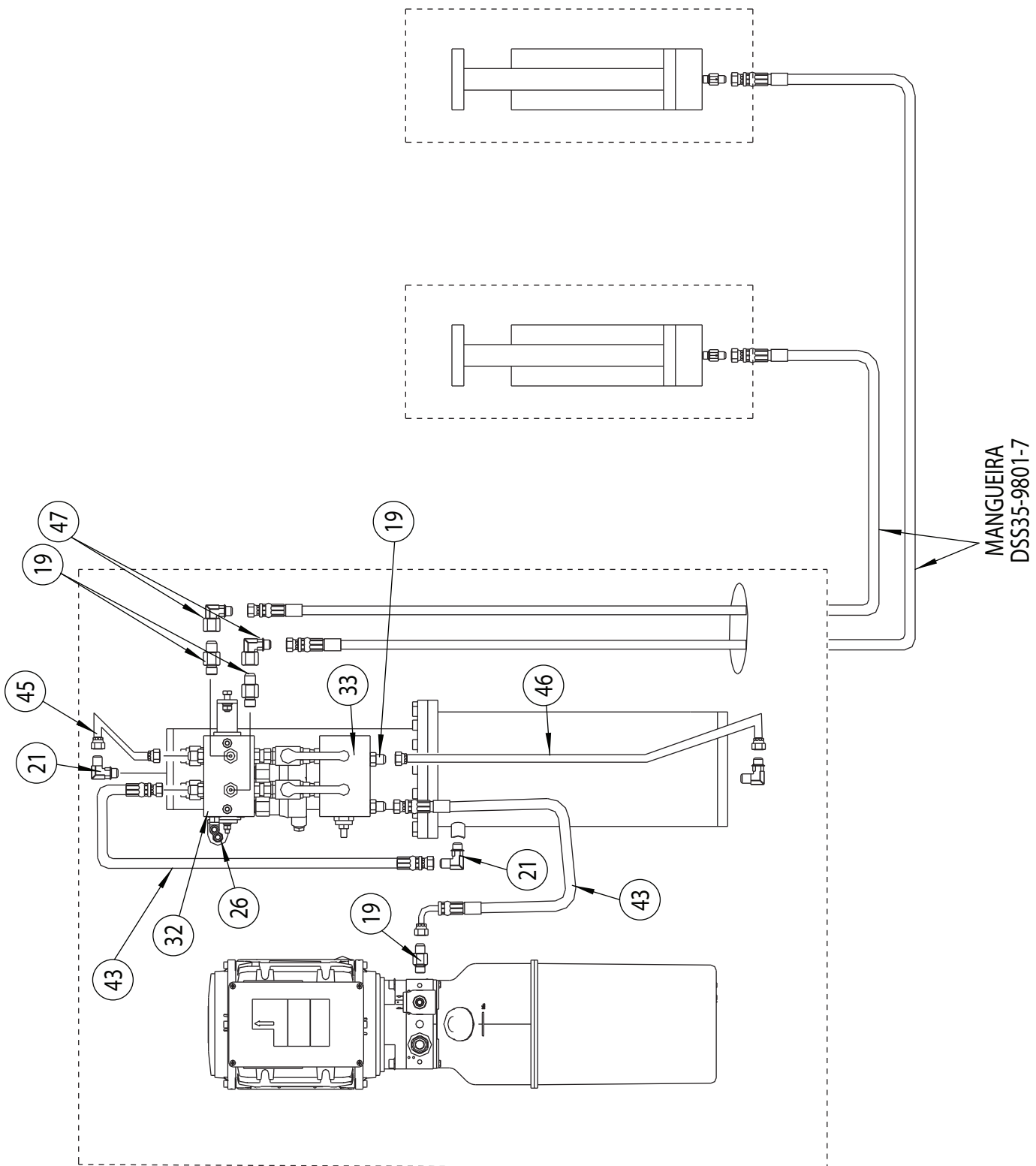
* OBSERVAÇÃO: O CONJUNTO DE SUBSTITUIÇÃO DO ROLO DA RAMPA XX100040 INCLUI OS ROLOS E EIXO DO ROLO DESCRITOS ACIMA PARA QUATRO RAMPAS.

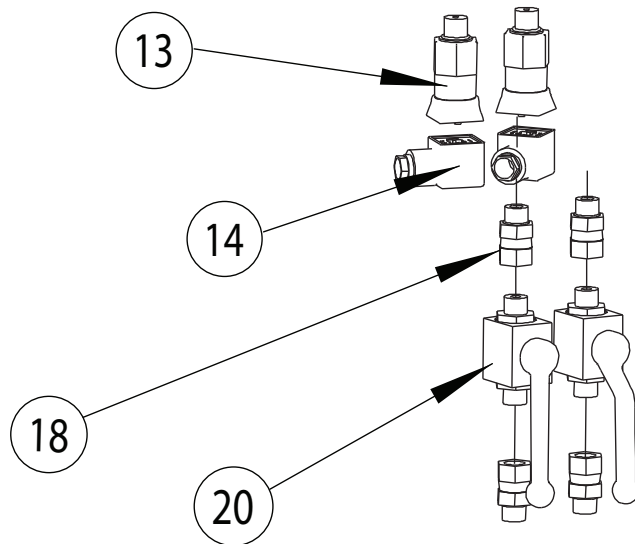


CONJUNTO DO TIRANTE

ITEM	Nº DA PEÇA	DESCRIÇÃO
7.1	XX120009	SOLDA DO TIRANTE
7.2	XX130036	PINO DO ROLO
7.3	XX140060	ROLAMENTO, 20 DIÂM. X 15 LONGO
7.4	XX140020	ROLO
7.5	XX140059	ROLAMENTO, 25 DIÂM. X 30 LONGO
7.6	XX140004	ROLO
7.7	XX140067Y	ROLAMENTO, 25 DIÂM. X 70 LONGO

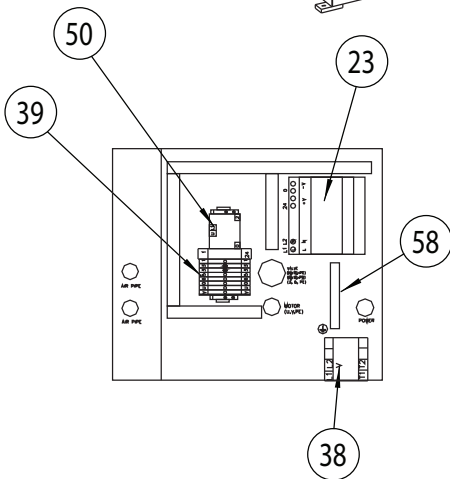
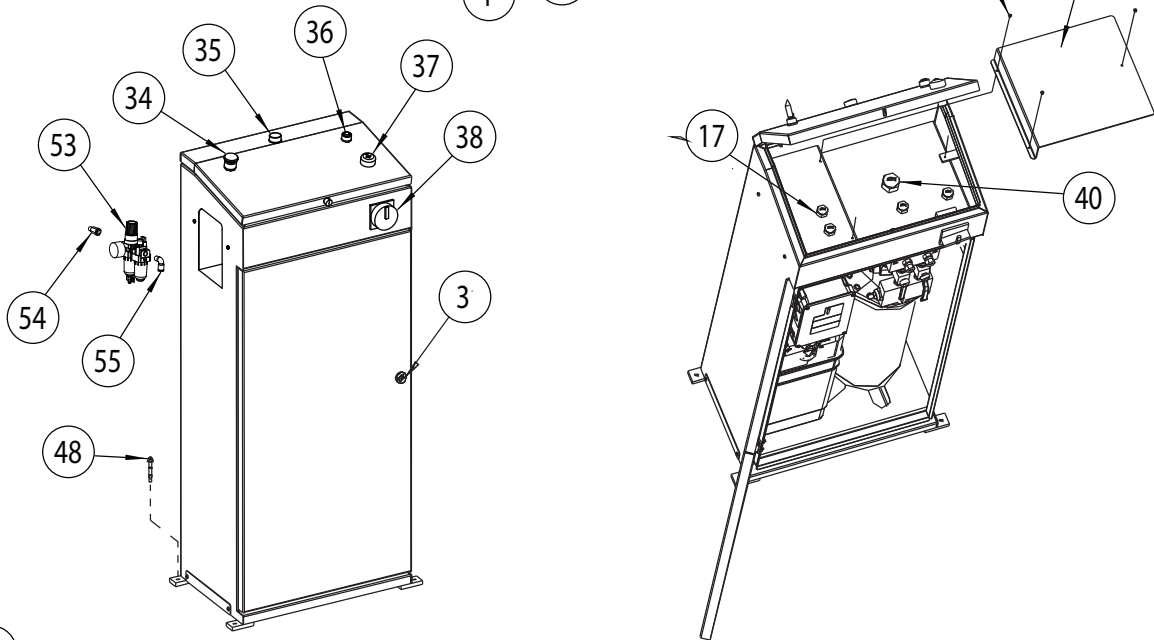
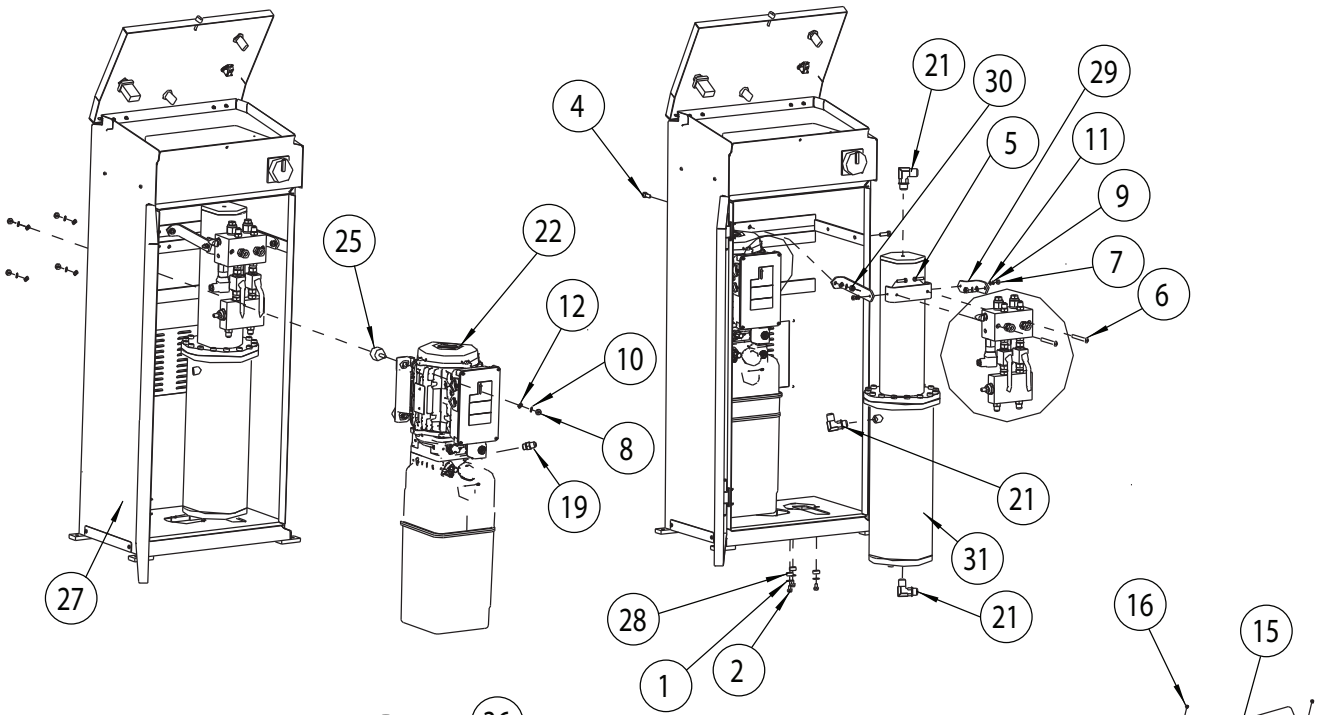
* OBSERVAÇÃO: O CONJUNTO DE SUBSTITUIÇÃO DO ROLO DA RAMPA XX100008 INCLUI O EIXO DO ROLO E PEÇAS DE ROLAMENTO PARA DUAS PLATAFORMAS.



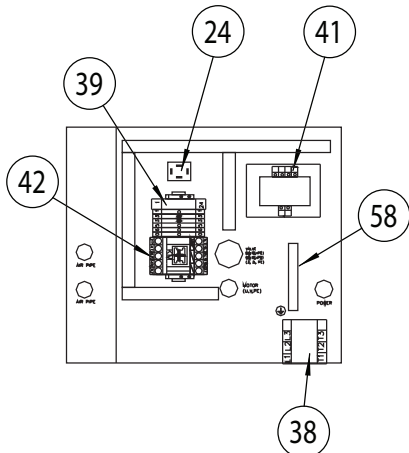


ITEM	QDE	Nº DA PEÇA	DESCRIÇÃO
13	2	BAF-SR-65-C-H-9-UL	CHAVE DE PRESSÃO
14	2	C18311N21	CONECTOR DIN
18	4	DSS35-9802-1	ENCAIXE
20	2	3288813	VÁLVULA DE ESFERA

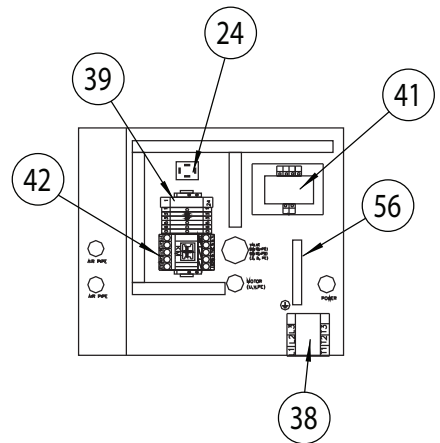
ITEM	Nº DA PEÇA	DESCRIÇÃO	ITEM	Nº DA PEÇA	DESCRIÇÃO
1	B42-8	ARRUELA GRANDE 8 MM	31	XX140058	CILINDRO MESTRE
2	B10-6X12	PARAFUSO SEXTAVADO DE FLANGE M6X12	32	FKZJ-201C	COLETOR
3	MS715-9-H02	ALÇA DE TRAVA	33	FKZJ-201B	COLETOR
	AB302	TRAVA PARA MODELOS ANTIGOS	34	XX140065	TRAVA DE LIBERAÇÃO DA VÁLVULA DE AR
4	B10-8X25	PARAFUSO DE CABEÇA SEXTAVADA M8X25	35	DQ-QJ-00038	LUZ DE ENERGIA
5	B10-6X25	PARAFUSO DE CABEÇA SEXTAVADA M6X25	36	DQ-QJ-00002	BOTÃO DE PRESSÃO DE SUBIDA (XX110018)
6	B20-8X70	TAMPA DA CABEÇA DO PARAFUSO DO SOQUETE SEXTAVADO M8X70	37	DQ-QJ-00001	BOTÃO DE PRESSÃO DE DESCIDA (XX110018)
7	B30-6	PORCA SEXTAVADA M6	38	DQ-QJ-00034	CHAVE DE DESCONEXÃO
8	B30-8	PORCA SEXTAVADA M8	39	DQ-QJ-00050	BLOCO TERMINAL (XX110017, XX110020)
9	B40-6	ARRUELA DE PRESSÃO 6		DQ-QJ-00055	BLOCO TERMINAL (XX110018)
10	B40-8	ARRUELA DE PRESSÃO 8	40	AG-25W	PORCA DE PRESSÃO
11	B41-6	ARRUELA PLANA 6	41	XX100026	TRANSFORMADOR (XX110018)
12	B41-8	ARRUELA PLANA		DQ-QJ-00035	TRANSFORMADOR (XX110018)
13	BAF-5R-6S-C-H-9-UL	CHAVE DE PRESSÃO	42	DQ-QJ-00005	CONTATOR (XX110018)
14	C18311N21	CONECTOR DIN	43	DBS35-9801-1	MANGUEIRA HIDRÁULICA
15	XX130195	TAMPA ELÉTRICA	44	XX140037	FUSÍVEL DE VELOCIDADE
16	B23-4X6	PARAFUSO 4X6, PHMS	45	DSS35-9801-5	CANO DE AÇO HIDRÁULICO
17	PG135	ADERÊNCIA DO CABO	46	DSS35-9801-6	CANO DE AÇO HIDRÁULICO
18	DSS35-9802-1	ENCAIXE	47	M130028Y	ENCAIXE DE COTOVELO
19	FJ7352-3	ADAPTADOR	48	B14-3/8X70	FIXAÇÃO DO GABINETE
20	3288813	VÁLVULA DE ESFERA	49	NA	NA
21	SW-002	ENCAIXE DE COTOVELO	50	DQ-QJ-00052	RELÉ DE POTÊNCIA
22	P3668	UNIDADE DE POTÊNCIA 1Ø 60 Hz 220 V	51	DR-100-24	CHAVE DA FONTE DE ALIMENTAÇÃO
	P3671	UNIDADE DE POTÊNCIA 1Ø 50 Hz 220 V	52	KBPC2510	PONTE RETIFICADORA
	P3660	UNIDADE DE POTÊNCIA 3Ø 50/60 Hz 460 V	53	S130405	FILTRO-REGULADOR-LUBRICADOR
23	DQ-QJ-00053	CHAVE DA FONTE DE ALIMENTAÇÃO (DR-100-24)	54	EPL6-N02	COTOVELO MACHO
24	DQ-QJ-00056	PONTE RETIFICADORA (KBPC2510)	55	EPC6-N02	COTOVELO MACHO
25	PV-2005	HASTE DO CONEXÃO DA UNIDADE DE POTÊNCIA COM AMORTECEDOR	56	DQ-QJ-00046	BARRA DE ATERRAMENTO
26	EPC8-G02	ENCAIXE DE AR -Y	57	FA9194	DIODO (XX110017) (NÃO MOSTRADO)
27	XX110014	GABINETE, VERSÃO EUA	58	XX140078	O-RING DE CONTROLE DE FLUXO (NÃO MOSTRADO)
28	XX130178	MANCAL DO CILINDRO DO GABINETE	59	XX100041	KIT DE SUBSTITUIÇÃO DE DOBRADIÇA (NÃO MOSTRADO)
29	XX130179	SUPORTE DO CILINDRO DO GABINETE			
30	XX130190	SUPORTE DO CILINDRO DO GABINETE			



XX110017, XX110020
(Single Phase)

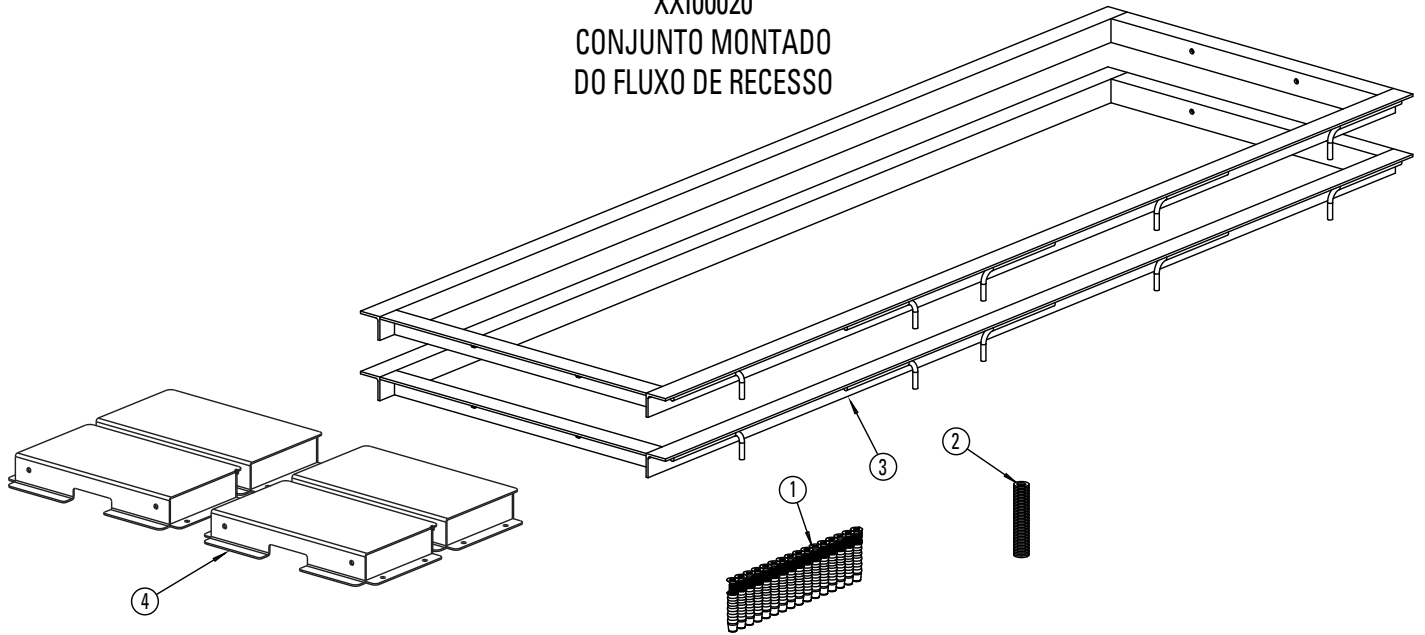


XX110018 WITH XX100026
(Three Phase)

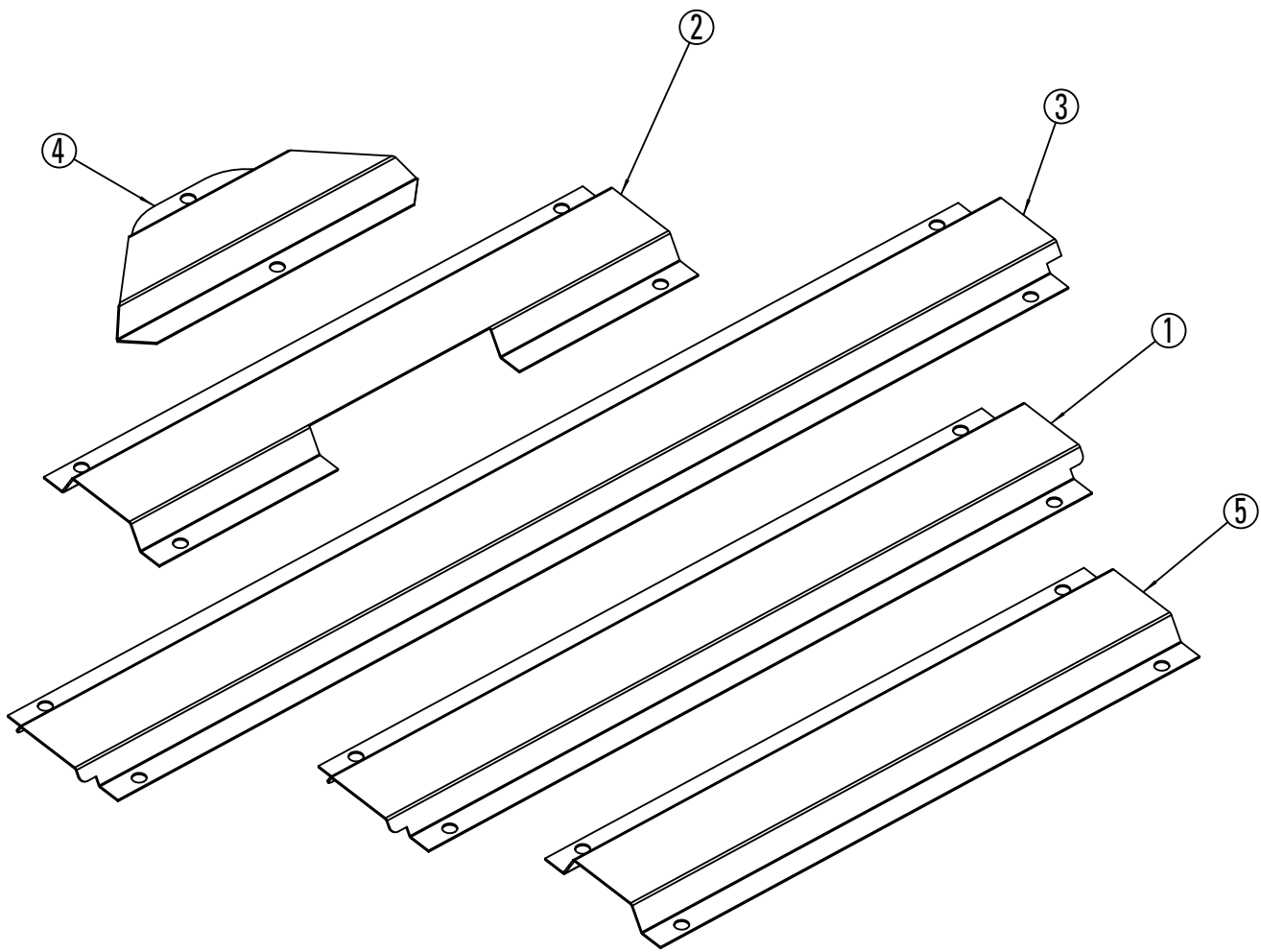


XX110018
(Three Phase)

XXI00020
 CONJUNTO MONTADO
 DO FLUXO DE RECESSO



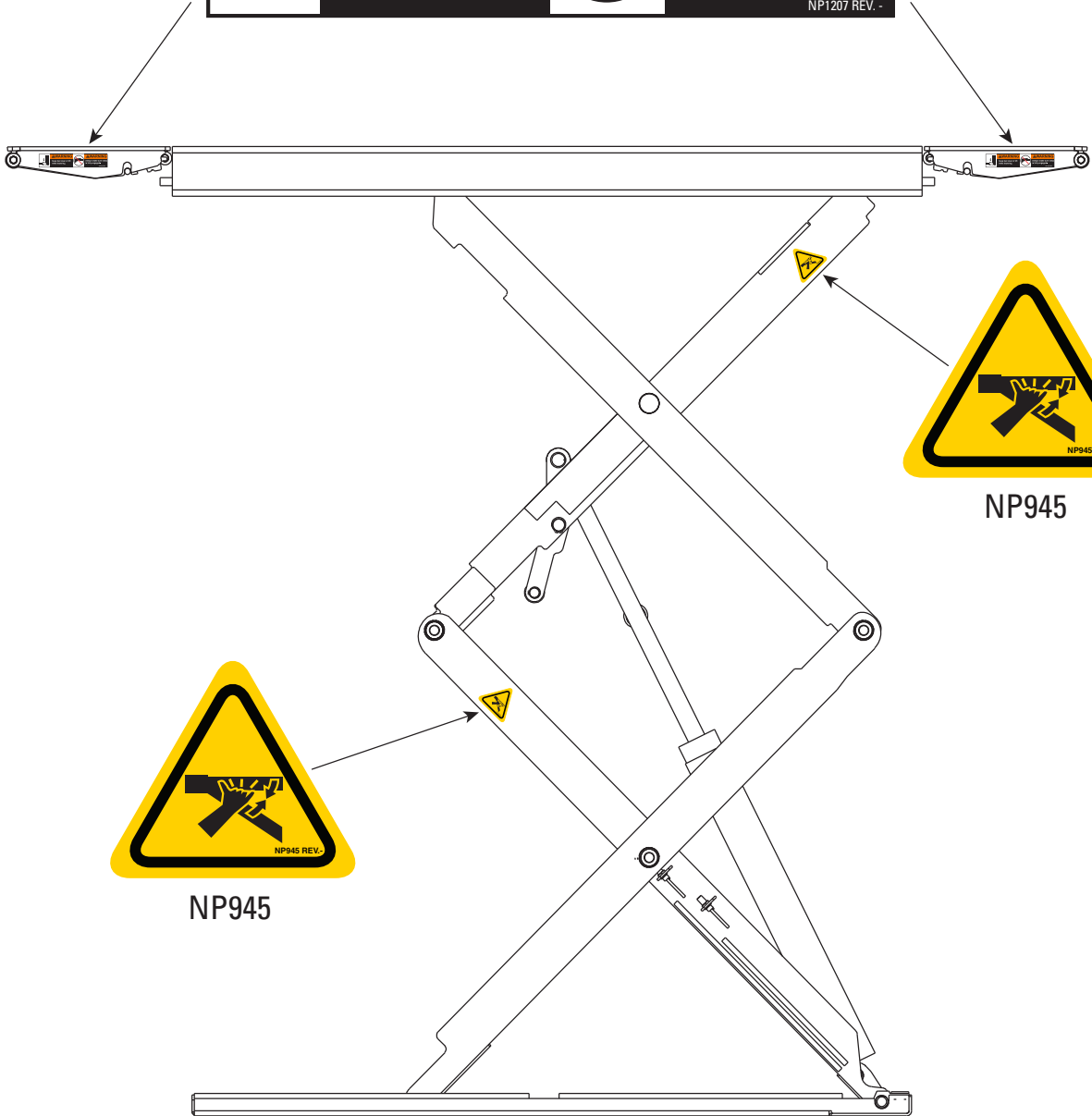
ITEM	QDE	Nº DA PEÇA	DESCRIÇÃO
1	16	B14B-6X40	FIXADOR DE NÁILON
2	16	B41-8	ARRUELA PLANA Ø8
3	2	XX120022	SOLDAGEM DO RECESSO
4	4	XX120030	CAIXA DE RECESSO



ITEM	QDE	Nº DA PEÇA	DESCRIÇÃO
1	2	XX130091Y	COBERTURA DA MANGUEIRA
2	2	XX130092Y	COBERTURA DA MANGUEIRA
3	2	XX130111Y	COBERTURA DA MANGUEIRA
4	1	XX130141Y	COBERTURA DA MANGUEIRA 45°
5	2	XX130156Y	COBERTURA DA MANGUEIRA

NP1207

	⚠ WARNING Keep feet clear of lift while lowering.		⚠ WARNING Always make sure ramp is fully engaged. <small>NP1207 REV. -</small>
---	---	---	---



⚠ WARNING

This unit is supplied by more than one source of energy. Be sure to disconnect all energy sources at main power supply using appropriate lockout/tagout procedures. Before servicing this control panel the lift **MUST** be lowered. Only allow qualified lift service personnel to service control panel.

NP715

CAPACITY
7700 LBS.
(3500 Kg.)

NP1190 Rev. A



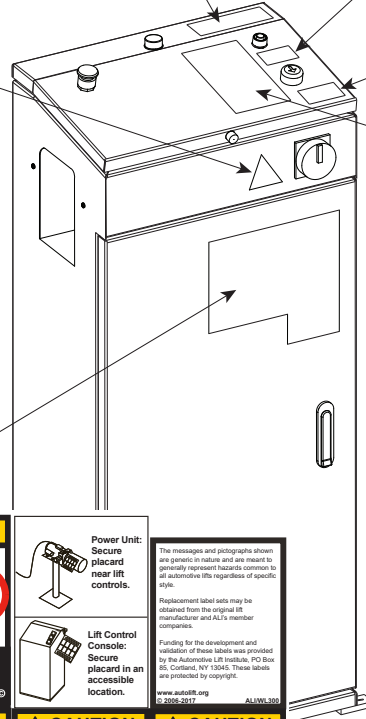
NP584

- Warning label pictographs used with permission of the Automotive Lift Institute.
- Pictografías de etiquetas de advertencia utilizadas con permiso del Automotive Lift Institute.
- Pictogrammes d'avertissement utilisés avec la permission du Automotive Lift Institute.
- Pictogramas de advertência usados com permissão do Automotive Lift Institute.

NOTICE

If attachments, accessories, or configuration modifying components used on this lift are located in the load path and affect operation of the lift, affect the lift electrical listing, or affect intended vehicle accommodation; and if they are not certified for use on this lift, then the certification of this lift shall become null and void. Contact the participant for information pertaining to certified attachments, accessories, or configuration modifying components.

www.autolift.org ©2011 by ALI, Inc. ALI/WLSIA01



ALI WL300

⚠ WARNING Position vehicle with center of gravity midway between adapters.	⚠ WARNING Remain clear of lift when raising or lowering vehicle.	⚠ WARNING Keep feet clear of lift while lowering.	⚠ CAUTION Lift to be used by trained operator only.	Power Unit: Secure placard near lift controls.	<small>The messages and pictographs shown are generic in nature and are meant to generally represent hazards common to all automotive lifts regardless of specific style.</small>
⚠ WARNING Clear area if vehicle is in danger of falling.	⚠ WARNING Avoid excessive rocking of vehicle while on lift.	⚠ WARNING Keep clear of pinch points when lift is moving.	⚠ CAUTION Authorized personnel only in lift area.	Lift Control Console: Secure placard in an accessible location.	<small>Replacement label sets may be obtained from the original lift manufacturer and ALI's member companies.</small>
⚠ CAUTION Use vehicle manufacturer's lift points.	⚠ CAUTION Always use safety stands when removing or installing heavy components.	⚠ CAUTION Always use safety stands when removing or installing heavy components.	⚠ CAUTION Always use safety stands when removing or installing heavy components.	<small>Funding for the development and validation of these labels was provided by the Automotive Lift Institute, 400 Bus 85, Cortland, NY 13845. These labels are protected by copyright.</small>	<small>www.autolift.org © 2009-2011 ALI/WL300</small>
NOTICE Read operating and safety manuals before using lift.	NOTICE Proper maintenance and inspection is necessary for safe operation.	NOTICE Do not operate a damaged lift.			

! Read and heed all Warning, Caution and Safety Instruction, on lift. Comply with all Health and Safety regulations.

📖 The lift must be used for its intended purpose. Refer to the operating manual. The lift may only be operated by authorized staff.

🔒 The main switch is also an emergency stop switch. In case of emergency, turn the switch to "0". Secure the lift against unauthorized use by locking the main switch.

📏 Do not exceed the load capacity specified on the nameplate. The weight distribution of each platform may not exceed the value given in the operating manual.

🚫

🔒 Always lower to locks Fully lower lift before loading

🚫 Check lift operation before use. Center vehicle on platforms, there must be no obstructions on or near lift while raising or lowering.

🔒 Do not leave lift at full rise for long periods. Always lower to locks.

🚫 Vehicle doors **MUST** be closed. Do not loiter around lift while in operation. Do not climb on raised vehicle or lift.

🔒 Press "LOWER" button and "LOCK RELEASE" button to lower lift. Lift must be raised initially off locks before lowering.

TROUBLESHOOTING AND MAINTENANCE Refer to the Operating and Service Manual.

NP1188 Rev. A

Observações

Vehicle Service GroupSM
2700 Lanier Drive
Madison, IN 47250, USA
1-800-640-5438
www.vsgdover.com



© **Vehicle Service GroupSM**
Todos os direitos reservados. Salvo disposição
em contrário indicado, **Vehicle Service GroupSM**,
e todas as outras marcas registradas são de
propriedade da Dover Corporation e suas afiliadas.