



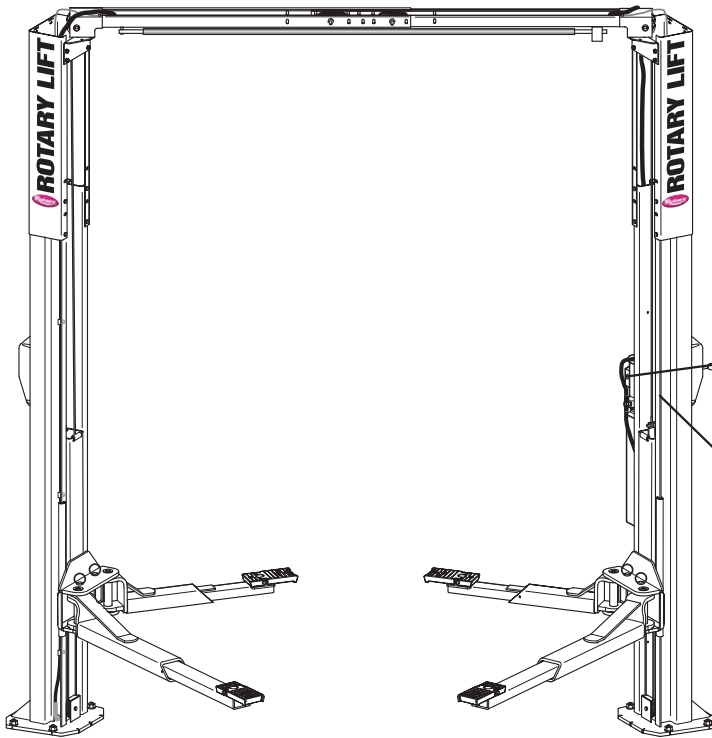
SPOA10NB, SPOA10, SPO10

(200 Series Lifts)

Capacity 10,000 lbs.

P
A
R
T
S

B
R
E
A
K
D
O
W
N



GHS™	PT#	_____	Nº	_____
	PH	_____	MAX AMB	_____
DUTY		_____	INS _____	
THERMAL PROTECTION		_____		
○ HP		_____	Kw	_____ ○
AMPS		_____	VOLTS	_____
HZ		_____	RPM	_____
IP		_____		
CE		WARNING: MOTOR MUST BE GROUNDED IN ACCORDANCE WITH LOCAL AND NATIONAL ELECTRICAL CODES TO PREVENT SERIOUS ELECTRICAL SHOCKS		

Rotary 800-445-5438	IMPORTANT		NPS3
	DO NOT REMOVE THIS TAG WARRANTY IDENTIFICATION		
MODEL:	_____		MADE IN THE USA
CAP. LBS:	_____		
SERIAL NUMBER	_____		
MANUFACTURED UNDER ONE OF THESE PATENTS 5009287			
Rotary Lift	A DOVER COMPANY	Madison, IN	

IMPORTANT: When ordering parts or requesting service always give exact model and power unit serial number. Model number is shown on nameplate attached to power unit column. Power unit serial number is located on side of power unit.

OWNERS RECORD
Complete information at right and keep in a safe place.

Date Installed _____

Installed in Bay # _____

Power Unit Serial # _____

Power Unit Model # _____

Lift Serial # _____

Lift Model # _____

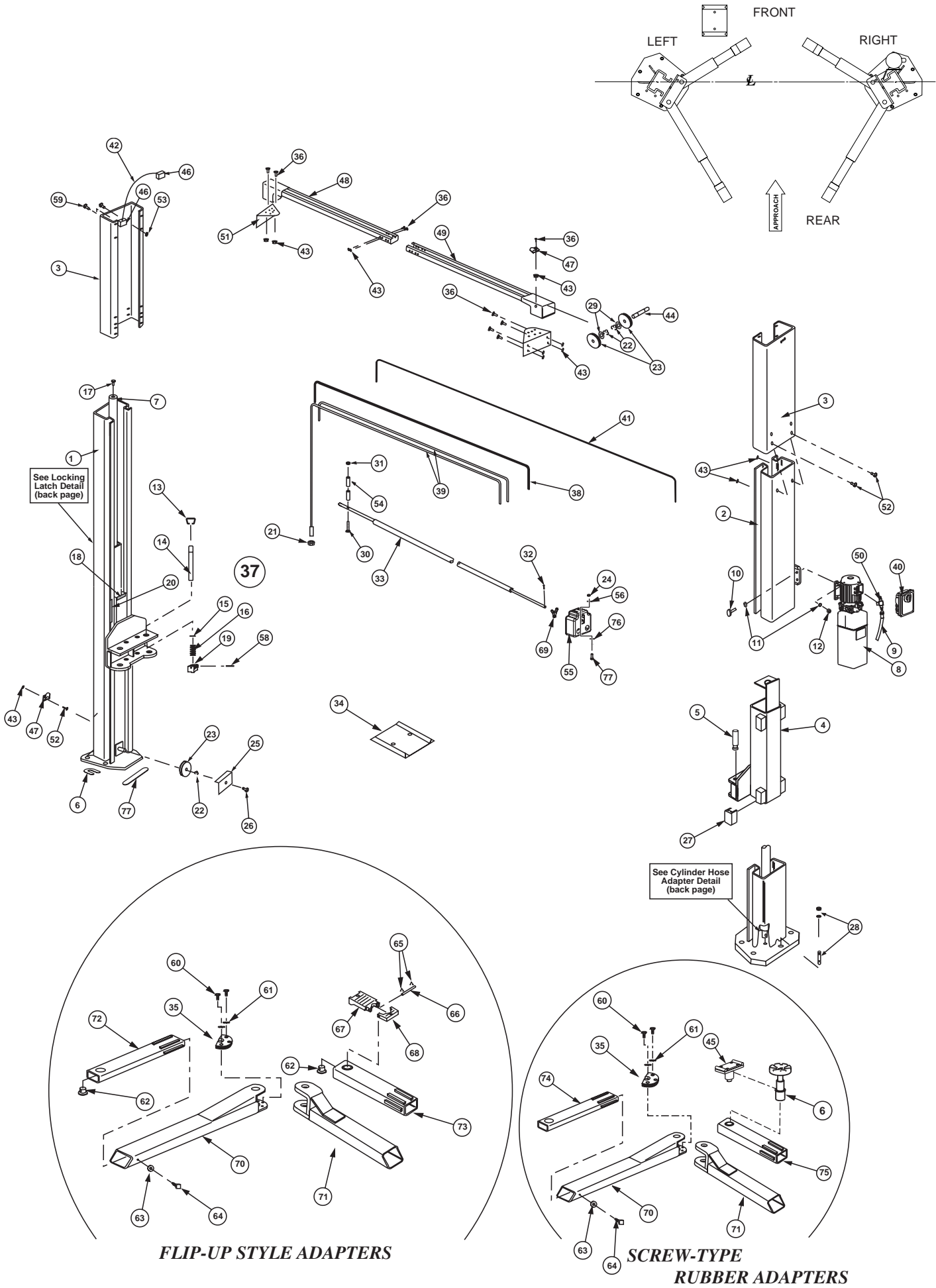
NOTE: For replacement parts -See your nearest Rotary Parts Distributor.

PB 2-2-40
CO5909.3 Rev. A 11/13/2003

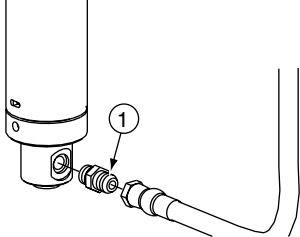
1. L.H. Column Weldment	N752	48. L.H. Overhead Assembly (Outer)	N480
2. R.H. Column Weldment	N755	49. R.H. Overhead Assembly (Inner)	N481
3. Column Extension		50. Branch Tee	FJ7668
Standard Height	N470	51. Column Mounting Bracket	N439
EH-1 MODEL	N471	52. 3/8"-16NC x 3/4" Carriage Bolts	N/A
EH-2 MODEL	N472	53. 1/4"-20NC Flanged Locknut	40641
EH-4 MODEL (SPO10 only)	N474	54. 3/4" Spacer	FJ7871
4. Carriage Yoke Weldment	N822	55. Cutoff Switch Assembly	
5. Arm Pin	N2154	1Ø	N413
6. Horse Shoe Shim	FJ716-6	3Ø	N432
7. Hydraulic Cylinder	FJ7664	Cutoff Switch	
8. Power Unit		1Ø	N413-1
1Ø 60Hz	P1350	3Ø	N432-1
3Ø	P1346	56. 1/4" External Tooth Lockwasher	40779
9. Power Unit Hose	FJ837	57. N/A	N/A
10. 5/16"-18NC x 1-1/2" Bolt (Full Thread)	40271	58. Spring Pin-1/4" dia. x 1-1/2" Lg. (Stainless)	14427
11. 5/16" External Tooth Lockwasher	40854	59. 1/4"-20NC x 1" HHCS Grade 5	40108
12. 5/16"-18NC Hex Nut	40670	60. 3/8"-16NC x 1-1/2" HHCS Grade 5	40200
13. Actuator Pin Handle	FJ7985-1	61. 3/8" Spring Washers	40818
14. Actuator Pin	N121-1	62. Adapter Swivel Pin	FJ79-6
15. Retaining Pin	N119-3	63. 3/8" Internal Tooth Washer	40843
16. Arm Restraint Spring	FJ7656-2	64. 3/8"-16NC x 5/8" Lg. HHCS Grade 8	40155
17. Bleeder Screw (Specify Manufacturer)	N/A	65. 3/32" Hog Ring for 1/2" Shaft (8 req'd)	FJ671-6
18. Carriage Bumper	FA941	66. Adapter Pin	FJ6179
19. Arm Restraint Pawl	N2121	67. High Step Adapter	FJ6177
20. Approach bumper	FJ7391-1	68. Low Step Adapter	FJ6178
21. 5/8"-11NC Nylon Insert Lock Nut	40743	69. Actuator Assembly (3Ø Only)	N432-5
22. Truarc #5304-75 Klipping for 3/4" Shaft	41411	70. Rear Outer Arm	
23. Sheave	N377	SPOA10NB	N2177-1
24. 1/4"-20NC Zinc Hex Nut	40627	SPOA10	N2173-1
25. Sheave Cover	N119-1	SPO10	N2174-1
26. 1/4"-20NC x 3/8" Lg. PHMS Plated (2 pcs.)	40063	71. Front Outer Arm	
27. Slider block	FJ7360	SPOA10NB	N2175-1
28. 3/4" Concrete Anchor	FJ7380	SPOA10	N2172-1
29. 1-1/2" O.D. x .760-.770" I.D. x .045" Bushing	41388	SPO10	N2174-1
30. 1Ø 1/4"-20NC x 2" HHCS	40109	72. Rear Inner Arm Assembly (with adapters)	
3Ø 1/4"-20NC x 2-3/4" HHCS	40114	SPOA10NB	N2174-2
31. 1/4"-20NC Insert Locknut	40642	SPOA10	N2173-2
32. 1/8" x 1" Lg. Cotter Pin (3Ø only)	41200	SPO10	N2174-2
33. Switch Bar Assembly		73. Front Inner Arm Assembly (with adapters)	
1Ø SPOA10NB	N415	SPOA10NB	N2175-2
1Ø SPOA10/SPO10	N467	SPOA10	N2172-2
3Ø	N434	SPO10	N2174-2
34. Wheel Spotting Dish Kit	FF729	74. Rear Inner Arm (R/A)	
35. Arm Restraint Gear	N2122	SPOA10NB	N2180-1
36. 3/8"-16 NC x 3/4" Long Flanged HHCS	40124	SPOA10	N2179-1
*37. Arm Restraint Kit (1 arm)	*N2148	SPO10	N2180-1
38. Overhead Hose		75. Front Inner Arm (R/A)	
Standard	FJ839	SPOA10NB	N2181-1
EH-1 MODEL	FJ842	SPOA10	N2178-1
EH-2 MODEL	FJ843	SPO10	N2180-1
EH-4 MODEL (SPO10 only)	FJ845	76. 1/4" Flat Washer	40795
39. Equalizer Cables		77. Front Shim	FJ7659-3
SPOA10NB	N384		
SPOA10NB EH-1 MODEL	N385		
SPOA10NB EH-2 MODEL	N386		
SPOA10	N372		
SPOA10 EH-1 MODEL	N378		
SPOA10 EH-2 MODEL	N373		
SPO10	N374		
SPO10 EH-1 MODEL	N379		
SPO10 EH-2 MODEL	N375		
SPO10 EH-4 MODEL	N376		
40. Capacitor Box	FA7147-1		
Capacitor Box Cover Plate	FA7203-1		
Drum Switch	FA7205		
Drum Switch Handle	FA7205-1		
M5 x 10 PHMS, Plated	40275		
41. Locking Latch Cable	FJ7595-1		
EH-4 (SPO10 only)	FJ7600		
42. Cable Guide	N618		
43. 3/8"-16NC Flanged Locknut	40664		
44. Sheave Shaft	FJ7444-8		
45. Adapter Assembly	FJ6182		
Rubber Pad	FJ6158-4		
46. Cable End Bracket	N619		
47. Hose Clip	N383		

NOTE: Standard hardware items should be purchased from local hardware source when possible.

CAUTION Care should be taken to use hardware equal to that specified in this listing. (If grade is not specified, use Grade 2 minimum.)



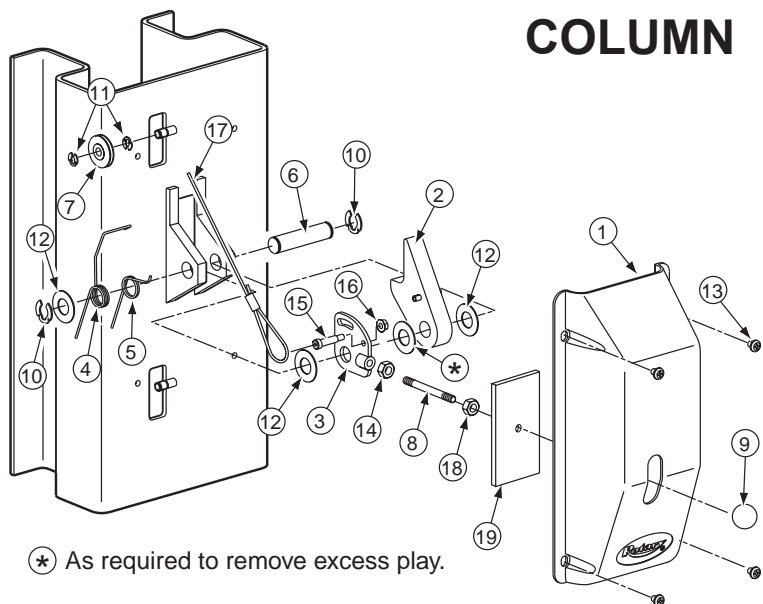
*Includes items 13, 14, 15, 16, 19, 35, 58, 60, 61



CYLINDER HOSE ADAPTER DETAIL

ITEM	DESCRIPTION	PART
1	Straight Adapter	FJ7352-3

RIGHT COLUMN

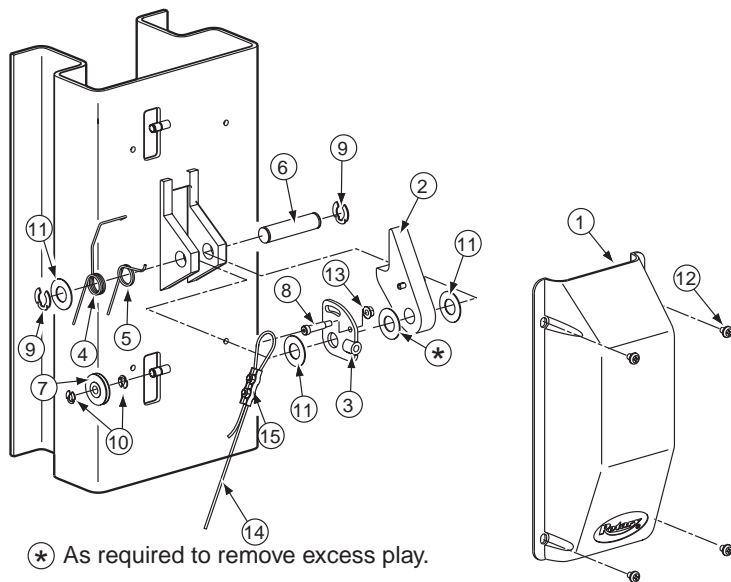


LOCKING LATCH DETAIL PARTS LIST

ITEM	DESCRIPTION	PART
1	Control Side Cover	FJ7452
2	Locking Latch Dog	N616
3	Control Plate	FJ7594-2
4	Spring	FJ7566-10
5	Spring	FJ7382-9
6	Latch Shaft	FJ7382-34
7	Locking Latch Sheave	FJ7322
8	Handle	FJ7382-18
9	Ball Handle	FC134-91
10	Truarc Klipring #5304-75 for 3/4" Shaft	41411
11	Truarc Klipring #5304-37 for 3/8" Shaft	41410
12	1-1/2" O.D. x 3/4" I.D. x .045" Mach. Bush.	41388
13	5/16"-18NC x 3/8" Lg. PHMS	40227
14	3/8" - 16NC Hex Jam Nut	40658
15	Shoulder Bolt, 5/16"-20 NC x 1-1/4"	40220
16	Flanged Locknut, 1/4" - 20NC	41423
17	Locking Latch Cable	FJ7595-1
	EH-4 for SPO10	FJ7600
18	1/2"-13NC Jam Nut (Spacer)	40700
19	Slot Cover	N617

* As required to remove excess play.

LEFT COLUMN



LOCKING LATCH DETAIL PARTS LIST

ITEM	DESCRIPTION	PART
1	Latch Cover	FJ7451
2	Locking Latch Dog	N616
3	Control Plate	FJ7594-2
4	Spring	FJ7566-10
5	Spring	FJ7382-9
6	Latch Shaft	FJ7382-34
7	Locking Latch Sheave	FJ7322
8	Shoulder Bolt 5/16"-20NC x 1-1/4"	40220
9	Truarc Klipring #5304-75 for 3/4" Shaft	41411
10	Truarc Klipring #5304-37 for 3/8" Shaft	41410
11	1-1/2" O.D. x 3/4" I.D. x .045" Mach. Bush.	41388
12	5/16"-18NC x 3/8" Lg. PHMS	40227
13	Flanged Locknut, 1/4" - 20NC	41423
14	Locking Latch Cable	FJ7595-1
	EH-4 for SPO10	FJ7600
15	Latch Cable Clamp	N63-1

* As required to remove excess play.

Rotary World Headquarters

2700 Lanier Drive
Madison, IN 47250, USA
www.rotarylift.com

North America Contact Information

Tech. Support: p 800.445.5438
f 800.578.5438
e userlink@rotarylift.com
Sales: p 800.640.5438
f 800.578.5438
e userlink@rotarylift.com

World Wide Contact Information

World Headquarters/USA: 1.812.273.1622
Canada: 1.905.812.9920
European Headquarters/Germany: +49.771.9233.0
United Kingdom: +44.178.747.7711
Australasia: +60.3.7660.0285
Latin America / Caribbean: +54.3488.431.608
Middle East / Africa: 1.812.273.1622



A DOVER COMPANY

