



# ARO22

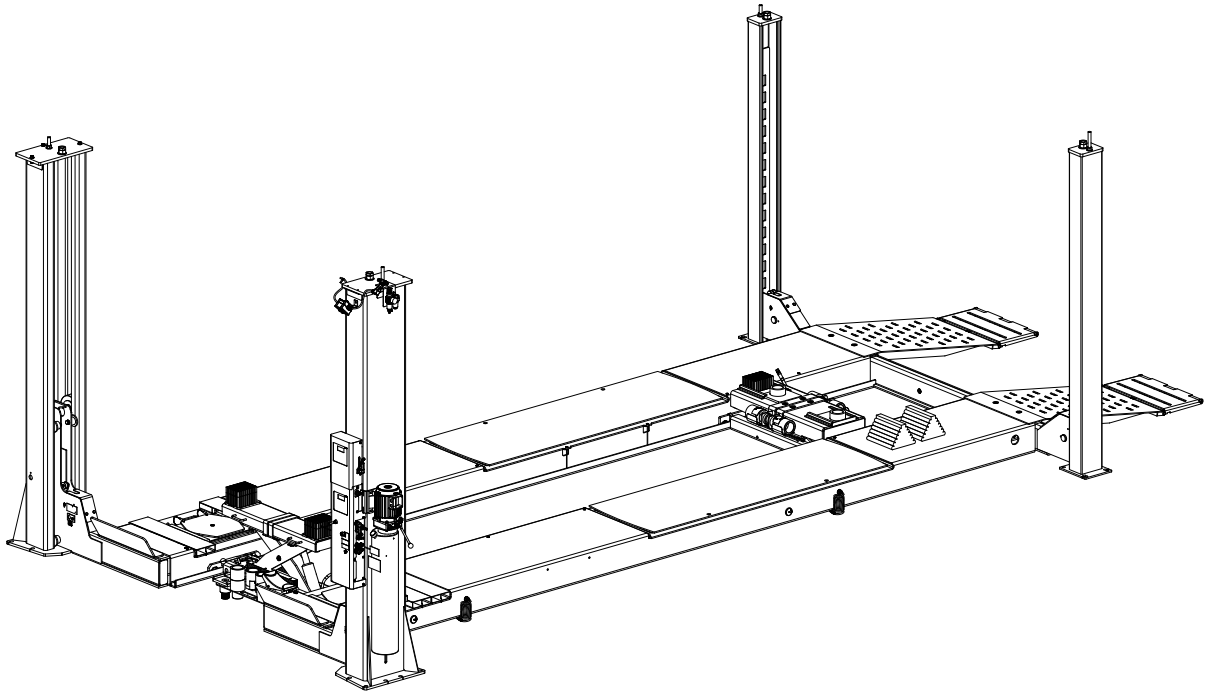
(000 Series) Four Post Surface Mounted Lift

Capacity 22,000 lbs. (9,979 kg.)

9,000 lbs. (4,082 kg.) Front Bridge

15,000 lbs. (6,804 kg.) Rear Bridge

135" (342.9 cm) Wheelbase Length



P  
A  
R  
T  
S  
  
B  
R  
E  
A  
K  
D  
O  
W  
N

**IMPORTANT:** When ordering parts or requesting service always give exact model and power unit serial number. Model number is shown on nameplate attached to air lock release valve. Power unit serial number is located on side of power unit.

**OWNERS RECORD**  
Complete information  
at right and keep in  
a safe place.

Date Installed \_\_\_\_\_

Installed in Bay # \_\_\_\_\_

Power Unit Serial # \_\_\_\_\_

Power Unit Model # \_\_\_\_\_

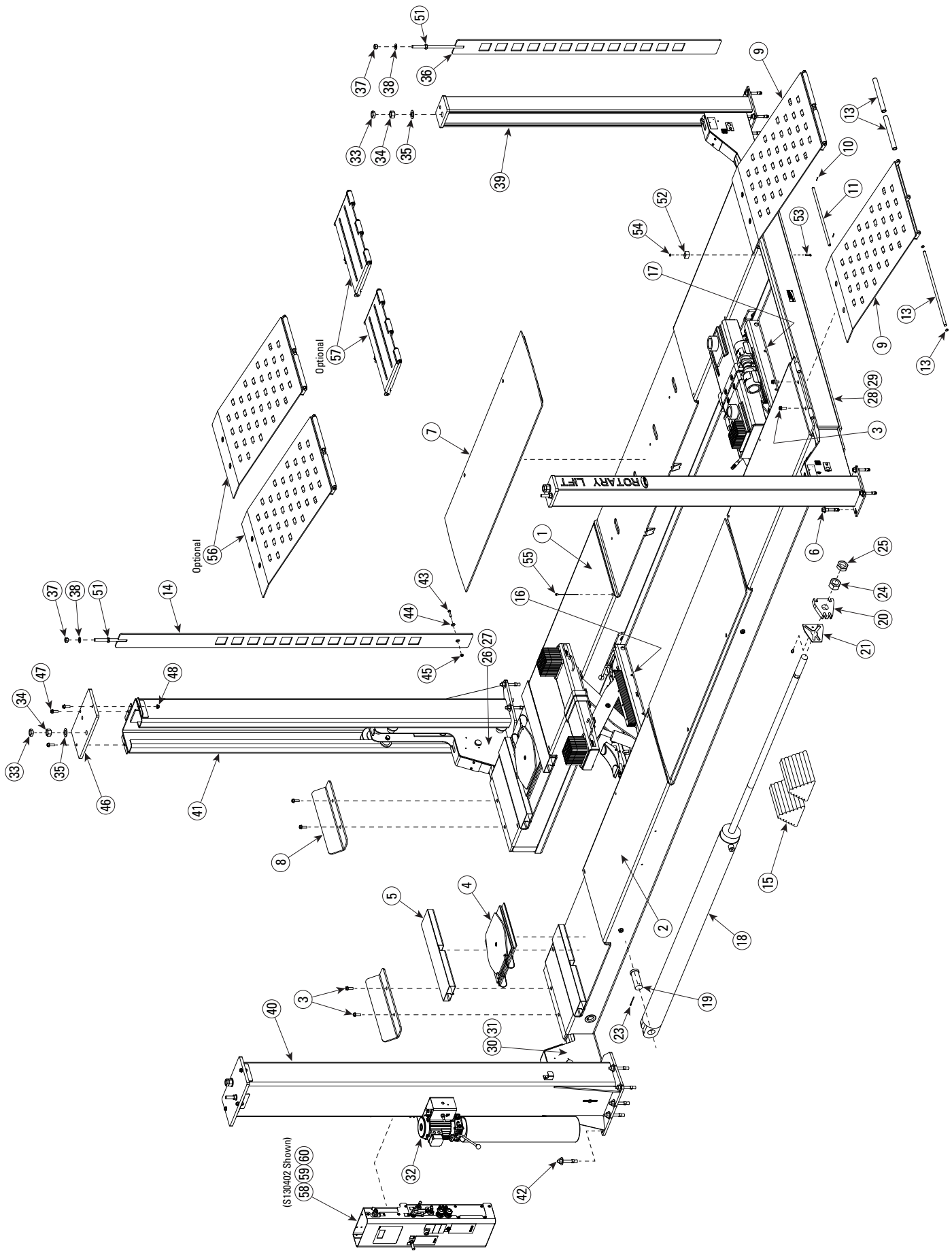
Lift Serial # \_\_\_\_\_

Lift Model # \_\_\_\_\_

NOTE: For replacement parts -See your nearest Rotary Parts Distributor.

**PB2-3-3-21**



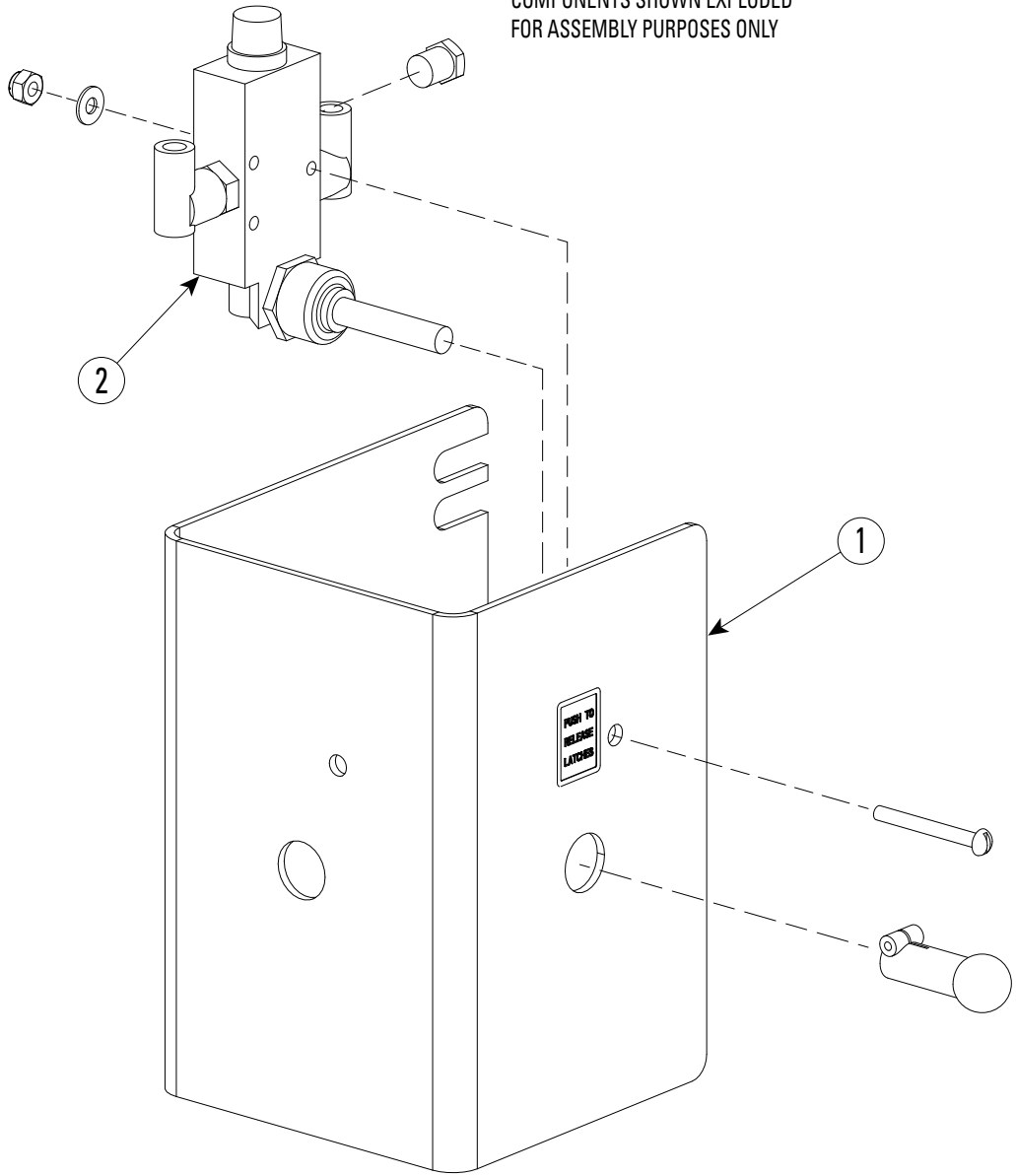


ARO22 PARTS LIST			
ITEM NO.	DESCRIPTION	PART NO.	Class
1	R.H. Runway Assembly ARO22L	S110656	
	R.H. Runway Assembly ARO22EL	S110608	
2	L.H. Runway Assembly ARO22L (Includes cylinder, cables and sheaves)	S110655	
	L.H. Runway Assembly ARO22EL (Includes cylinder, cables and sheaves)	S110607	
3	1/2"-13 Flg. Whiz-Lock HHCS (High Strength)	40297	
4	Stainless Radius Gauge Assembly	S110653	
5	Turntable Spacer Assembly	S110627	
6	5/8" x4-3/4" Anchor Bolt	FC5228	
7	Rear Slip Plate *See Rear Slip Plate Parts Kit (S100200) Later In Booklet	S110628	
8	Wheel Stop	S121603	
9	Ramp Chock Assembly (Standard)	S110642	
10	1/8" x 1" Cotter Pin	41200	
11	Hinge Pin	FC5179-5	
12	NA	NA	
13	Ramp Roller & Roller Pin Kit	S100199	
14	Front Latch Bar	S110619	
15	Triangular Wheel Chock	FC337	
16	Front Rolling Jack	RJ9100Y	
17	Rear Rolling Jack	RJ15	
18	Hydraulic Cylinder	S130407	
19	Clevis Pin	FC5225-23	
20	Cable Pull Bar	S121706	
21	Cable Pull Bar Retainer	S121707	
22	NA	NA	
23	3/16" x 3" Lg. Cotter Pin	41253	
24	1 3/4"-8NC Hex Nut	40777	
25	1 3/4"-8NC Hex Jam Nut	40778	
26	Right Front Yoke Weldment	S110626	
27	Right Front Yoke Assembly (Including Latches)	S110624	
28	Rear Yoke Weldment	S110622	
29	Rear Yoke Ass'y (Including Latches)	S110621	
30	Left Front Yoke Weldment	S110625	
31	Left Front Yoke Assembly (Including Latches)	S110623	
32	3Ø Power Unit	P3703	
33	1-1/8"-7NC Hex Jam Nut	40770	
34	1-1/8"-7NC Hex Nut	40607	
35	1-1/8" SAE Flat Washer	914806	
36	Rear Latch Bar	S110620	
37	3/4"-10NC Hex Nut	40760	
38	3/4" SAE Flat Washer	41021	
39	Rear Column	S110618	
40	Power Unit Column	S110616	
41	Front Column	S110617	
42	3/4" x 5-1/2" Anchor Bolt	FJ7380	
43	3/8"-16NC x 1 3/4" Lg. HHCS	40202	
44	3/8" Flat Washer Plated	B41-6	
45	3/8"-16NC Flanged WZLock Nut	40664	
46	Front Column Plate	S121576	
47	1/2"-13NC x 1-1/2" Lg. Flanged WZLock HHCS	40304	
48	1/2"-13NC Flanged WZLock Nut	40704	

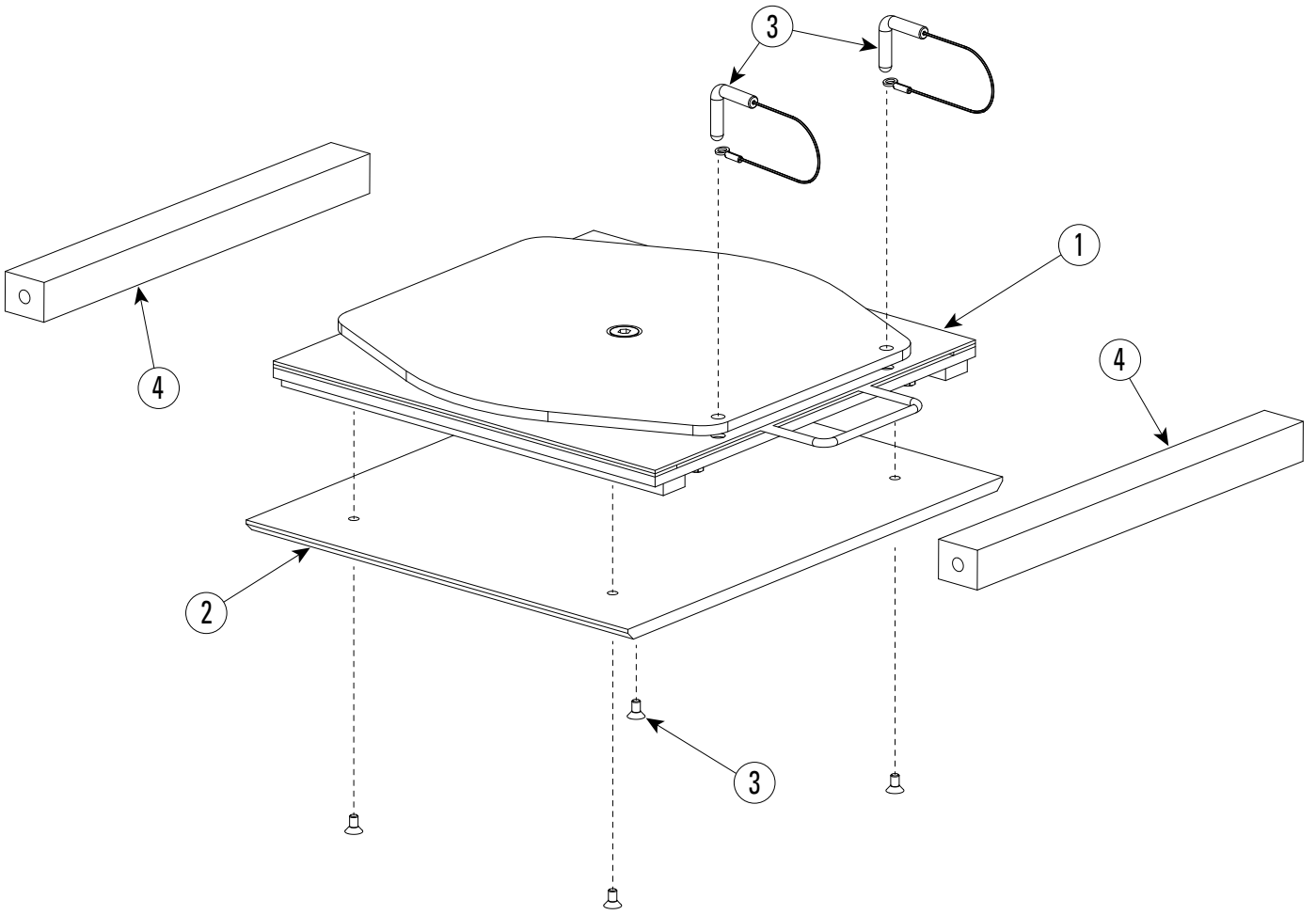
49	NA	NA	
50	NA	NA	
51	3/4"-10NC Hex Jam Nut	40759	
52	Rubber Stop	FC7112	
53	1/4"-20NC x 1-1/4" Lg. HHCS	40115	
54	1/4"-20NC Flanged WZLock Nut	40641	
55	LED Light Kit L Length Lifts	S130440	
	LED Light Kit EL Length Lifts	S130439	
	LED Replacement Light Kit (Available 2 Lights Per Kit)	S100196	
56	Drive Through Ramp Kit (Optional)	S100192	
57	Articulating Ramp Kit (Optional)	S100193	
58	Smartfill / Light Controller Asm (Std.)	S130455	
	Smartfill / Light Controller Asm (Optional. Shown on pg. 2)	S130402	
59	Single Smartfill Add On Kit (Optional) Later In Booklet	S100194	
60	Dual Smartfill Add On Kit (Optional) Later In Booklet	S100195	

ITEM	QTY	PART NO.	DESCRIPTION
1	1	S121642	AIR VALVE BRACKET
2	1	T100045	AIR VALVE REPLACEMENT KIT

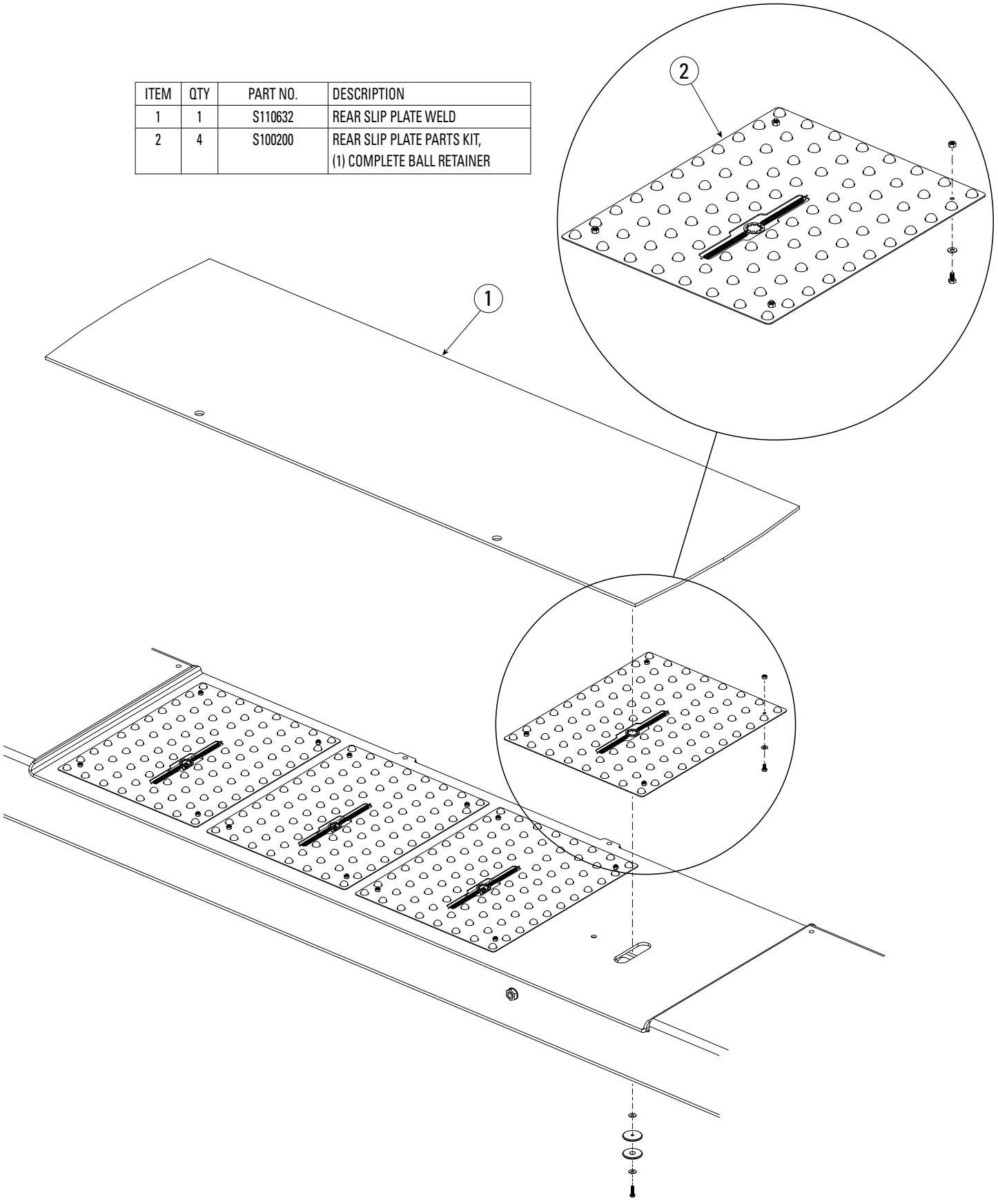
COMPONENTS SHOWN EXPLODED  
FOR ASSEMBLY PURPOSES ONLY

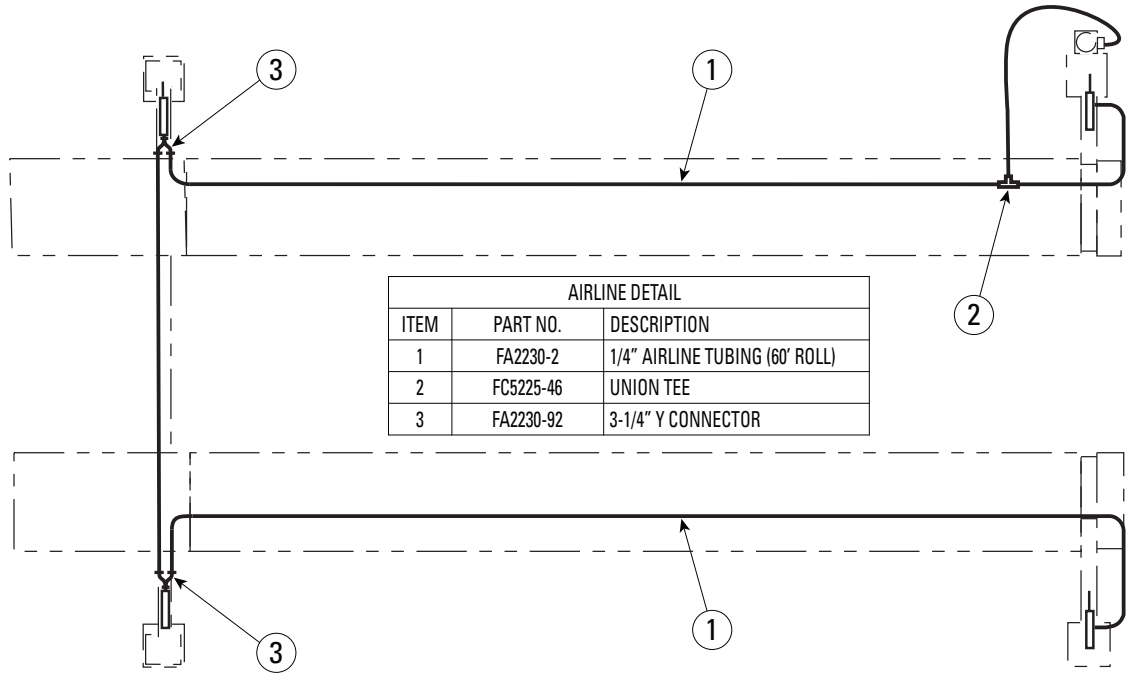


ITEM	QTY	PART NO.	DESCRIPTION
1	1	S110653	RADIUS GAUGE
2	1	S121604	TURN TABLE GAUGE SPACER
3	1	S100198	PIN AND BOLT KIT
4	2	S121605	BRIDGE SPACER



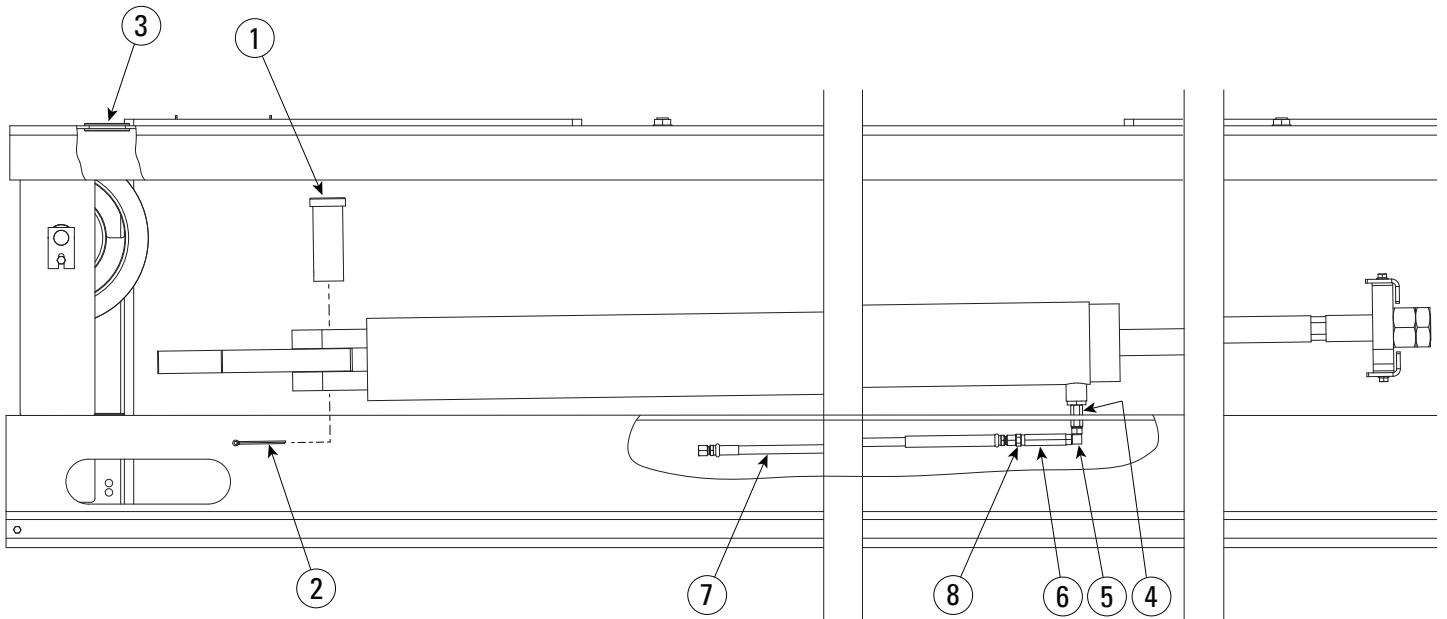
ITEM	QTY	PART NO.	DESCRIPTION
1	1	S110632	REAR SLIP PLATE WELD
2	4	S100200	REAR SLIP PLATE PARTS KIT, (1) COMPLETE BALL RETAINER

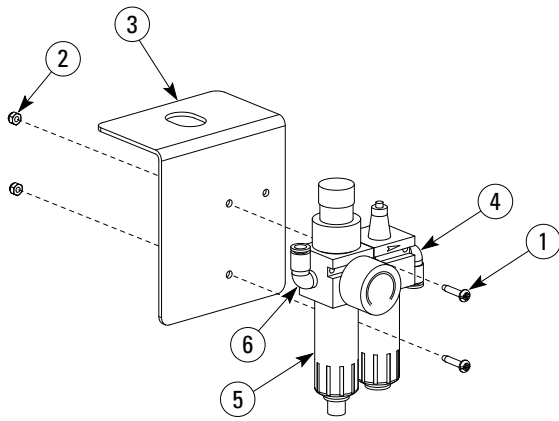




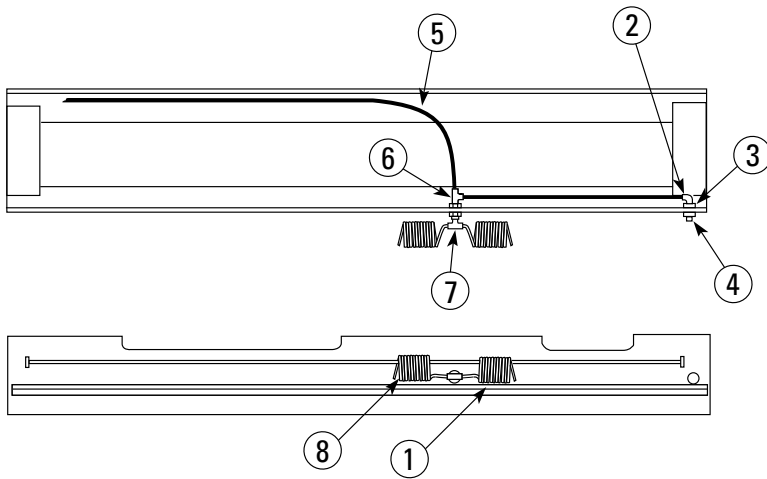
**HYDRAULIC HOSE DETAIL**

ITEM	QTY	PART NO.	DESCRIPTION
1	1	FC5225-23	ZINC PLATED CLEVIS PIN
2	1	41253	3/16" x 3" Lg. COTTER PIN
3	1	S130421	RUNWAY RUBBER GROMMET
4	1	N3128	STRAIGHT O-RING REDUCER
5	1	Z140035	SAE #6 ELBOW FITTING
6	1	S130334	FLOW REGULATOR
7	1	992221	HYDRAULIC HOSE
8	1	FJ7352-3	STRAIGHT ADAPTER 9/16-16 JIC x 9/16-18 O-RING



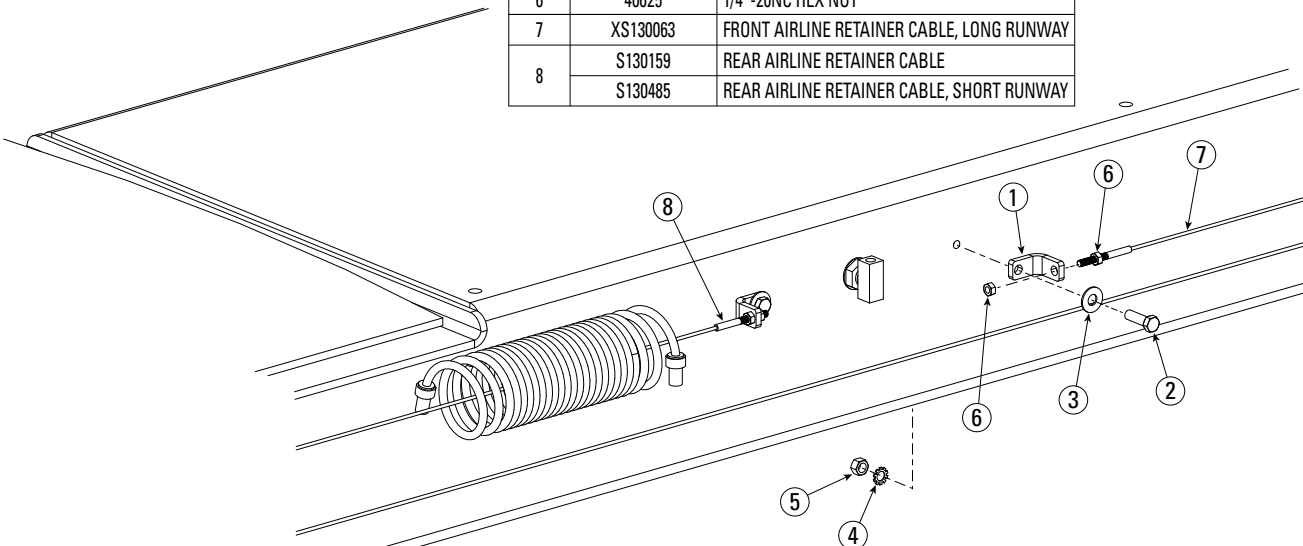


FRL DETAIL		
ITEM NO.	DESCRIPTION	PART NO.
1	M4-20 Phil PHMS	41682
2	M4 Nylon Lock Nut	41558
3	Adapter Bracket	S120674
4	Elbow	FC147-7
5	Filter/Regulator/Lubricator	S130080
6	Elbow	FC147-7



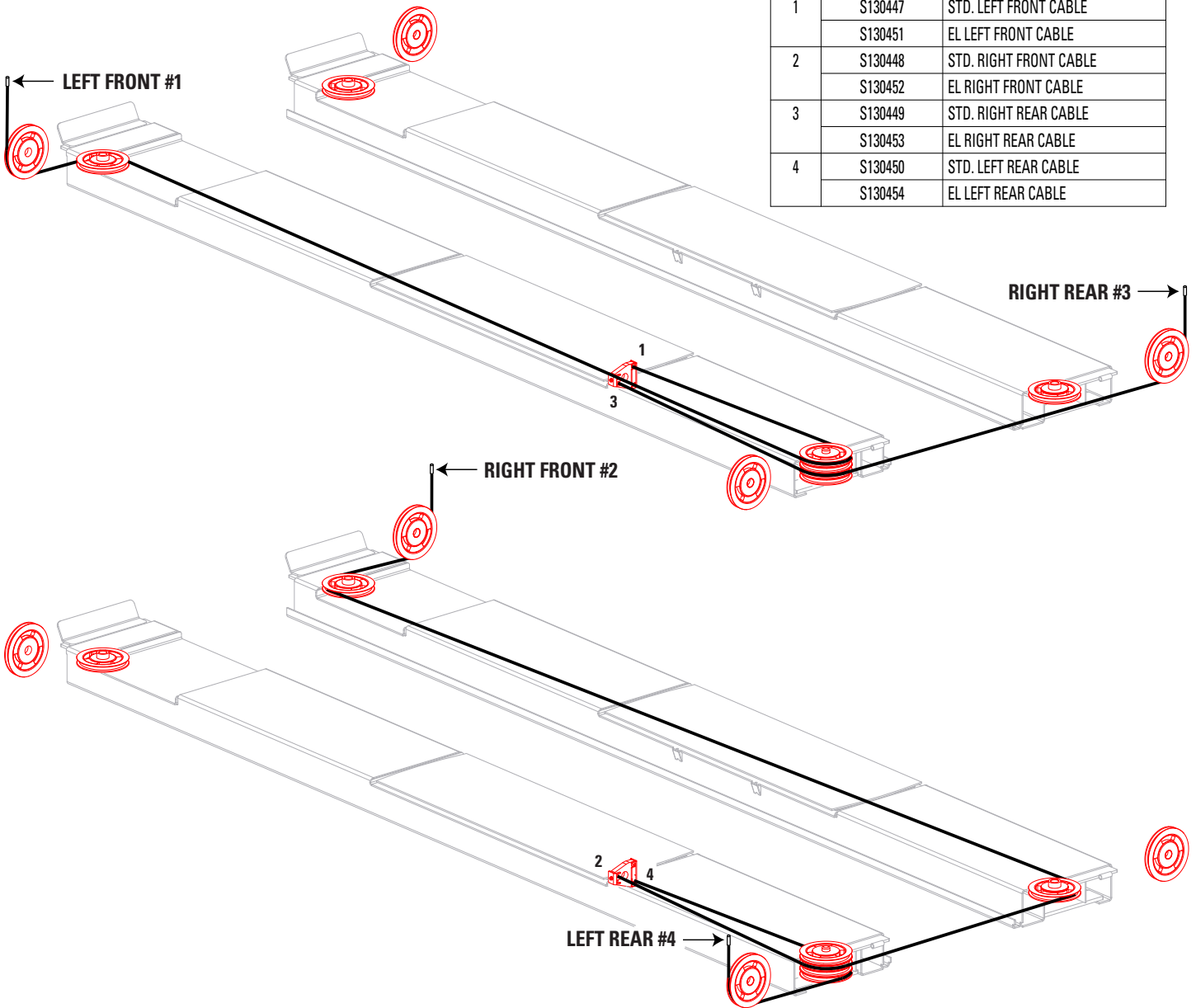
INTERNAL AIRLINE PARTS		
ITEM NO.	DESCRIPTION	PART NO.
		L, EL MODEL
1	Front Recoil Hose	FC147-14
2	Male Elbow	FC147-7
3	Female Bulkhead	FC147-1
4	1/4" Hex Plug	40639
5	Tubing	FA2230-15
6	Male Run Tee	FC147-3
7	Male Branch Tee	FC147-5
8	Rear Recoil Hose	S130160

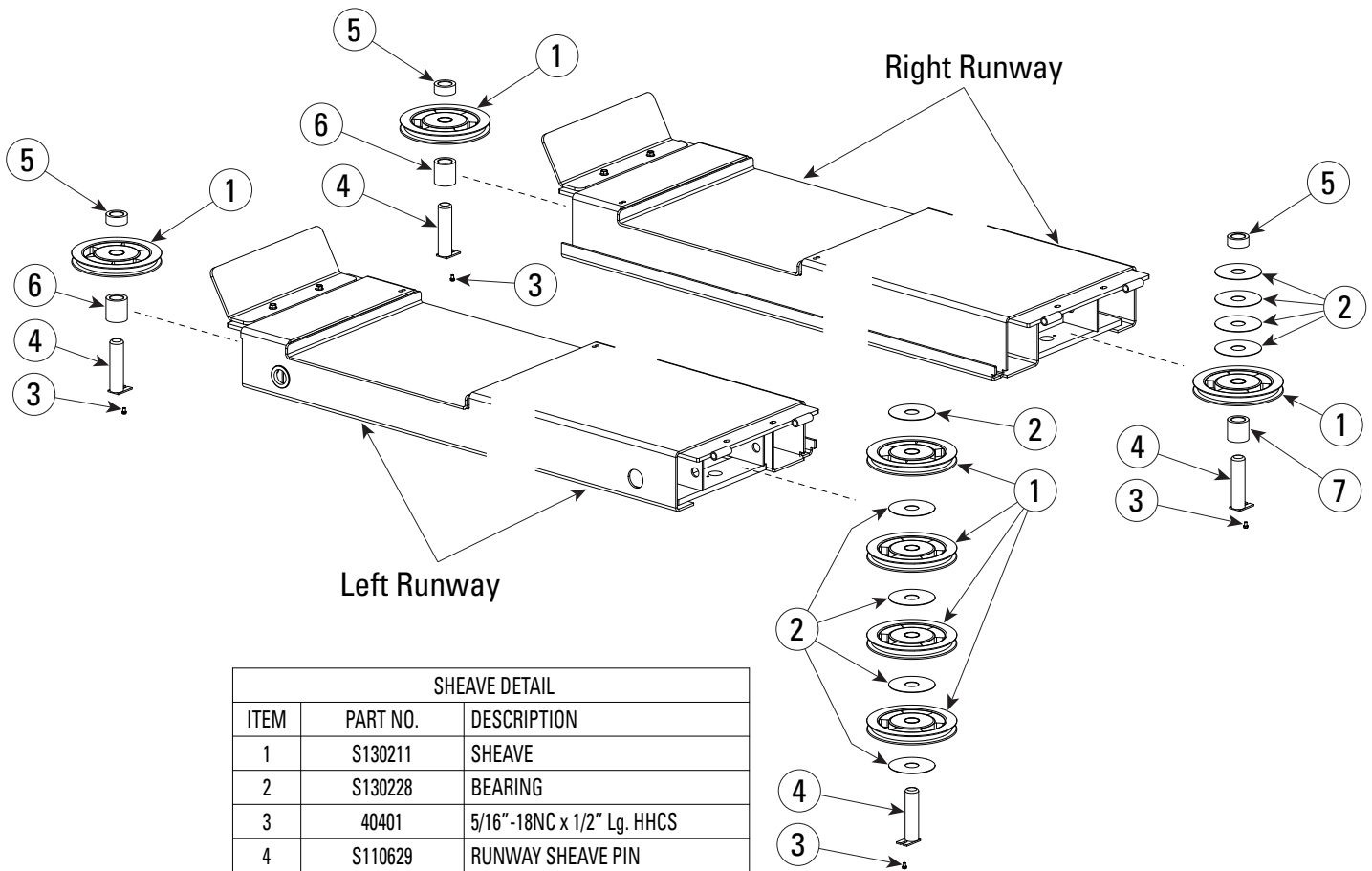
RETAINER CABLE DETAIL		
ITEM	PART NO.	DESCRIPTION
1	FC147-9	RETAINER BRACKET
2	40191	3/8"-16NC x 1-1/4" Lg. HHCS
3	40820	3/8" USS FLAT WASHER
4	40845	3/8" EXT TOOTH LW
5	40660	3/8"-16NC HEX NUT
6	40625	1/4"-20NC HEX NUT
7	XS130063	FRONT AIRLINE RETAINER CABLE, LONG RUNWAY
8	S130159	REAR AIRLINE RETAINER CABLE
	S130485	REAR AIRLINE RETAINER CABLE, SHORT RUNWAY





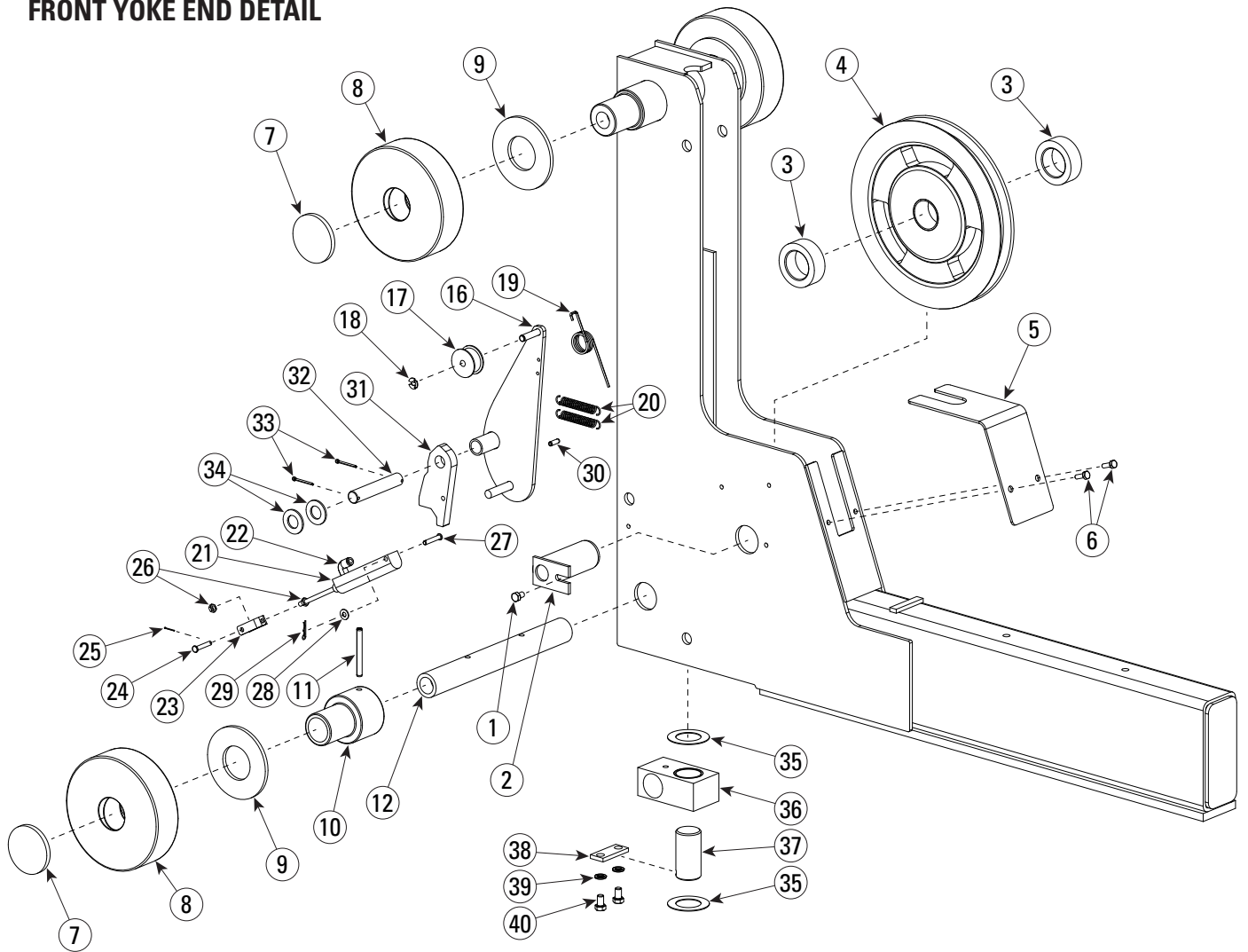
CABLES		
ITEM	PART NO.	DESCRIPTION
1	S130447	STD. LEFT FRONT CABLE
	S130451	EL LEFT FRONT CABLE
2	S130448	STD. RIGHT FRONT CABLE
	S130452	EL RIGHT FRONT CABLE
3	S130449	STD. RIGHT REAR CABLE
	S130453	EL RIGHT REAR CABLE
4	S130450	STD. LEFT REAR CABLE
	S130454	EL LEFT REAR CABLE





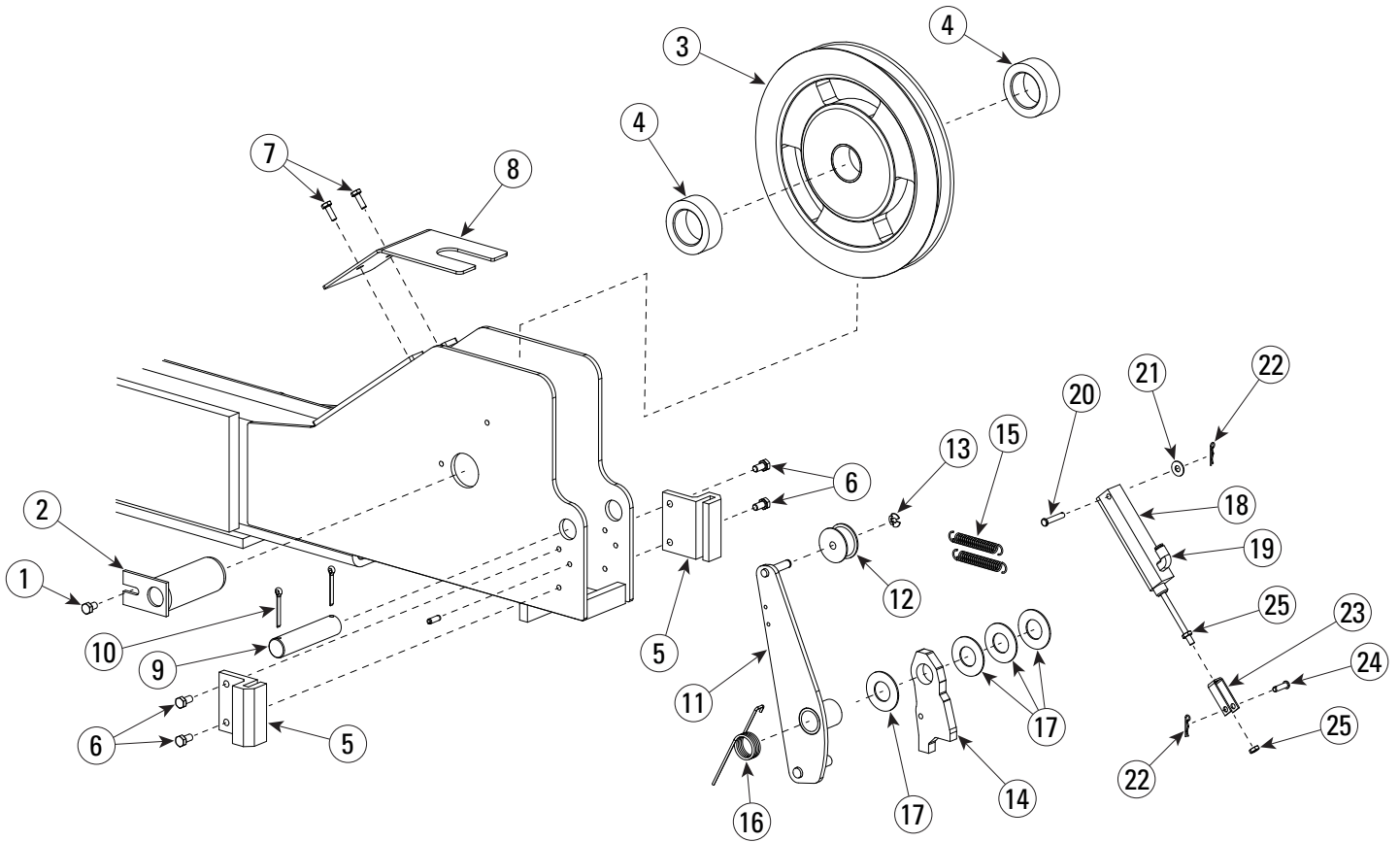
SHEAVE DETAIL		
ITEM	PART NO.	DESCRIPTION
1	S130211	SHEAVE
2	S130228	BEARING
3	40401	5/16" -18NC x 1/2" Lg. HHCS
4	S110629	RUNWAY SHEAVE PIN
5	S130383	SHEAVE SPACER
6	S130422	SHEAVE SPACER
7	S130457	SHEAVE SPACER

# FRONT YOKE END DETAIL



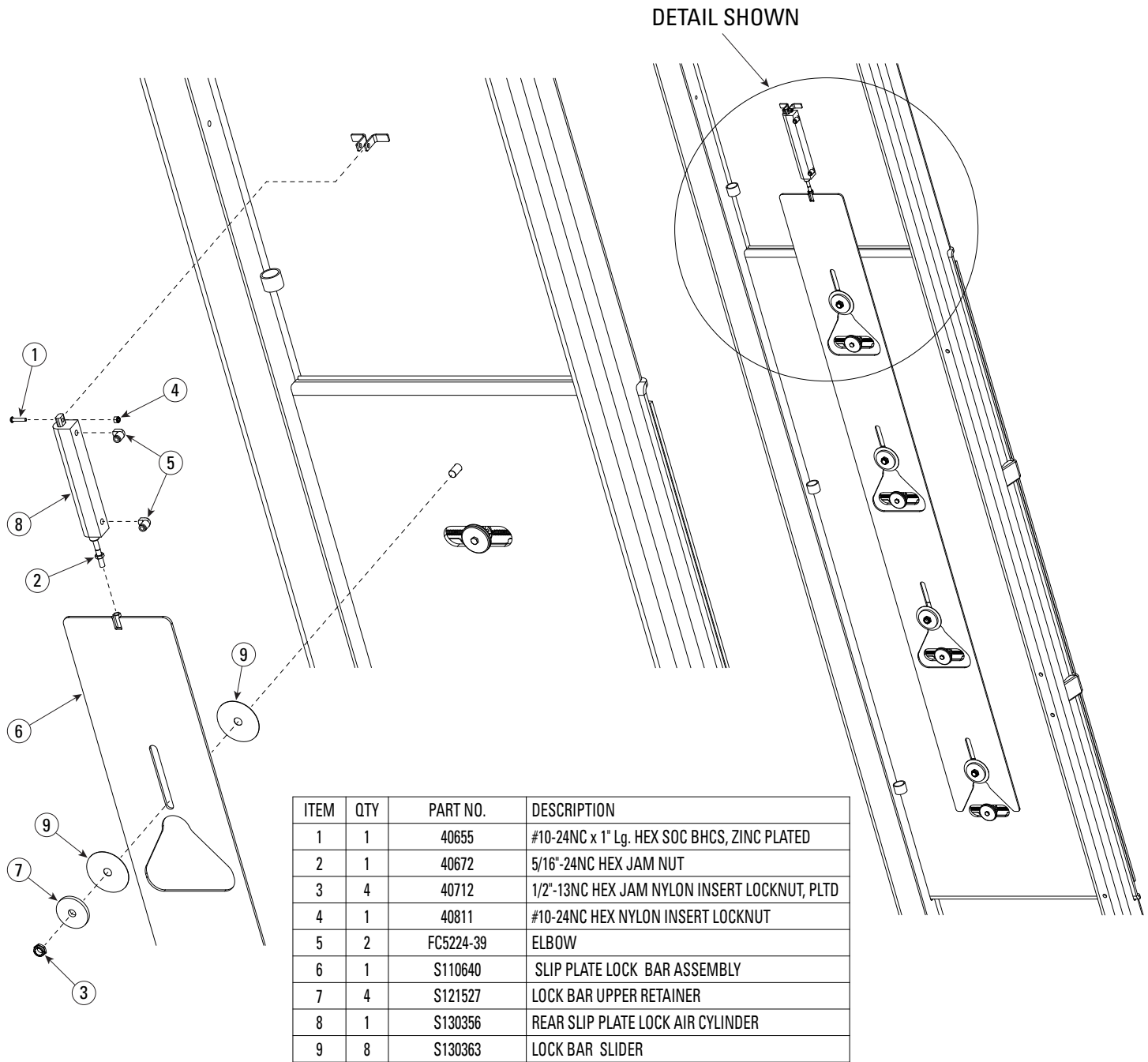
FRONT YOKE END DETAIL			FRONT YOKE END DETAIL		
ITEM	DESCRIPTION	PART NO.	ITEM	DESCRIPTION	PART NO.
1	5/16"-18NC x 1/2" Lg. HHCS	40401	21	Air Cylinder	S130061
2	Sheave Pin Asm	S120828	22	Elbow Fitting	FC5224-39
3	Sheave Spacer	S130390	23	Clevis	FC5993Y
4	Sheave	S130211	24	1/4" x 1-3/8" Clevis Pin	S130287Y
5	Front Yoke Cover	S121581	25	1/16" x 3/4" Lg. Cotter Pin	41606
6	1/4"-14NC x 3/4" Lg. HW-TEKS-3	40055	26	1/4"-28NF Hex Jam Nut	40622
7	Carriage Slider	M130006	27	1/4" x 1-3/8" Clevis Pin	S130051
8	Roller	M130002	28	1/4" Flat Washer	40780
9	2" Flat Washer	41110	29	1/4" Hairpin Cotter Pin	41901
10	Yoke Lower Roller Sleeve	S121575	30	1/4" x 3/4" Lg. Roll Pin	14414
11	5/16" x 3-1/4" Lg. Spiral Roll Pin	41255	31	Locking Latch	S121572
12	Front Yoke Lower Roller Pin	S121573	32	Latch Shaft	S130420
13	Na	Na	33	3/16" x 1-1/2" Lg. Cotter Pin	41248
14	Na	Na	34	Machine Bushing	FF40-4
15	Na	Na	35	Plastic Spacer (on Block)	S130311Y
16	Front Yoke Kicker Asm	S110646	36	Roller Pin Block Asm	S110518Y
17	Slack Cable Roller	FC5224-65	37	Block Pin	S121258Y
18	3/8" Shaft Retaining Ring	41410	38	Block Pin Retainer	H4P-1020
19	Left Hand Torsion Spring	S120562	39	3/8" Helical Spring LW	40800
20	Spring	FC522-25	40	3/8"-16NC x 5/8" Lg. HHCS	40148

## REAR YOKE END DETAIL



REAR YOKE END DETAIL			REAR YOKE END DETAIL		
ITEM	DESCRIPTION	PART NO.	ITEM	DESCRIPTION	PART NO.
1	5/16"-18NC x 1/2" HHCS	40401	14	Rear Yoke Locking Latch	S121572
2	Sheave Pin	S120828	15	Extension Spring	FC522-25
3	Sheave	S130211	16	Left Hand Torsion Spring	S120562
4	Sheave Spacer	S130390	17	Machine Bushing	FF40-4
5	Slider	FC5812-10	18	Air Cylinder	S110652
6	5/16"-18NC x 5/8" WLCS	40273	19	Elbow	FC5224-39
7	1/4"-14NC x 3/4" Lg. HW-TEKS-3	40055	20	1/4" x 1-3/8" Clevis Pin	S130051
8	Rear Yoke Cover	S121582	21	1/4" Flat Washer	40782
9	Latch Shaft	S130420	22	1/4" Hairpin Cotter Pin	41901
10	3/16" x 1-1/2" Lg. Cotter Pin	41248	23	Clevis	FC5706-7
11	Rear Kicker Asm	S110644	24	1/4" x 7/8" Clevis Pin	FA2230-12
12	Slack Cable Roller	FC5224-65	25	1/4"-28NF Hex Jam Nut	40622
13	3/8" Shaft Retaining Ring	41410			

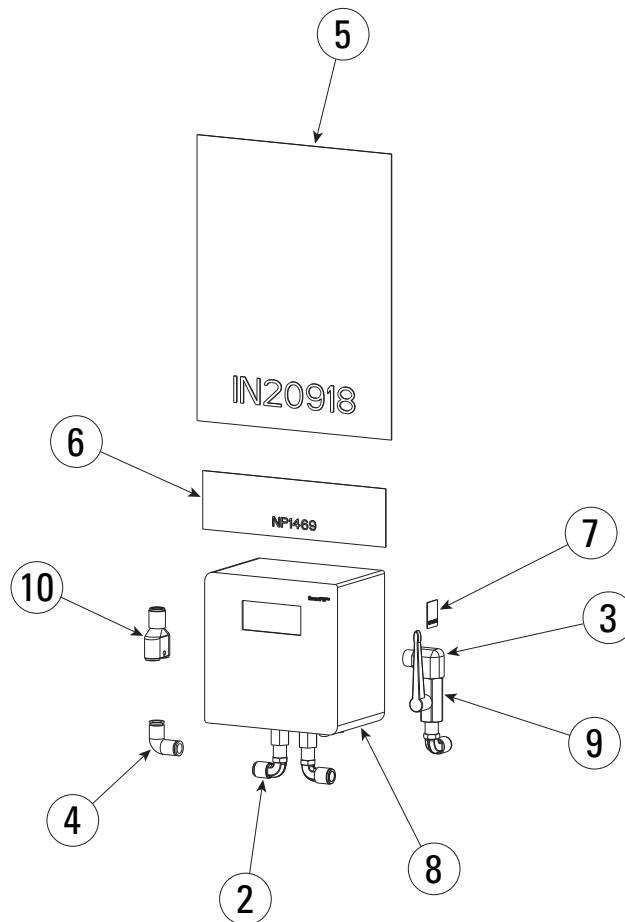
# REAR STEER LOCK



ITEM	QTY	PART NO.	DESCRIPTION
1	1	40655	#10-24NC x 1" Lg. HEX SOC BHCS, ZINC PLATED
2	1	40672	5/16"-24NC HEX JAM NUT
3	4	40712	1/2"-13NC HEX JAM NYLON INSERT LOCKNUT, PLTD
4	1	40811	#10-24NC HEX NYLON INSERT LOCKNUT
5	2	FC5224-39	ELBOW
6	1	S110640	SLIP PLATE LOCK BAR ASSEMBLY
7	4	S121527	LOCK BAR UPPER RETAINER
8	1	S130356	REAR SLIP PLATE LOCK AIR CYLINDER
9	8	S130363	LOCK BAR SLIDER

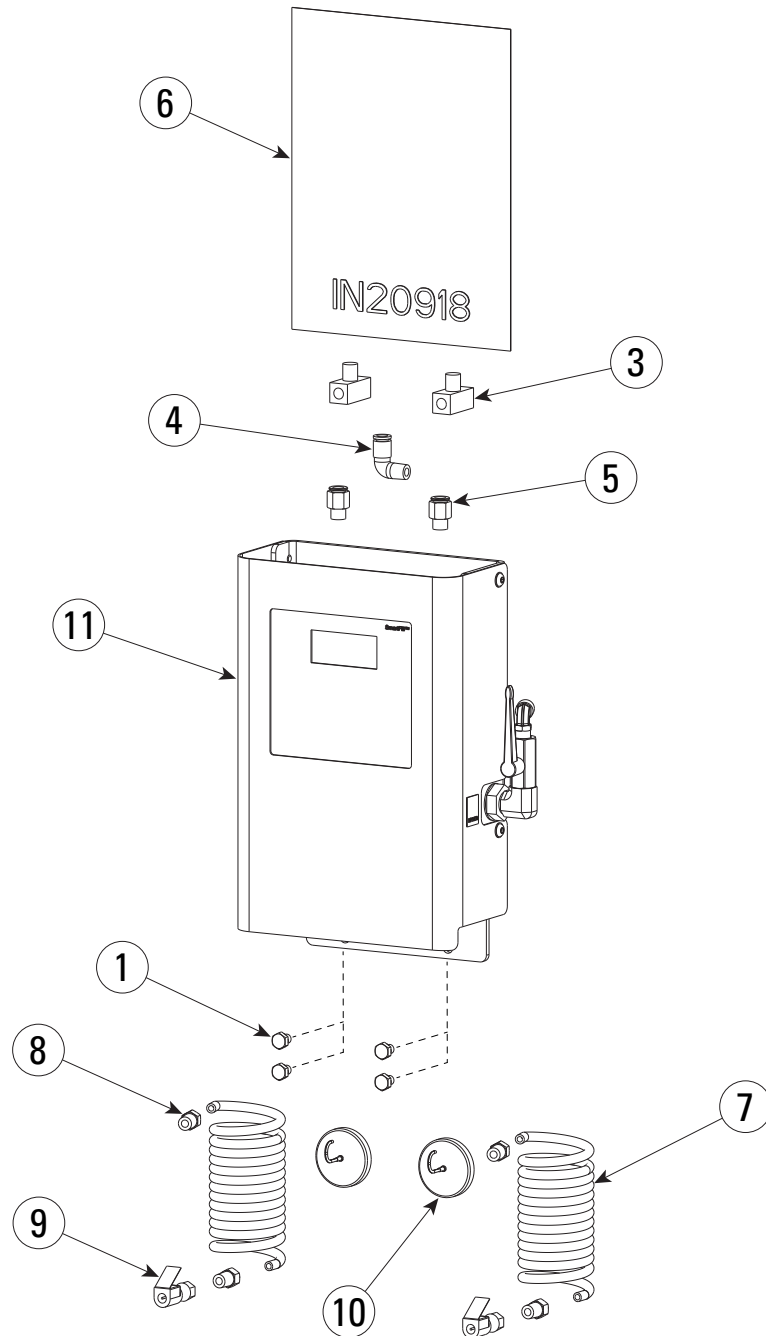
# SINGLE SMARTFILL ADD ON KIT (S100194)

ITEM	QTY	PART NO.	DESCRIPTION
1	1	FA2230-15	3/8" PARAFLEX HOSE-40' Lg. (NOT SHOWN)
2	3	FA3207	ELBOW
3	1	FA5935-1	MALE ELBOW
4	1	FC5305-3	3/8" TUBE ELBOW, 90°
5	1	IN20918	SINGLE SMARTFILL AIR KIT INSTALLATION INSTRUCTION
6	1	NP1469	SMARTFILL OPERATING INSTRUCTIONS NAMEPLATE
7	1	NP1475	TIRE FILL VALVE NAMEPLATE
8	1	S130392	SMARTFILL TIRE INFLATE/DEFLATE CONTROLLER
9	1	S130393	BALL VALVE, 1/4" NPT
10	1	S130438	3/8" TUBE Y FITTING
11	1	S90044	SMARTFILL PARTS BOX SINGLE AIR (NOT SHOWN)

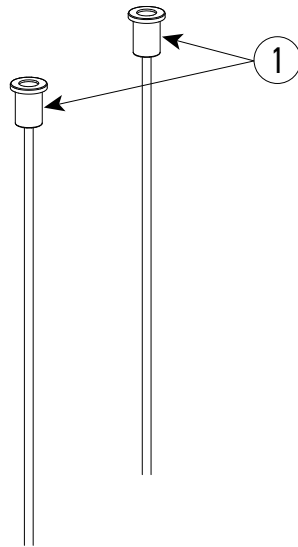


## DUAL SMARTFILL ADD ON KIT (S100195)

ITEM	QTY	PART NO.	DESCRIPTION
1	4	40294	5/16"-18NC x 1/2" Lg. WHIZLOCK CAPSCREW
2	2	FA2230-15	3/8" PARAFLEX HOSE-40' Lg. (NOT SHOWN)
3	2	FC147-5	MALE BRANCH TEE
4	1	FC147-7	MALE ELBOW
5	2	FC147-8	MALE CONNECTOR
6	1	IN20919	SMARTFILL DUAL AIR ADD ON KIT INSTALLATION INSTRUCTION
7	2	S130367	RECOIL HOSE, 1/4" 15' LENGTH
8	4	S130368	8mm TUBE TO 1/4" NPT PUSH CONNECTOR
9	2	S130373	AIR CHUCK, LOCKING
10	2	S130385	MAGNETIC HOSE HOOK
11	1	S130403	ADD ON SMARTFILL BOX ASSEMBLY



ITEM	QTY	PART NO.	DESCRIPTION
1	1	S100196	REPLACEMENT LIGHT KIT (2 LIGHTS PER KIT)



**Rotary World Headquarters**

2700 Lanier Drive  
 Madison, IN 47250, USA  
[www.rotarylif.com](http://www.rotarylif.com)

**North America Contact Information**

Tech. Support:  
 p 800.445.5438  
 f 800.578.5438  
 e [userlink@rotarylif.com](mailto:userlink@rotarylif.com)  
 Sales:  
 p 800.640.5438  
 f 800.578.5438  
 e [userlink@rotarylif.com](mailto:userlink@rotarylif.com)

**World Wide Contact Information**

World Headquarters/USA: 1.812.273.1622  
 Canada: 1.905.812.9920  
 European Headquarters/Germany: +49.771.9233.0  
 United Kingdom: +44.178.747.7711  
 Australasia: +60.3.7660.0285  
 Latin America / Caribbean: +54.3488.431.608  
 Middle East / Northern Africa: +49.771.9233.0

**© Vehicle Service Group<sup>SM</sup>**

Printed in U.S.A., All Rights Reserved. Unless otherwise indicated, ROTARY, and all other trademarks are property of Dover Corporation and its affiliates.

