



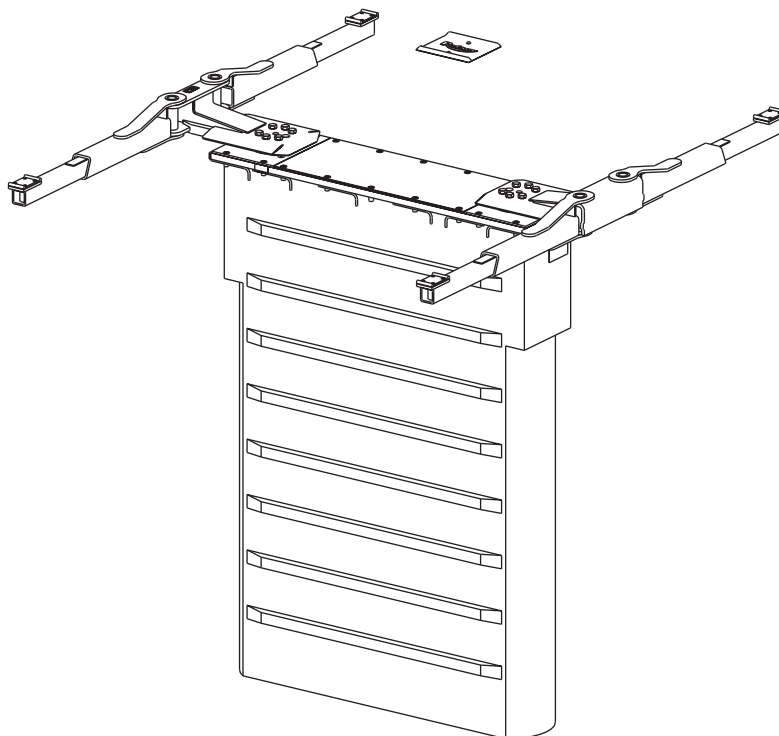
World Leader in Lift Productivity

SL29/SL212

(400 Series)

SL29 Capacity 9,000 lbs.

SL212 Capacity 12,000 lbs.



P
A
R
T
S

B
R
E
A
K
D
O
W
N

IMPORTANT: When ordering parts or requesting service always give exact model and power unit serial number. Model number is shown on nameplate attached to air lock release valve. Power unit serial number is located on side of power unit.

OWNERS RECORD
Complete information at right and keep in a safe place.

Date Installed _____

Installed in Bay # _____

Power Unit Serial # _____

Power Unit Model # _____

Lift Serial # _____

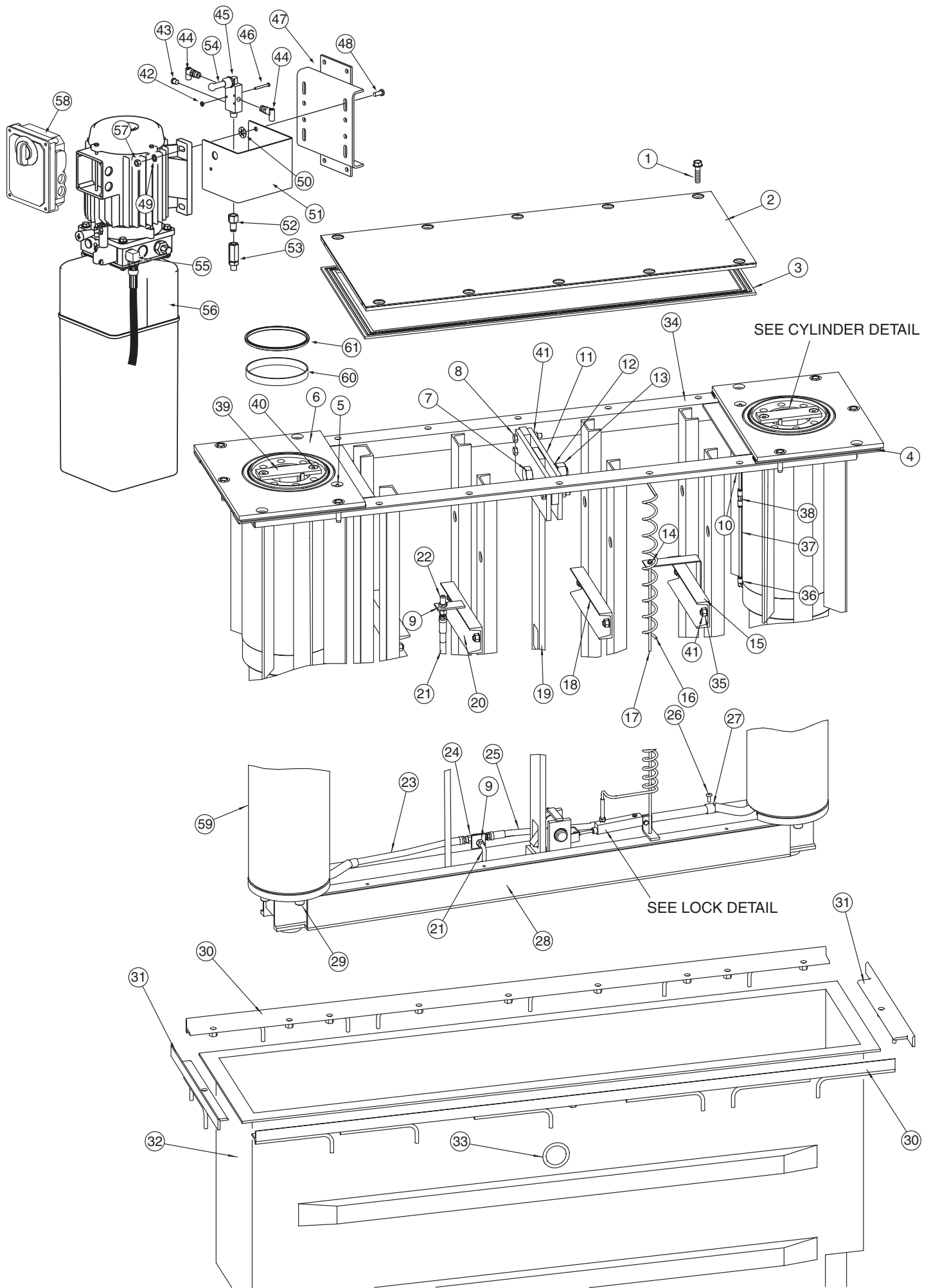
Lift Model # _____

NOTE: For replacement parts -See your nearest Rotary Parts Distributor.

PB5-10-1-1
Rev. A 07/8/2003

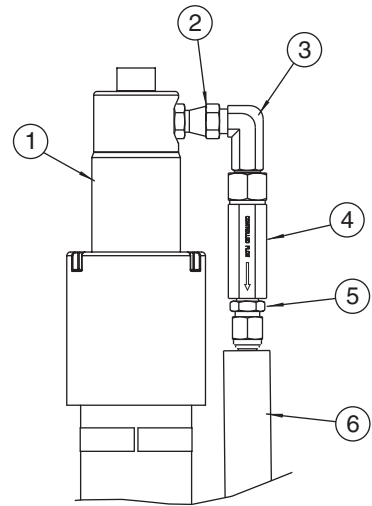
LP20093

ITEM #	DESCRIPTION	PART#	QTY.
1	1/2"-13NC x 2" Self Tap, Grade5, Plated Full Thread	40268	20
2	Cover Plate	T120190	1
3	Center Gasket	T140125	1
4	Guide Barrel Gasket	T140131	2
5	Zerk Fitting L#5000 1/8" Pipe	T140007	2
6	Guide Barrel Assembly (with Nylon Tubes and Fittings)	T110149	2
7	1-1/8"-7NC x 3" HHCS, Grade 5, Plated	40606	1
8	1/2"-13NC x 2-1/2" HHCS, Grade 5	40338	4
9	9/16" Internal Tooth Lockwasher, Plated	40998	2
10	Male Connector for Nylon Tube	FC5225-47	2
11	Latch Bar Plate	T130342	2
12	1-1/8" Internal Tooth Lock Washer, Plated	40608	1
13	1-1/8"-7NC Hex Nut, Plated	40607	1
14	1/4"-20NC Hex Jam Nut	40640	2
15	Conduit Bracket Assembly	T120157	1
16	Air Coil Hose	T140096	1
17	Air Coil Hose Rod	T130338	1
18	Short Tie Channel	T130345	2
19	Latch Bar	T130341	1
20	Hose Bracket Assembly	T120158	1
21	Vertical Hose	T140130	1
22	Bulkhead Adapter	T140132	1
23	Short Plunger Hose	T140129	1
24	SS Bulkhead Union Tee	T140134	1
25	Long Plunger Hose	T140128	1
26	5/16"-18NC x 3/8" Phillips Pan Head Machine Screw, Plated	40227	3
27	Hose Clip	FJ7499	3
28	Equalizer	T120159	1
29	5/8" Helical Spring Lockwasher, Plated	40961	12
	5/8"-11NC x 2-1/2" Hex Socket Head Cap Screw	40343	12
30	Anchor Frame Side	T120198	2
31	Anchor Frame End	T120197	2
32	Containment (with Uniseal hole drilled)	T140124	1
33	2" Uniseal	T140023	1
34	Frame Weldment	T120164	1
35	1/2"-13NC x 1" HHCS, Grade 5	40261	8
36	Guide Barrel Fitting Kit	T100147	2
37	1/4" Nylon Tube (11-1/8" long)	T130191	6
38	Union Tee	FC5225-46	2
39	Lift Bar Weldment	T120166	2
40	1/2"-13NC x 1-1/4" Countersunk Socket Head Cap Screw	40337	4
41	1/2"-13NC Hex Flanged Whizlock Nut, Plated	40704	8
42	#8-32NC Nylon Insert Lock Nut	40649	1
43	Brass Filter	T140075	1
44	Swivel Elbow	T140074	2
45	Air Lock Valve	T140073	1
46	#8-32NC x 1-1/2" Rnd Head Machine Screw	40007	1
47	Power Unit Wall Bracket	T120020	1
48	5/16"-18NC x 1-1/2" HHCS Zinc Plated	40271	4
49	5/16" Ext. Tooth Lock Washer Plated	40854	4
50	5/16" Push Nut	FC5209	4
51	Air Lock Valve Mounting Bracket	T130187	1
52	1/4" Push-In 1/4" NPT Female Fitting	T140081	1
53	Filter	FA3134-12	1
54	Air Lock Valve Handle	T140119	1
55	Elbow	FJ7224	1
56	SL29		
	1Ø 60 Hz. Power Unit	P1352	1
	3Ø 50/60Hz. Power Unit	P1353	1
	SL212		
	1Ø 60 Hz. Power Unit	P1302	1
	3Ø 50/60Hz. Power Unit	P1347	1
57	5/16"-18NC Hex Nut	40670	4
58	Capacitor Box (with Drum Switch) All Voltages	FA7203	1
	M5 x 10 PHMS, Plated	40275	4
59	Plunger	T120161	2
60	Bearing	T140148	2
61	Wiper Seal	T140118	2



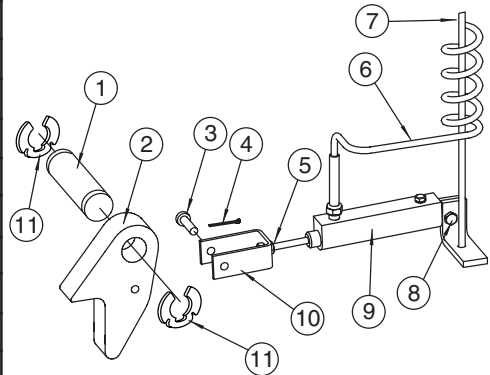
CYLINDER DETAIL

ITEM#	DESCRIPTION	PART#	QTY.
1	Hydraulic Cylinder	N367	2
2	Swivel Adapter	T140133	2
3	Long Elbow - #6	T140126	2
4	Flow Control	T140139	2
5	Lenz 3105-6-4 Adapter	16094	2
6	Hose Support Tube	T140127	2



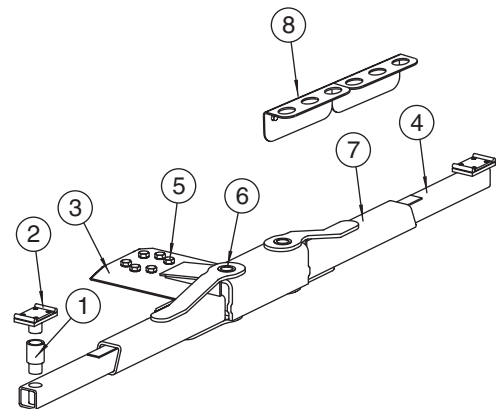
LOCK DETAIL

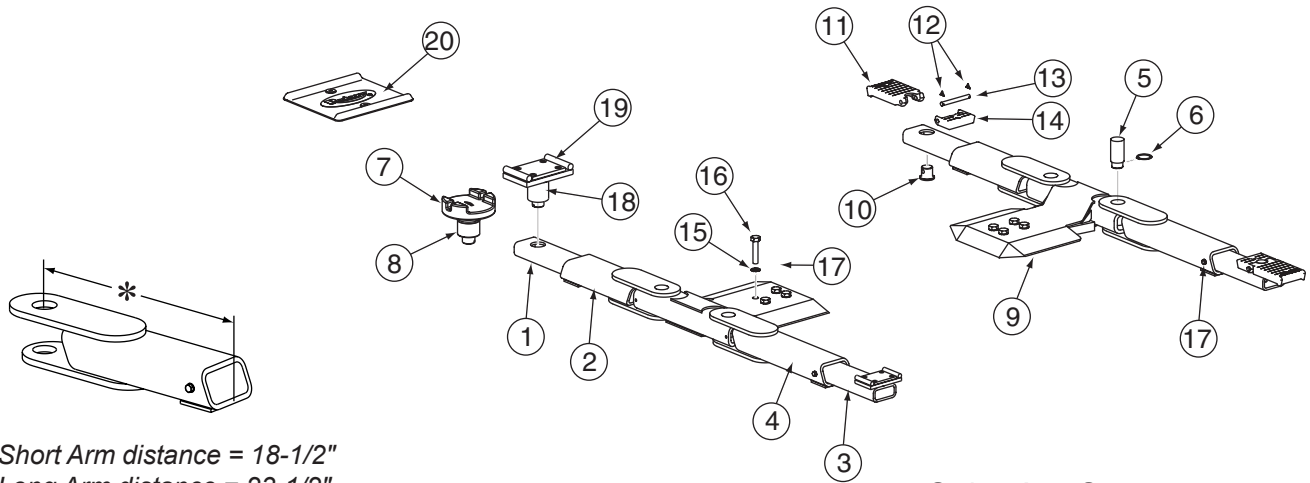
ITEM#	DESCRIPTION	PART#	QTY.
1	Latch Shaft	T130350	1
2	Locking Latch	T130348	1
3	Latch Clevis Pin, Plated	T140135	1
4	1/16" x 3/4" Lg. Cotter Pin	41606	1
5	1/4"-28NF Hex Nut, Plated	40648	2
6	Air Coil Hose	T140096	1
7	Air Coil Hose Rod	T130338	1
8	1/4"-20NC x 1-1/4" HHCS, Grade 2	40115	1
	1/4"-20NC Hex Nylon Insert Locknut	40642	1
9	Air Cylinder	T140062	1
10	Clevis	T130349	1
11	Retaining Ring TRUARC #5304-125	41417	2



SL212 ARM DETAIL

ITEM#	DESCRIPTION	PART#	QTY.
1	4" Extension	FJ6143	4
	8" Extension	FJ6144	2
2	Adapter Assembly	FJ6158	4
3	Yoke Weldment	T120152	2
4	Inner Arm	T120150	4
5	7/8"-9NC x 3-1/2" HHCS, Grd 5, Plated	40498	12
	7/8" External Tooth Lockwasher, Plated	41072	12
6	Arm Pin	T120153	4
	3/16" x 3" Cotter Pin	41253	4
7	Outer Arm	T120151	4
8	Extension Rack	FJ6145	2



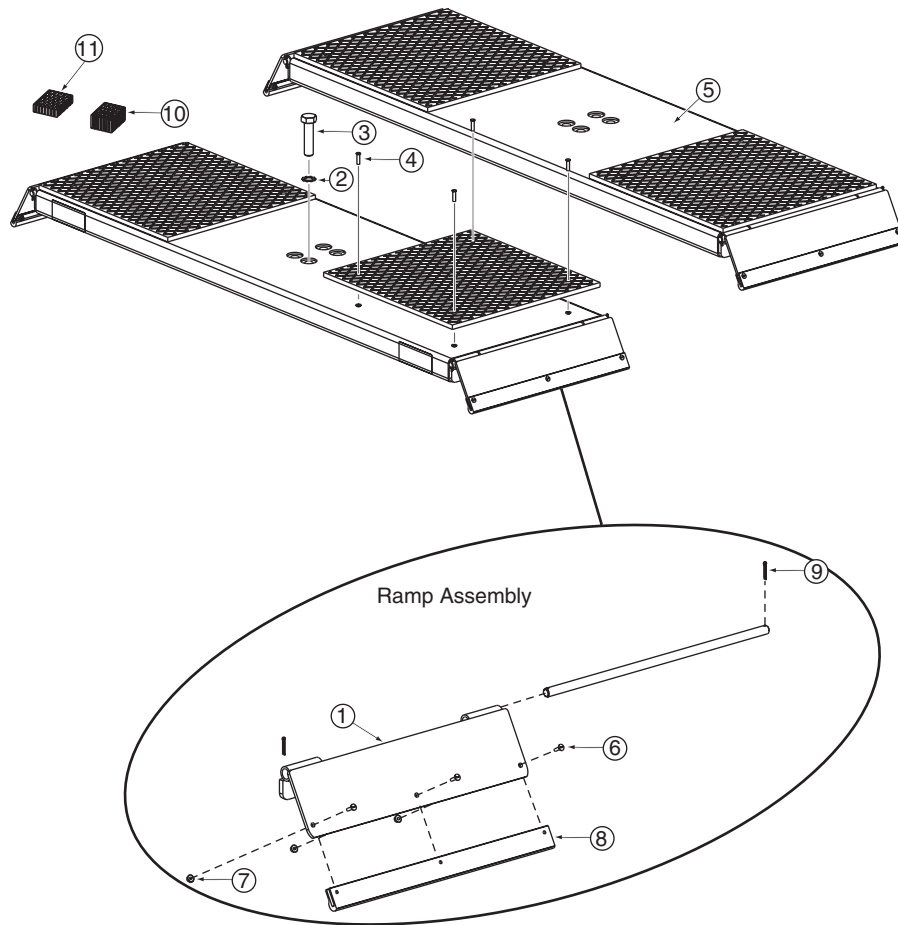


* Short Arm distance = 18-1/2"
 Long Arm distance = 23-1/2"

Swing Arm Superstructure

SL29 ARM DETAIL

ITEM	DESCRIPTION	PART #	QTY. (Per Lift)
1	*Short Inner Arm (Rubber Pad Adapters)	T120143	2
	*Short Inner Arm (Flip-Up Adapters)	T120142	2
2	*Short Outer Arm	T120141	2
3	*Long Inner Arm (Rubber Pad Adapters)	FJ7866-1	2
	*Long Inner Arm (Flip-Up Adapters)	FJ7150-2	2
4	*Long Outer Arm	T120138	2
5	Arm Pin	T140114	4
6	Rotor Clip	T140115	4
7	Rubber Pad	FJ6161-1	4
8	Adapter Assembly	FJ6161	4
9	Yoke	T120196	2
10	Adapter Swivel Pin	FJ79-6	4
11	High Step Adapter	FJ671-1	4
12	3/32" Hog Ring for 1/2" Shaft	FJ671-6	8
13	Adapter Pin	FJ671-3	4
14	Low Step Adapter	FJ671-2	4
15	7/8" External Tooth Lockwasher, Plated	41072	8
16	7/8"-9NC x 3-1/2" HHCS, Grd 5, Plated	40498	8
17	3/8"-16NC x 5/8" HHCS Grade 8 Plated	40155	4
	3/8" Internal Tooth Lockwasher	40843	4
18	Adapter Assembly	FJ6159	4
19	Rubber Pad	FJ6158-4	4
20	Wheel Spotting Dish Assembly	FF729	1



SL29 FIXED PAD SUPERSTRUCTURE DETAIL

ITEM#	DESCRIPTION	PART#	QTY.
1	Ramp Weldment	N2135	2
2	7/8" External Tooth Lockwasher, Plated	41072	8
3	7/8"-9NC x 3-1/2" HHCS, Grd 5, Plated	40498	8
4	1/2" x 1" SD12BS Blind Pop Rivets	41351	16
5	Pad Weldment	T120203	2
6	#10-24NC x 3/4" SLTRUSSHMS Plated	40050	12
7	#10-24NC FI Whizlock Nut Plated	40633	12
8	20" Chock Slide	FC134-33	4
9	5/32" x 1" Cotter Pin	41202	8
10	3" Rubber Adapter Pad	FJ2428	6
11	1-1/2" Rubber Adapter Pad	FJ2427	6

This page intentionally left blank

World Headquarters:
Rotary Lift
A  **DOVER** COMPANY
2700 Lanier Drive
Madison, Indiana USA
Phone: 1.800.445.5438
Phone: 1.812.273.1622
Fax: 1.800.578.5438
Fax: 1.812.273.6502
userlink@rotarylif.com
www.rotarylif.com

Italy:
(Regional Sales Office)
Rotary Lift Europe S.r.l.
Cadriano (BO)
Phone: +39.051.763384
Fax: +39.051.763395
info@rotaryeurope.com

Germany:
(European Sales Headquarters)
Rotary Lift Germany GmbH
Bensheim
Phone: +49.6251.582.6420
Fax: +49.6251.582.6422
sales@rotarylif.de

United Kingdom:
(Regional Sales Office)
Rotary Lift (UK) LTD.
Halstead, Essex
Phone: +44.178.747.7711
Fax: +44.178.747.7720
sales@rotarylif.idps.co.uk

Canada:
(Regional Sales Office)
Rotary Lift Canada
Mississauga, Ontario
Phone: 905.812.9920
Fax: 905.812.9719
canada@rotarylif.com

Austral-Asia:
(Regional Sales Office)
Rotary Lift Austral/Asia
Petaling Jaya, Malaysia
Phone: +60.3.7660.0285
Fax: +60.3.7660.0289
rlim@rotarylif.com

